

# Fitting Instructions



SKU

**T7P823**

PRODUCT

**TAG Heavy Duty Towbar  
for MG HS (10/2019 - ON)**

SPECIFICATIONS

- Towbar Class: CL 4 Heavy Duty
- Towing Capacity: 1750kg
- Tow ball Weight: 150kg
- Approx. Fitment Time: 90 Minutes



Scan for latest  
version of these  
instructions

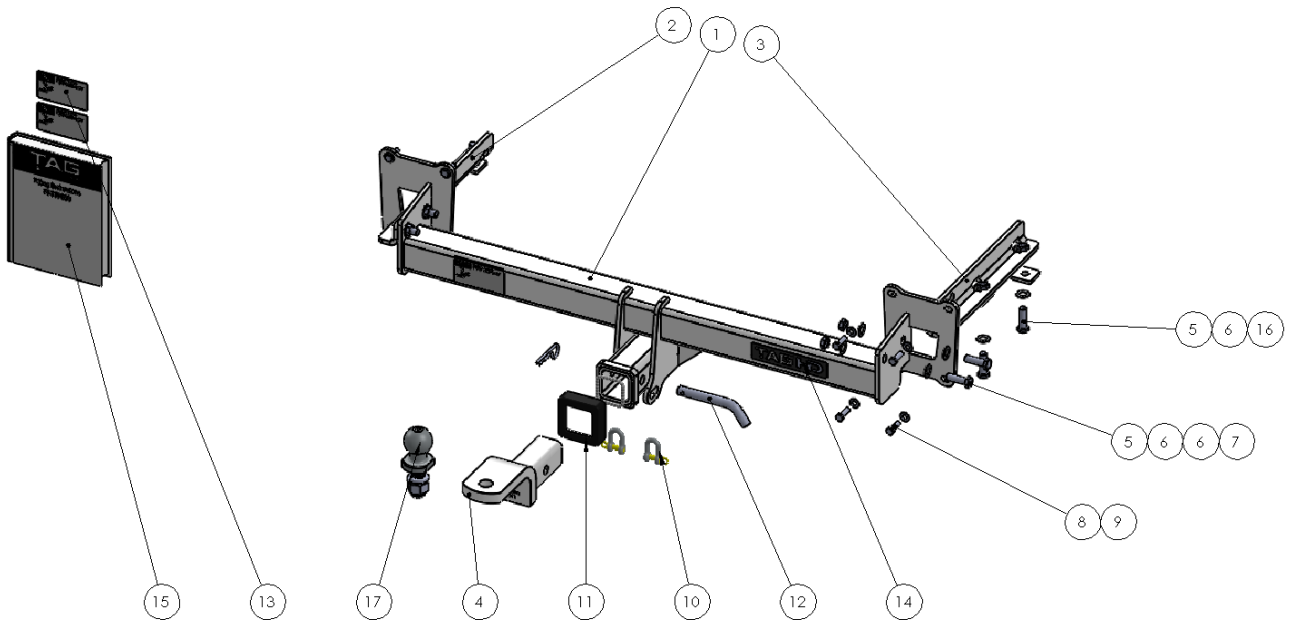
TOOLS REQUIRED

- Spanners
- Sockets
- Air Saw or similar.
- Trim Removal Tool
- Torque Wrench

IN THIS GUIDE

- Fitment Instructions
- Torque Settings
- Warranty Info

# Towbar Assembly



ITEM NO.	DESCRIPTION	QTY.	ITEM NO.	DESCRIPTION	QTY.
1	Welded Assembly for T7P823	1	10	D-Shackle - 10mm. 1000kg,	2
2	Welded Endplate Assembly	1	11	TAG Hitch Cover	1
3	Welded Endplate Assembly DS	1	12	Class 4 Pin & Clip	1
4	TAG Tow Ball Mount - L4120,	1	13	TAG Compliance Sticker	3
5	M12 x 1.25 x 40 Bolt	8	14	TAG HD Sticker 150 x 33mm	1
6	M12 Flat Washer	12	15	Fitting Instruction	1
7	M12 x 1.25 Nut	4	16	Top Plate - 40x40x6	2
8	M8 x 1.25 x 30 Set Screw	8	17	50mm TAG Tow Ball with Flat edge	1
9	M8 Flat Washer	8			

# Important Information



## Warning:

- This product is for towing purposes only and must only be loaded as shown in your vehicle Owner's Manual.
- This towbar is NOT to be drilled, cut, welded, or modified in any way.
- Check behind chassis rail and body panels before drilling to ensure no hazards are present.
- All load ratings shown are under the assumption your trailer has a functional braking system installed.
- When installed in positions other than the one depicted in these instructions the Tow Ball Mount may interfere or obstruct certain features of your vehicle (tailgate opening, Chassis clearance, etc.)

## General:

- Before fitting this towbar read fitting instructions and check installation hardware is correct.
- Check that the towbar is suitable for the vehicle and be wary of any changes to the vehicle design that may conflict with the fitting of this towbar. (Tray, Canopy, Suspension etc.)
- After drilling, blow any filings clear, remove any burrs and treat exposed metal with a rust inhibitor.
- The high tensile fasteners supplied with this product are an integral feature to achieving the specified rating, if replacement is required ensure that fasteners of the same grade (8.8) & quality are used. Contact an authorised TAG distributor or the TAG fitment center - (07) 3208 3022 - if further information is required.

## Towbar Maintenance and Care:

It is recommended, when not in use, the Tow Ball Mount assembly and class 4 Pin and Clip is stored inside the car away from moisture to prevent standing water from forming rust. Inspect to ensure, on regular basis, fasteners are torqued to the specifications below and in good condition.

Ensure that the fitting instructions are read and understood prior to fitment, Following the fitment place these instructions in the vehicle's glovebox after installation is completed.

*Metric Bolt Torque Settings*

Diameter	Pitch	Grade	Torque	Unit		Diameter	Pitch	Grade	Torque	Unit
M8	1.25	8.8	29	Nm		M12	1.25	10.9	125	Nm
M10	1.25	8.8	57	Nm		M12	1.50	10.9	105	Nm
M10	1.50	8.8	44	Nm		M14	1.25	10.9	195	Nm
M12	1.25	8.8	101	Nm		M14	1.50	10.9	165	Nm
M12	1.50	8.8	97	Nm		M16	1.25	10.9	295	Nm
M12	1.75	8.8	77	Nm		M16	1.50	10.9	250	Nm
M14	2.00	8.8	122	Nm		50mm Tow Ball	N/A	N/A	300	Nm
M16	2.00	8.8	190	Nm		70mm Tow Ball	N/A	N/A	750	Nm

# Installation Instructions



## Step 1: Remove Rear Bumper

- a. Lift the tailgate.
  - b. Remove the circular plastic covers from each taillight assembly to reveal 2 screws. Remove screws.
  - c. Remove taillight assemblies' rearward and place in a safe location.
  - d. Remove 1x screw from the rearward face of each wheel arch.
- \*Warning: The body clip housings on the trim are fragile. To aid in releasing the clips from the body, peel the wheel arch liner back to reveal the back of the body clips and pinch to release.**
- e. Beginning at the rear door carefully remove the wheel arch trim away from the body to reveal 1x screw. Remove screw. Repeat on opposite side.
  - f. Remove 2x screws from the rearmost lower edge of the bumper.
  - g. Beginning at each wheel arch, carefully peel the bumper away from the metal body.
  - h. Disconnect the harness from each reverse sensor plus any other light connection. Set bumper aside for later refitment.
  - i. Remove crash bar from rear panel via 3x M10 bolts & 1x M10 nut per side. Discard crash bar & fasteners.



# Installation Instructions



## Step 2: Fit Towbar

- Lift the main bar assembly up to the rear panel and loosely fasten with 4x M8x 1.25x 30 bolts & flat washers per side.
- Insert the end plate assemblies through the towbar and the chassis openings of the rear panel and align with the holes in the base of the chassis.
- Insert 1x M12x 1.25x 40 bolt with flat washer into rear most hole. Insert 1x M12x 1.25x 40 bolt with 6mm flat plate & flat washer into forward most hole. Repeat on opposite side. Leave all bolts loose.
- Loosely fasten the end plates to the main bar with 2x M12x 1.25x40 bolts, washers & nuts per side.
- Tighten all bolts to the torque specification on page 3.



# Installation Instructions



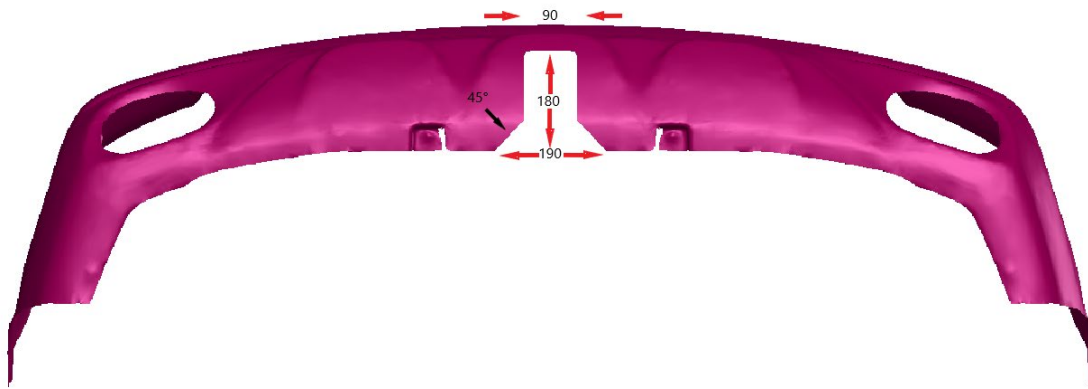
---

## Step 3: Cut Bumper

---

**Note:** The towbar installer is ultimately responsible for the location & quality of the bumper cut. To avoid mistakes, please use the following measurements as a guide only. We suggest making small incremental cuts and regularly test-fit the bumper to ensure an accurate and tidy appearance. The additional application of rubber pinch-weld around the cut edge ensures a neat & tidy look.

- a. Establish the centre of the bumper.
- b. Measure & mark the bumper as per the diagram.
- c. Cut the bumper using an air saw or similar device. Deburr all cut edges.
- d. Re-fit bumper in reverse of steps 1a-i.



---

## Step 4: Complete Towbar & Apply Spare Compliance Label

---

- a. Attach TAG Hitch cover with rubber mallet carefully to prevent breaking.
- a. Attach Tow ball to Ball Mount and slide hitch into towbar and secure with Pin and Clip if you are going to tow straight away, alternatively secure Ball Mount in a safe place inside your car.
- b. Apply one of the compliance labels to the pillar of the driver's door. Leave the remaining label and the fitting instructions in the vehicle handbook.



# TAG Warranty Statement



SWD warrants your TAG Towbar for its full product life under the following conditions:

- You can show proof of purchase.
- The towbar has been correctly installed by a suitably qualified installer.
- The towbar has not been modified or abused in any way and has only been used for the purpose intended.
- The towbar was not fitted second hand to your vehicle.

The extent of this warranty includes materials and workmanship used in the manufacture of the towbar and is to the equivalent value of current, full replacement cost.

Nothing stated or implied in this warranty limits in any way, the statutory rights that you may have.

To make a claim visit the original installer in the first instance or, if you are unable to or are not satisfied with their help, then contact us direct by phone on 1300 669122 or visit [www.swd.com.au](http://www.swd.com.au).