

Fitting Instructions



SKU

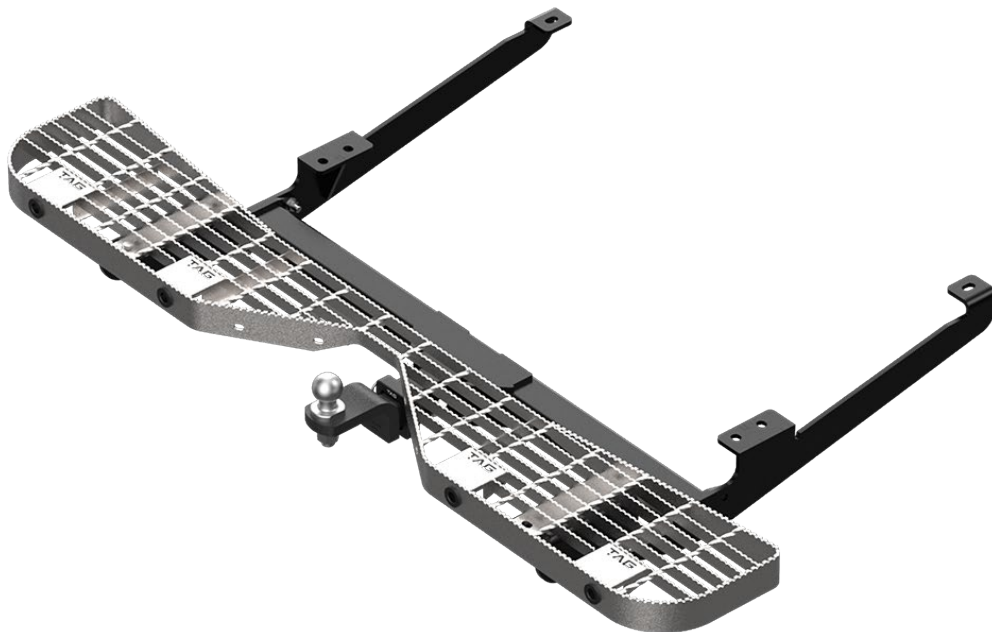
T7P740

PRODUCT

TAG Heavy Duty Towbar & Rear Step for Mitsubishi Express (02/2020 - on), Renault Trafic (05/2014 - on)

SPECIFICATIONS

- Towbar Class: CL 4 Heavy Duty
- Towing Capacity: 2000kg
- Tow ball Weight: 80kg
- Approx. Fitment Time: 60 Minutes



Scan for latest version of these instructions

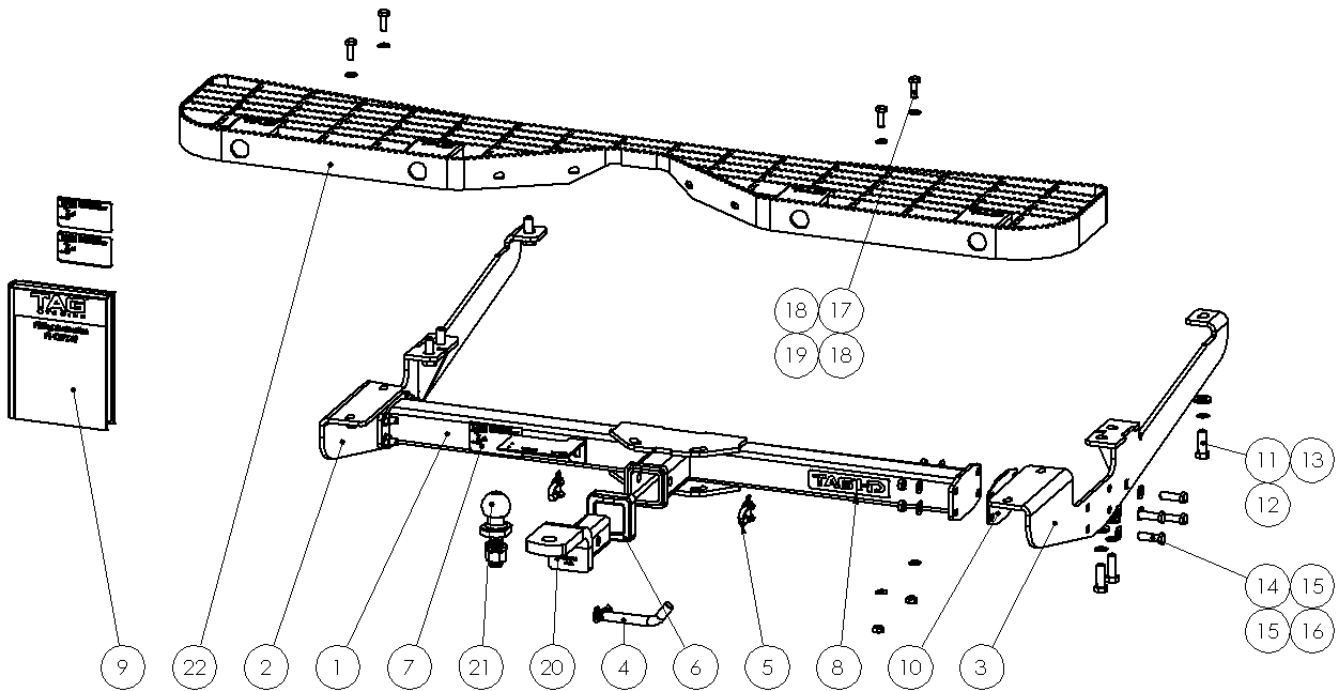
TOOLS REQUIRED

- Spanners
- Sockets
- Air Saw or similar.
- Trim Removal Tool
- Torque Wrench

IN THIS GUIDE

- Fitment Instructions
- Torque Settings
- Warranty Info

Towbar Assembly



ITEM NO.	DESCRIPTION	QTY.	ITEM NO.	DESCRIPTION	QTY.
1	Main Bar Assembly	1	12	M14 Flat Washer	6
2	End Plate Assembly	1	13	M14 Shakeproof Washer	6
3	End Plate Assembly	1	14	M12 x 1.25 x 40 Bolt	8
4	Class 4 Pin & Clip	1	15	M12 Flat Washer	16
5	D-Shackle - 10mm. 1000kg	2	16	M12 x 1.25 Nut	8
6	TAG Hitch Cover	1	17	M10 x 30 x 1.25 Bolt	4
7	TAG Compliance Sticker	3	18	M10 Flat Washer	8
8	TAG HD Sticker 150 x 33mm	1	19	M10 X 1.25 Nut	4
9	Fitting Instruction	1	20	TAG Tow Ball Mount - L4120	1
10	End Cap Spacer	2	21	50mm TAG Tow Ball with Flat edge	1
11	M14 x 1.5 x 40 Hex Set Screw	6	22	TAG Rear Step with Towing Relief	1

Important Information



Warning:

- This product is for towing purposes only and must only be loaded as shown in your vehicle Owner's Manual.
- This towbar is NOT to be drilled, cut, welded, or modified in any way.
- Check behind chassis rail and body panels before drilling to ensure no hazards are present.
- All load ratings shown are under the assumption your trailer has a functional braking system installed.
- When installed in positions other than the one depicted in these instructions the Tow Ball Mount may interfere or obstruct certain features of your vehicle (tailgate opening, Chassis clearance, etc.)

General:

- Before fitting this towbar read fitting instructions and check installation hardware is correct.
- Check that the towbar is suitable for the vehicle and be wary of any changes to the vehicle design that may conflict with the fitting of this towbar. (Tray, Canopy, Suspension etc.)
- After drilling, blow any filings clear, remove any burrs and treat exposed metal with a rust inhibitor.
- The high tensile fasteners supplied with this product are an integral feature to achieving the specified rating, if replacement is required ensure that fasteners of the same grade (8.8) & quality are used. Contact an authorised TAG distributor or the TAG fitment center - (07) 3208 3022 - if further information is required.

Towbar Maintenance and Care:

It is recommended, when not in use, the Tow Ball Mount assembly and class 4 Pin and Clip is stored inside the car away from moisture to prevent standing water from forming rust. Inspect to ensure, on regular basis, fasteners are torqued to the specifications below and in good condition.

Ensure that the fitting instructions are read and understood prior to fitment, Following the fitment place these instructions in the vehicle's glovebox after installation is completed.

Metric Bolt Torque Settings

Diameter	Pitch	Grade	Torque	Unit		Diameter	Pitch	Grade	Torque	Unit
M8	1.25	8.8	29	Nm		M12	1.25	10.9	125	Nm
M10	1.25	8.8	57	Nm		M12	1.50	10.9	105	Nm
M10	1.50	8.8	44	Nm		M14	1.25	10.9	195	Nm
M12	1.25	8.8	101	Nm		M14	1.50	10.9	165	Nm
M12	1.50	8.8	97	Nm		M16	1.25	10.9	295	Nm
M12	1.75	8.8	77	Nm		M16	1.50	10.9	250	Nm
M14	2.00	8.8	122	Nm		50mm Tow Ball	N/A	N/A	300	Nm
M16	2.00	8.8	190	Nm		70mm Tow Ball	N/A	N/A	750	Nm

Installation Instructions



Step 1: Fit Tow Bar

Note to installer: Fitting of this step will inhibit the correct function of the reverse sensors. It is recommended that the provided RSM Kit be used to relocate the OEM reverse sensors onto the step & wiring extended.

To extract sensors, removal of the bumper is required.

- a. Lift PS endplate to the chassis & insert 3x M14x 40 bolts with shakeproof & flat washers into captive threads of chassis. Leave loose.
- b. Repeat on DS.
- c. Lift welded main bar up to end plates and insert 8x M12x 40 bolts with washers & nuts. Leave loose.
 - If there is more than approx. 3mm clearance between the parts on each side, then spacers will be required.
 - If the clearance is less than this, spacers will not be required between the parts.
- d. Mount the step onto the bracket /step assemblies and insert 4x M10x 30 bolts with flat washers & nuts. Leave loose.
- e. Tighten the M14 chassis bolts. Followed by M12 main bar bolts according to the torque specification on page 3..
- f. Align the step with the bumper and tighten the M10 step bolts.



Installation Instructions



Step 2: Complete Towbar & Apply Spare Compliance Label

- a. Attach TAG Hitch cover with rubber mallet carefully to prevent breaking.
- a. Attach Tow ball to Ball Mount and slide hitch into towbar and secure with Pin and Clip if you are going to tow straight away, alternatively secure Ball Mount in a safe place inside your car.
- b. Apply one of the compliance labels to the pillar of the driver's door. Leave the remaining label and the fitting instructions in the vehicle handbook.



TAG Warranty Statement



SWD warrants your TAG Towbar for its full product life under the following conditions:

- You can show proof of purchase.
- The towbar has been correctly installed by a suitably qualified installer.
- The towbar has not been modified or abused in any way and has only been used for the purpose intended.
- The towbar was not fitted second hand to your vehicle.

The extent of this warranty includes materials and workmanship used in the manufacture of the towbar and is to the equivalent value of current, full replacement cost.

Nothing stated or implied in this warranty limits in any way, the statutory rights that you may have.

To make a claim visit the original installer in the first instance or, if you are unable to or are not satisfied with their help, then contact us direct by phone on 1300 669122 or visit www.swd.com.au.