

Fitting Instructions



SKU

T7T743

PRODUCT

TAG Heavy Duty Towbar & Rear Step for Toyota Hiace (02/2019 - on), Hiace/Commuter (02/2019 - on)

SPECIFICATIONS

- Towbar Class: CL 4 Heavy Duty
- Towing Capacity: 1900kg
- Tow ball Weight: 190kg
- Approx. Fitment Time: 90 Minutes



Scan for latest version of these instructions

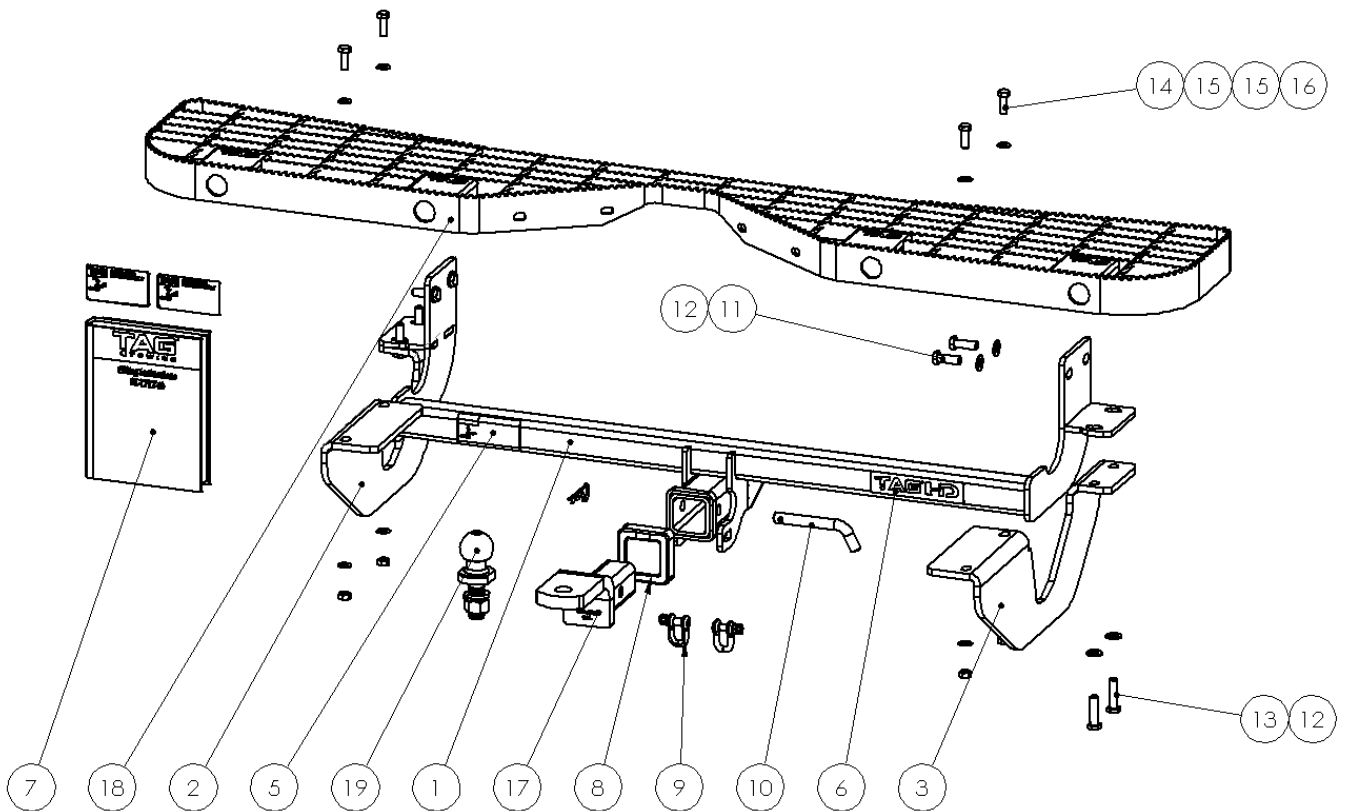
TOOLS REQUIRED

- Spanners
- Sockets
- Air Saw or similar.
- Trim Removal Tool
- Torque Wrench

IN THIS GUIDE

- Fitment Instructions
- Torque Settings
- Warranty Info

Towbar Assembly



Item No.	Description	QTY.	Item No.	Description	QTY.
1	Main Bar Assembly	1	11	M12 x 1.25 x 35 Bolt	4
2	Rear Step Bracket PS	1	12	M12 Flat Washer	8
3	Rear Step Bracket DS	1	13	M12 x 1.25 x 45 Bolt	4
4	TAG Compliance Sticker	2	14	M10 x 30 x 1.25 Bolt	4
5	TAG Compliance Sticker	1	15	M10 Flat Washer	8
6	TAG HD Sticker 150 x 33mm	1	16	M10 x 1.25 Nut	4
7	Fitting Instruction	1	17	TAG Tow Ball Mount - L4120	1
8	TAG Hitch Cover	1	18	TAG Rear Step with Towing Relief	1
9	D-Shackle - 10mm. 1000kg	2	19	50mm TAG Tow Ball with Flat Edge	1
10	Class 4 Pin & Clip	1			

Important Information



Warning:

- This product is for towing purposes only and must only be loaded as shown in your vehicle Owner's Manual.
- This towbar is NOT to be drilled, cut, welded, or modified in any way.
- Check behind chassis rail and body panels before drilling to ensure no hazards are present.
- All load ratings shown are under the assumption your trailer has a functional braking system installed.
- When installed in positions other than the one depicted in these instructions the Tow Ball Mount may interfere or obstruct certain features of your vehicle (tailgate opening, Chassis clearance, etc.)

General:

- Before fitting this towbar read fitting instructions and check installation hardware is correct.
- Check that the towbar is suitable for the vehicle and be wary of any changes to the vehicle design that may conflict with the fitting of this towbar. (Tray, Canopy, Suspension etc.)
- After drilling, blow any filings clear, remove any burrs and treat exposed metal with a rust inhibitor.
- The high tensile fasteners supplied with this product are an integral feature to achieving the specified rating, if replacement is required ensure that fasteners of the same grade (8.8) & quality are used. Contact an authorised TAG distributor or the TAG fitment center - (07) 3208 3022 - if further information is required.

Towbar Maintenance and Care:

It is recommended, when not in use the Tow Ball Mount assembly and class 4 Pin and Clip is stored inside the car away from moisture to prevent standing water from forming rust. Inspect to ensure, on regular basis, fasteners are torqued to the specifications below and in good condition.

Ensure that the fitting instructions are read and understood prior to fitment, Following the fitment place these instructions in the vehicle's glovebox after installation is completed.

Metric Bolt Torque Settings

Diameter	Pitch	Grade	Torque	Unit		Diameter	Pitch	Grade	Torque	Unit
M8	1.25	8.8	29	Nm		M12	1.25	10.9	125	Nm
M10	1.25	8.8	57	Nm		M12	1.50	10.9	105	Nm
M10	1.50	8.8	44	Nm		M14	1.25	10.9	195	Nm
M12	1.25	8.8	101	Nm		M14	1.50	10.9	165	Nm
M12	1.50	8.8	97	Nm		M16	1.25	10.9	295	Nm
M12	1.75	8.8	77	Nm		M16	1.50	10.9	250	Nm
M14	2.00	8.8	122	Nm		50mm Tow Ball	N/A	N/A	300	Nm
M16	2.00	8.8	190	Nm		70mm Tow Ball	N/A	N/A	750	Nm

Installation Instructions

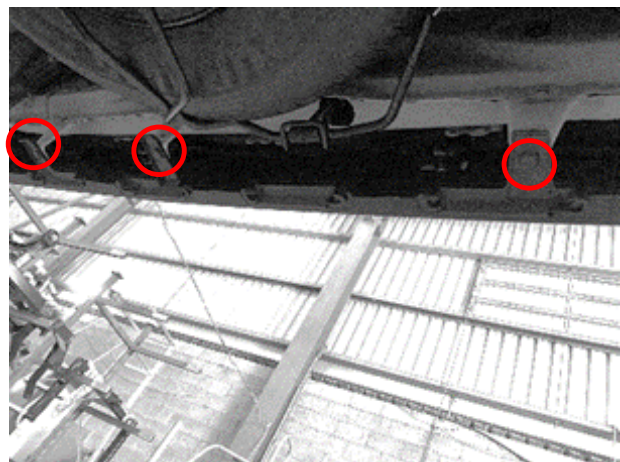
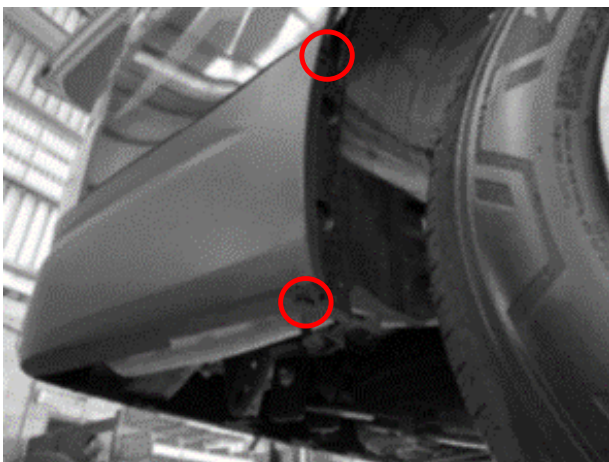
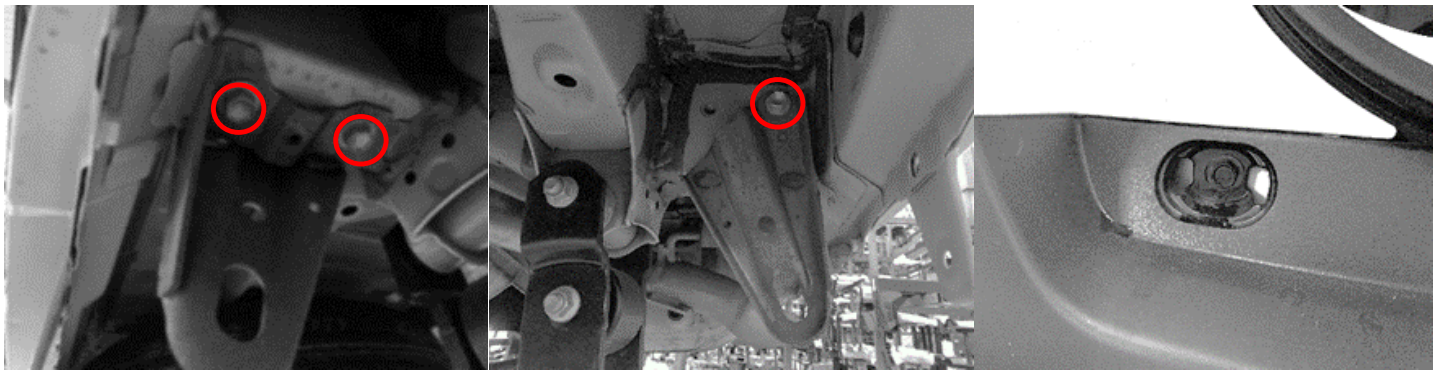


Step 1: Remove Rear Bumper & Tow Hooks

Note to installer: Fitting of this step will inhibit the correct function of the reverse sensors. It is recommended that the provided RSM Kit be used to relocate the OEM reverse sensors onto the step & wiring extended.

- a. Remove & discard the tow hooks and bolts from chassis rails.
- b. Disconnect the wiring loom.
- c. Remove plastic clips securing the rear bumper around the bottom edge and inside the wheel arches.
- d. Open tail gate and remove plastic covers to expose screws & remove.
- e. Beginning at the wheel arch, carefully pry the bumper away from the vehicle and remove.

Place bumper and all fasteners aside.



Step 2: Fit Towbar

- a. Lift towbar to rear of vehicle and loosely secure using 2x M12 bolts with washers per side into the holes on the inside of each chassis.



Step 3: Cut Bumper

Note: The towbar installer is ultimately responsible for the location & quality of the bumper cut. To avoid mistakes, please use the following measurements as a guide only. We suggest making small incremental cuts and regularly test-fitting the bumper to ensure an accurate and tidy appearance. The additional application of rubber pinch-weld around the cut edge ensures a neat & tidy look.

- a. Establish the centre of the bumper.
- a. Mark the cut-out 90mm wide x 40mm deep from the bottom lip of the bumper.
- b. Cut the bumper using an air hacksaw or other suitable cutting device.
- c. De-burr all cut edges.
- d. Refit bumper.

Step 4: Fit Step Brackets & Step.

- a. Mount step brackets to underside of towbar chassis plates & fasten loosely with M12 bolts & washers.
- b. Mount step to step brackets & insert M10 bolts & washers. Loosely secure with M10 nuts & washers.
- c. Align step to bumper & tighten all M10 step bolts.



Step 5: Complete Towbar & Apply Spare Compliance Label

- a. Attach TAG Hitch cover with rubber mallet carefully to prevent breaking.
- b. Attach Tow ball to Ball Mount and slide hitch into towbar and secure with Pin and Clip if you are going to tow straight away, alternatively secure Ball Mount in a safe place inside your car.
- c. Apply one of the compliance labels to the pillar of the driver's door. Leave the remaining label and the fitting instructions in the vehicle handbook.



TAG Warranty Statement



SWD warrants your TAG Towbar for its full product life under the following conditions:

- You can show proof of purchase.
- The towbar has been correctly installed by a suitably qualified installer.
- The towbar has not been modified or abused in any way and has only been used for the purpose intended.
- The towbar was not fitted second hand to your vehicle.

The extent of this warranty includes materials and workmanship used in the manufacture of the towbar and is to the equivalent value of current, full replacement cost.

Nothing stated or implied in this warranty limits in any way, the statutory rights that you may have.

To make a claim visit the original installer in the first instance or, if you are unable to or are not satisfied with their help, then contact us direct by phone on 1300 669122 or visit www.swd.com.au.