

Fitting Instructions



SKU

T4K647

PRODUCT

**TAG Heavy Duty Towbar
for Kia Sportage
(09/2015 - 08/2021)**

SPECIFICATIONS

- Towbar Class: CL 4 Heavy Duty
- Towing Capacity: 1900kg
- Tow ball Weight: 100kg
- Approx. Fitment Time: 90 Minutes



Scan for latest
version of these
instructions

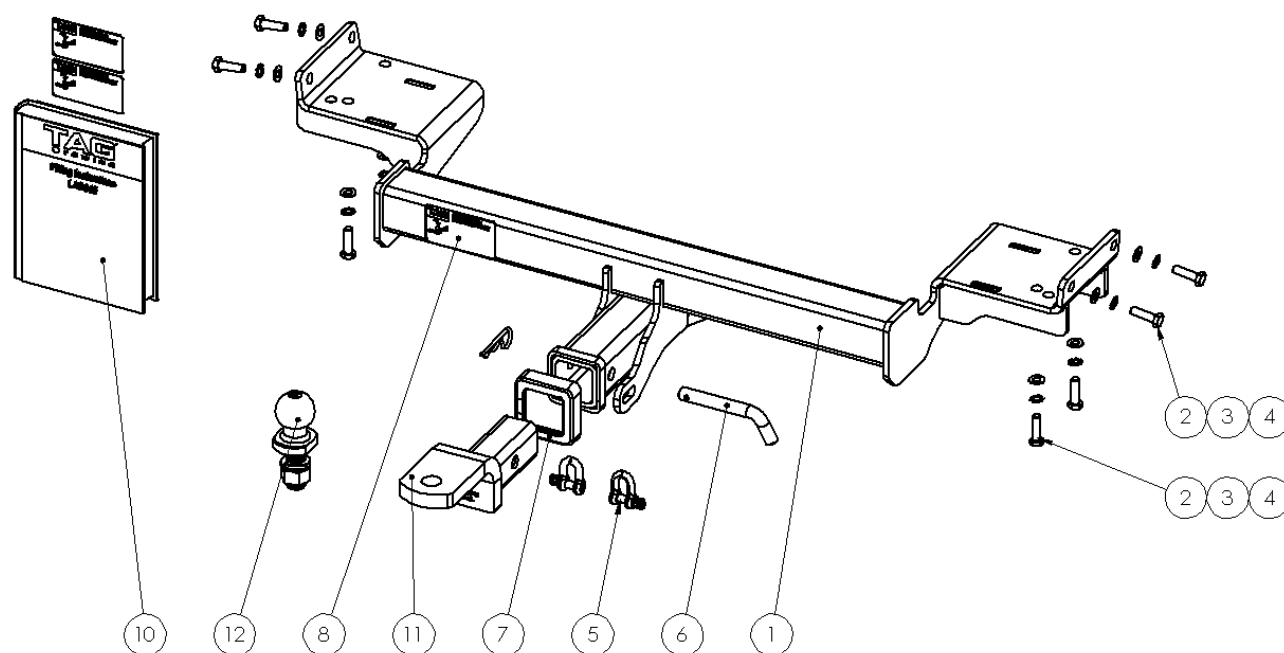
TOOLS REQUIRED

- Spanners
- Sockets
- Air Saw or similar.
- Trim Removal Tool
- Torque Wrench

IN THIS GUIDE

- Fitment Instructions
- Torque Settings
- Warranty Info

Towbar Assembly



Item No.	Description	QTY.	Item No.	Description	QTY.
1	Towbar Assembly	1	7	TAG Hitch Cover	1
2	M10 x 1.25 x 35 Bolt	8	8	TAG Compliance Label	3
3	M10 Shakeproof Washer	8	9	TAG Label	1
4	M10 Flat Washer	8	10	Fitting Instruction	1
5	D-Shackle - 10mm. 1000kg	2	11	TAG Tow Ball Mount - L4120	1
6	Class 4 Pin & Clip	1	12	50mm TAG Tow Ball Chrome Plated (TAG Printed Box)	1

Important Information



Warning:

- This product is for towing purposes only and must only be loaded as shown in your vehicle Owner's Manual.
- This towbar is NOT to be drilled, cut, welded, or modified in any way.
- Check behind chassis rail and body panels before drilling to ensure no hazards are present.
- All load ratings shown are under the assumption your trailer has a functional braking system installed.
- When installed in positions other than the one depicted in these instructions the Tow Ball Mount may interfere or obstruct certain features of your vehicle (tailgate opening, Chassis clearance, etc.)

General:

- Before fitting this towbar read fitting instructions and check installation hardware is correct.
- Check that the towbar is suitable for the vehicle and be wary of any changes to the vehicle design that may conflict with the fitting of this towbar. (Tray, Canopy, Suspension etc.)
- After drilling, blow any filings clear, remove any burrs and treat exposed metal with a rust inhibitor.
- The high tensile fasteners supplied with this product are an integral feature to achieving the specified rating, if replacement is required ensure that fasteners of the same grade (8.8) & quality are used. Contact an authorised TAG distributor or the TAG fitment center - (07) 3208 3022 - if further information is required.

Towbar Maintenance and Care:

It is recommended, when not in use, that the Tow Ball Mount assembly and class 4 Pin and Clip is stored inside the car away from moisture to prevent standing water from forming rust. Inspect to ensure, on regular basis, fasteners are torqued to the specifications below and in good condition.

Ensure that the fitting instructions are read and understood prior to fitment, Following the fitment place these instructions in the vehicle's glovebox after installation is completed.

Metric Bolt Torque Settings

Diameter	Pitch	Grade	Torque	Unit		Diameter	Pitch	Grade	Torque	Unit
M8	1.25	8.8	29	Nm		M12	1.25	10.9	125	Nm
M10	1.25	8.8	57	Nm		M12	1.50	10.9	105	Nm
M10	1.50	8.8	44	Nm		M14	1.25	10.9	195	Nm
M12	1.25	8.8	101	Nm		M14	1.50	10.9	165	Nm
M12	1.50	8.8	97	Nm		M16	1.25	10.9	295	Nm
M12	1.75	8.8	77	Nm		M16	1.50	10.9	250	Nm
M14	2.00	8.8	122	Nm		50mm Tow Ball	N/A	N/A	300	Nm
M16	2.00	8.8	190	Nm		70mm Tow Ball	N/A	N/A	750	Nm



Step 1: Remove Rear Bumper

- a. Lift the tailgate.
- b. On DS remove the plastic cover adjacent to the taillight assembly by popping it inward toward the boot opening.
- c. Remove 2x phillips screws from taillight assembly.
- d. Remove the taillight assembly rearward making sure to disconnect the harness.
- e. Within the taillight recess remove 2 plastic scrivenets.
- f. Remove 4x screws from within the wheel arch.
- g. Under the rear of the vehicle remove 2x screws adjacent to the chassis rail securing the crash bar to the rear panel.
- h. Remove 3x scrivenets from behind the wheel arch and 1x from within the wheel arch.
- i. Remove plastic undertray from behind wheel arch.
- j. Repeat steps 1b-i on opposite side.
- k. Carefully un-clip bumper from vehicle making sure to disconnect the harness. Impact beam comes off with bumper.
- l. Separate impact beam from bumper via 5 scrivenets and clips. Detach wiring harness from impact beam and smart key antenna if fitted.
- m. Discard impact beam.

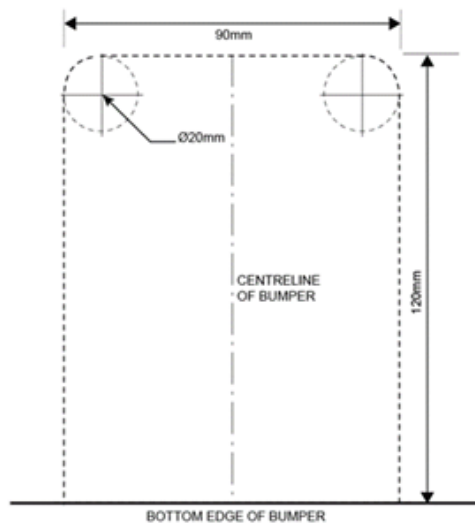
Step 2: Fit Towbar

- a. Lift towbar up to chassis and insert 2x M10 x35 bolts with washers into the outside and 2x M10x35 bolts with washers into the underside of chassis rails. Repeat on opposite side.
- b. Tighten all bolts to torque listing on page 3.

Step 3: Cut Bumper

Note: The towbar installer is ultimately responsible for the location & quality of the bumper cut. To avoid mistakes, please use the following measurements as a guide only. We suggest making small incremental cuts and regularly test fit the bumper to ensure an accurate and tidy appearance. The additional application of rubber pinch-weld around the cut edge ensures a neat & tidy look.

- a. Establish the centre of the bumper.
- b. Mark the cut-out 90mm wide x 120mm deep from the bottom lip of the bumper. See diagram.
- c. Cut the bumper using an air hacksaw or other suitable cutting device.
- d. De-burr all cut edges.
- e. Refit bumper in reverse of steps 1a-k.



Installation Instructions



Step 4: Complete Towbar & Apply Spare Compliance Label

- a. Attach TAG Hitch cover with rubber mallet carefully to prevent breaking.
- b. Attach Tow ball to Ball Mount and slide into receiver. Secure with Pull pin and Clip if you are going to tow straight away. Alternatively, secure the Ball Mount in a safe place inside your vehicle.
- c. Apply one of the compliance labels to the pillar of the driver's door. Leave the remaining label and the fitting instructions in the vehicle handbook.



TAG Warranty Statement



SWD warrants your TAG Towbar for its full product life under the following conditions:

- You can show proof of purchase.
- The towbar has been correctly installed by a suitably qualified installer.
- The towbar has not been modified or abused in any way and has only been used for the purpose intended.
- The towbar was not fitted second hand to your vehicle.

The extent of this warranty includes materials and workmanship used in the manufacture of the towbar and is to the equivalent value of current, full replacement cost.

Nothing stated or implied in this warranty limits in any way, the statutory rights that you may have.

To make a claim visit the original installer in the first instance or, if you are unable to or are not satisfied with their help, then contact us direct by phone on 1300 669122 or visit www.swd.com.au.