

Fitting Instructions



SKU

T6Z688

PRODUCT

**TAG Standard Duty Towbar
for Hyundai Tucson (05/2015 to
02-2021)**

SPECIFICATIONS

- Towbar Class: CL 2 Standard Duty
- Towing Capacity: 1600kg
- Tow ball Weight: 160kg
- Approx. Fitment Time: 90 Minutes



Scan for latest
version of these
instructions

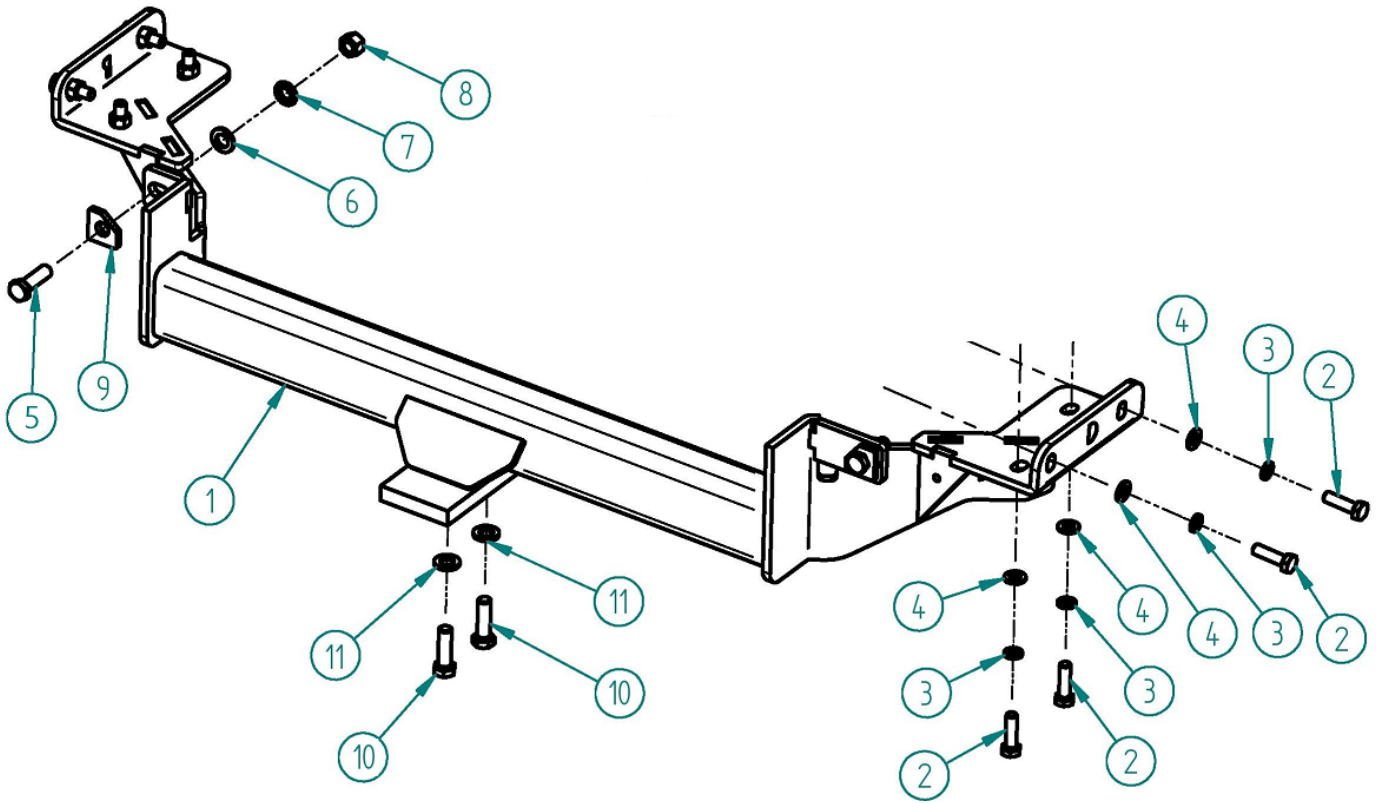
TOOLS REQUIRED

- Spanners
- Sockets
- Trim Removal Tool
- Torque Wrench

IN THIS GUIDE

- Fitment Instructions
- Torque Settings
- Warranty Info

Towbar Assembly



ITEM NO.	DESCRIPTION	QTY.	ITEM NO.	DESCRIPTION	QTY.
1	Towbar T6Z688/T2Z641	1	8	UNC 1/2" Nut	2
2	M10 x 30 x 1.25 Pitch Bolt	8	9	Top Plate	2
3	M10 Shakeproof Washer	8	10	M16 x 40 x 2 Pitch Bolt	2
4	M10 Flat Washer	8	11	M16 Spring Washer	2
5	UNC 1/2" x 1 1/2" UNC Set Screw	2	Not Shown	L201C Tongue	1
6	UNC 1/2" Shakeproof Washer	2	Not Shown	Compliance Plate	3
7	UNC 1/2" Flat Washer	2			

Important Information



Warning:

- This product is for towing purposes only and must only be loaded as shown in your vehicle Owner's Manual.
- This towbar is NOT to be drilled, cut, welded, or modified in any way.
- Check behind chassis rail and body panels before drilling to ensure no hazards are present.
- All load ratings shown are under the assumption your trailer has a functional braking system installed.
- When installed in positions other than the one depicted in these instructions the Tow Ball Mount may interfere or obstruct certain features of your vehicle (tailgate opening, Chassis clearance, etc.)

General:

- Before fitting this towbar read fitting instructions and check installation hardware is correct.
- Check that the towbar is suitable for the vehicle and be wary of any changes to the vehicle design that may conflict with the fitting of this towbar. (Tray, Canopy, Suspension etc.)
- After drilling, blow any filings clear, remove any burrs and treat exposed metal with a rust inhibitor.
- The high tensile fasteners supplied with this product are an integral feature to achieving the specified rating, if replacement is required ensure that fasteners of the same grade (8.8) & quality are used. Contact an authorised TAG distributor or the TAG fitment center - (07) 3208 3022 - if further information is required.

Towbar Maintenance and Care:

It is recommended, when not in use, that the Tow Ball Mount assembly and class 4 Pin and Clip is stored inside the car away from moisture to prevent standing water from forming rust. Inspect to ensure, on regular basis, fasteners are torqued to the specifications below and in good condition.

Ensure that the fitting instructions are read and understood prior to fitment, Following the fitment place these instructions in the vehicle's glovebox after installation is completed.

Metric Bolt Torque Settings

Diameter	Pitch	Grade	Torque	Unit		Diameter	Pitch	Grade	Torque	Unit
M8	1.25	8.8	29	Nm		M12	1.25	10.9	125	Nm
M10	1.25	8.8	57	Nm		M12	1.50	10.9	105	Nm
M10	1.50	8.8	44	Nm		M14	1.25	10.9	195	Nm
M12	1.25	8.8	101	Nm		M14	1.50	10.9	165	Nm
M12	1.50	8.8	97	Nm		M16	1.25	10.9	295	Nm
M12	1.75	8.8	77	Nm		M16	1.50	10.9	250	Nm
M14	2.00	8.8	122	Nm		50mm Tow Ball	N/A	N/A	300	Nm
M16	2.00	8.8	190	Nm		70mm Tow Ball	N/A	N/A	750	Nm

Installation Instructions



Step 1: Remove Spare Wheel, Bumper & Impact Beam

- a. Remove plastic scrivenets from wheel arches [mud flaps if fitted]
- b. Remove 2 x13mm nuts from top inside corner of wheel arche. [retain]
- c. From inside boot remove side trims to access 13mm nuts each side holding bumper to be removed. [retain]
- d. Passenger side to have air box removed first.
- e. Remove spare wheel, 2x pop rivets to be removed as well as 2 x rubber grommets.
- f. Remove bumper carefully pulling out at sides first then rearwards and placing onto stand. [remove bumper pop out section]
- g. Remove impact beam from back of vehicle and retain bolt and nuts only.

Step 2: Fit Towbar

- a. Bolt main section to vehicle using bolt and nuts retained.
- b. Bolt 2x side arms using 4 x 1/2inch bolts nuts and washers/2 x bolts on wire to be inserted into cavity across back section of vehicle.
- c. Tighten all bolts to specified ratings (Pg.2).
- d. Refit bumper onto vehicle / reattach bottom of bumper before spare wheel is replaced.

Step 4: Fit Ball Mount, Ball & Apply Compliance Labels

- a. Fit the ball mount onto the towbar using the M16 bolts & washers.
- b. Attach Tow ball to Ball Mount.
- c. Apply one of the compliance labels to the pillar of the driver's door. Leave the remaining label and the fitting instructions in the vehicle handbook.



TAG Warranty Statement



SWD warrants your TAG Towbar for its full product life under the following conditions:

- You can show proof of purchase.
- The towbar has been correctly installed by a suitably qualified installer.
- The towbar has not been modified or abused in any way and has only been used for the purpose intended.
- The towbar was not fitted second hand to your vehicle.

The extent of this warranty includes materials and workmanship used in the manufacture of the towbar and is to the equivalent value of current, full replacement cost.

Nothing stated or implied in this warranty limits in any way, the statutory rights that you may have.

To make a claim visit the original installer in the first instance or, if you are unable to or are not satisfied with their help, then contact us direct by phone on 1300 669122 or visit www.swd.com.au.