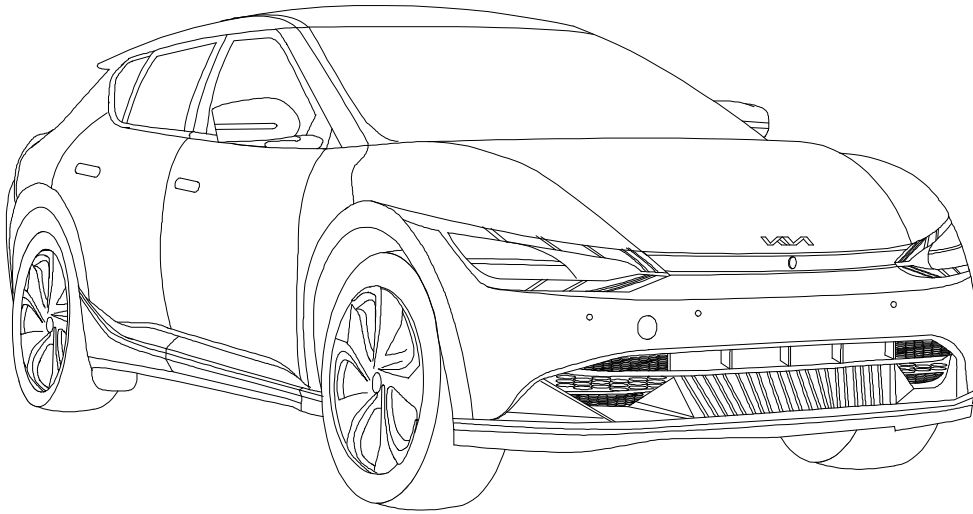




ERICH JAEGER

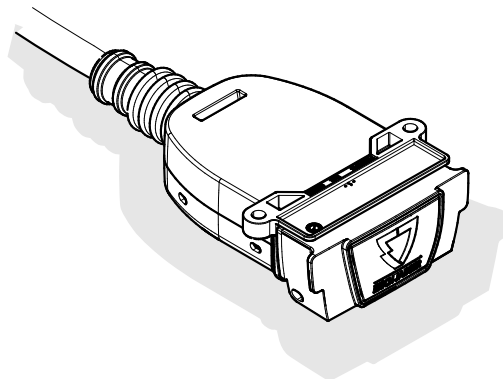
Installation instructions



750158EJ

KIA EV6

10/21 >>



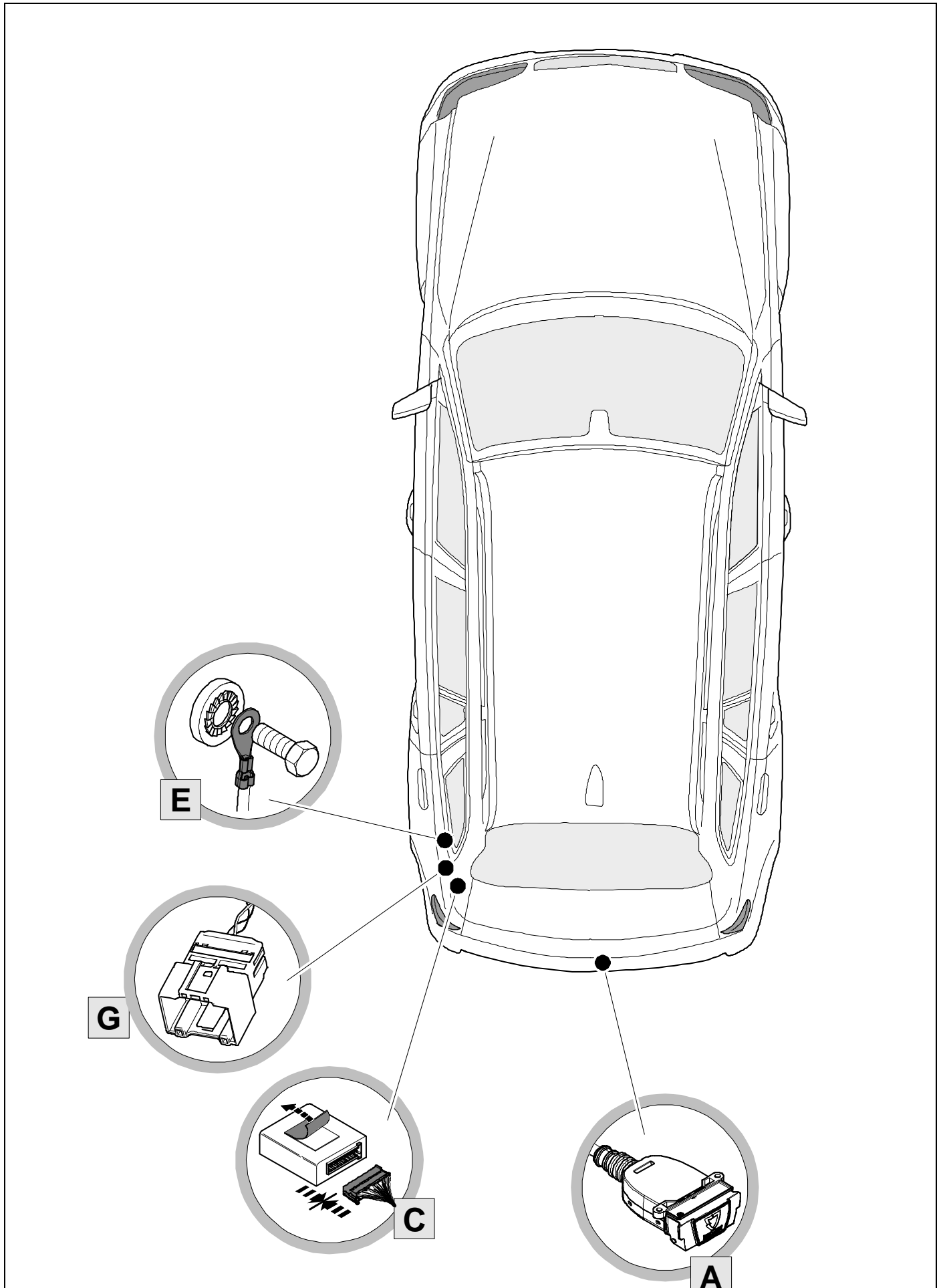
<p>BRAKE CONTROLLER PREPARED</p>	<p>TRAILER BULB OUT DETECTION</p>	<p>SELF-DIAGNOSTIC CAN-BUS ECU</p> <p>JaegerCANtroj™</p>	<p>MADE TOUGH WITH JAEGER FIBRE TECHNOLOGY</p>	
<p>LED + BULB</p>	<p>AUTOMATIC TRAILER DETECTION</p>	<p>WATERPROOF SOCKET INCLUDED</p> <p>WEATHERLOCK™</p>	<p>AUTOMATIC PDC DEACTIVATION</p>	<p>EV COMPATIBLE</p>

Reference:

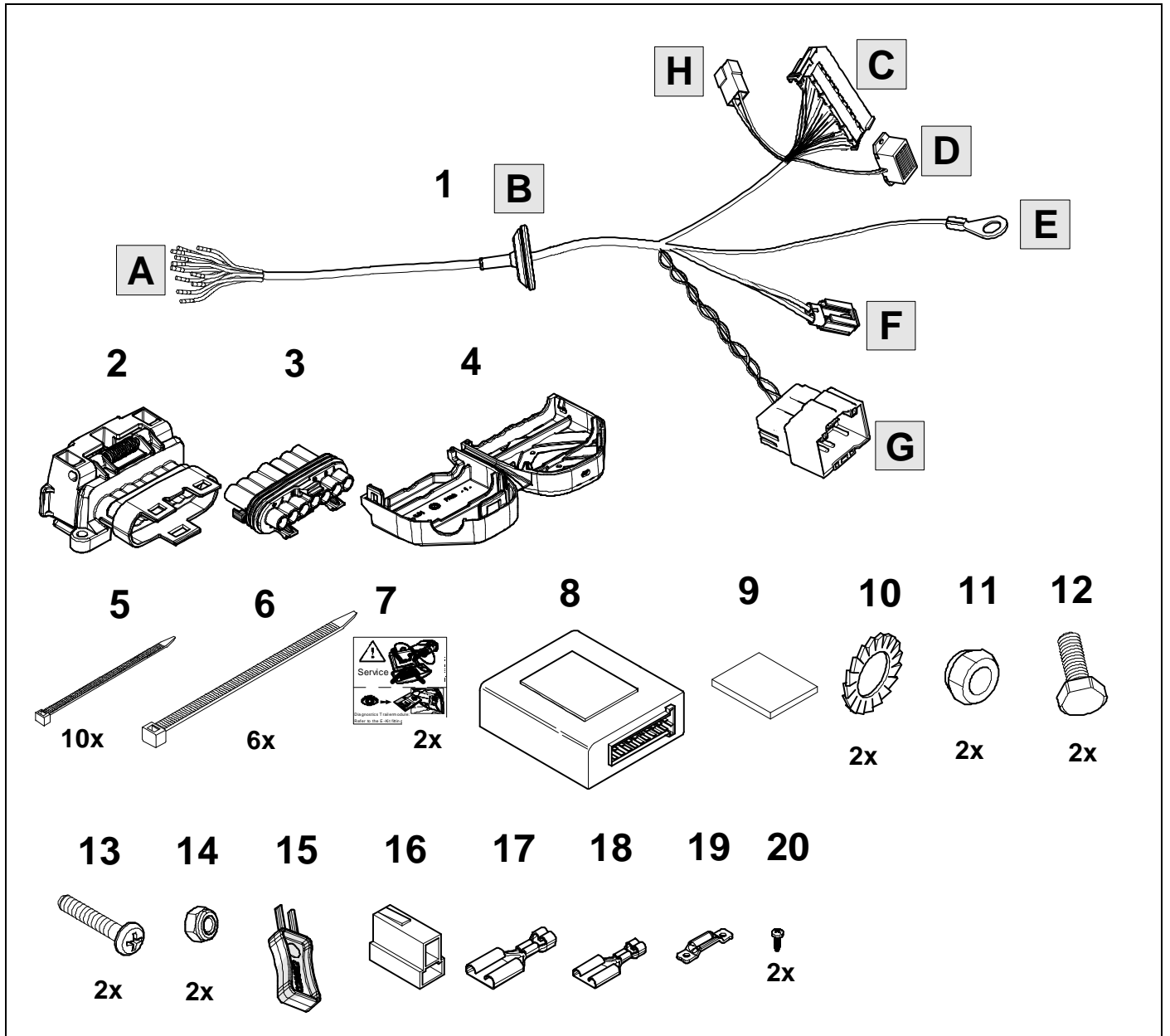
The following information must be reviewed before beginning the assembly:

- The installation instructions are to be thoroughly read.
- The installation should be carried out by qualified personnel with the relevant technical knowledge.
- The vehicle manufacturers' current technical notices and information on retrofitting must be followed.
- The removal and replacement instructions found in the current repair manuals must be followed.
- It must be ensured that the vehicle is technically suitable for the installation of a trailer hitch.

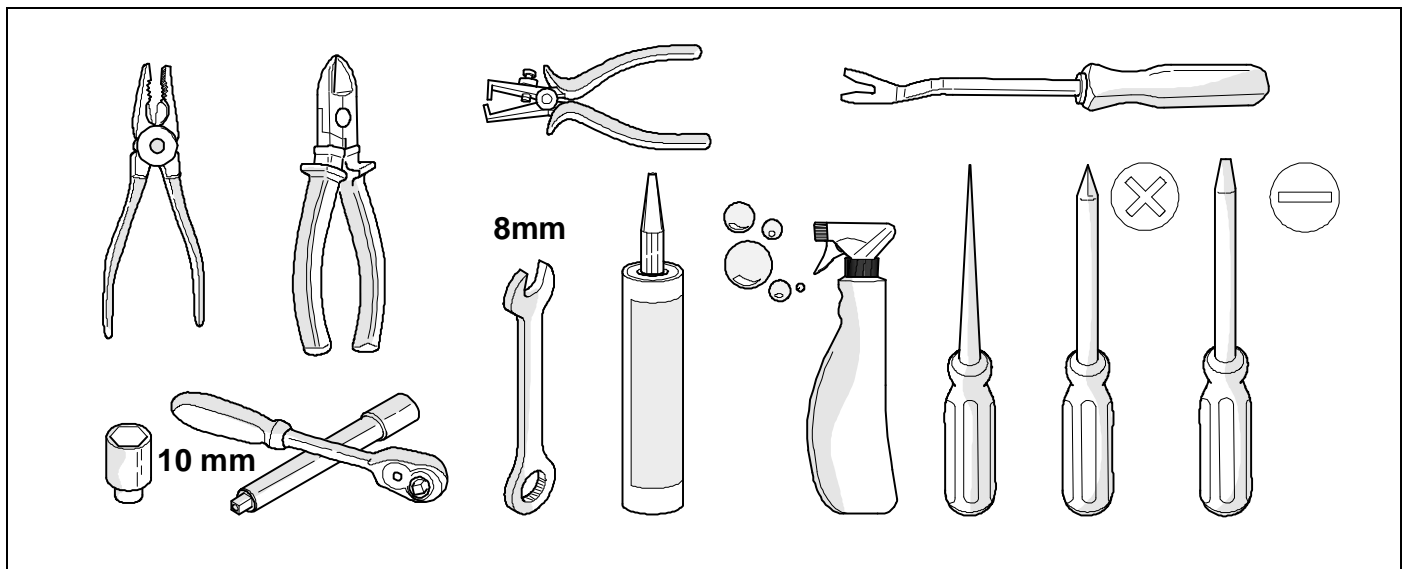
OVERVIEW

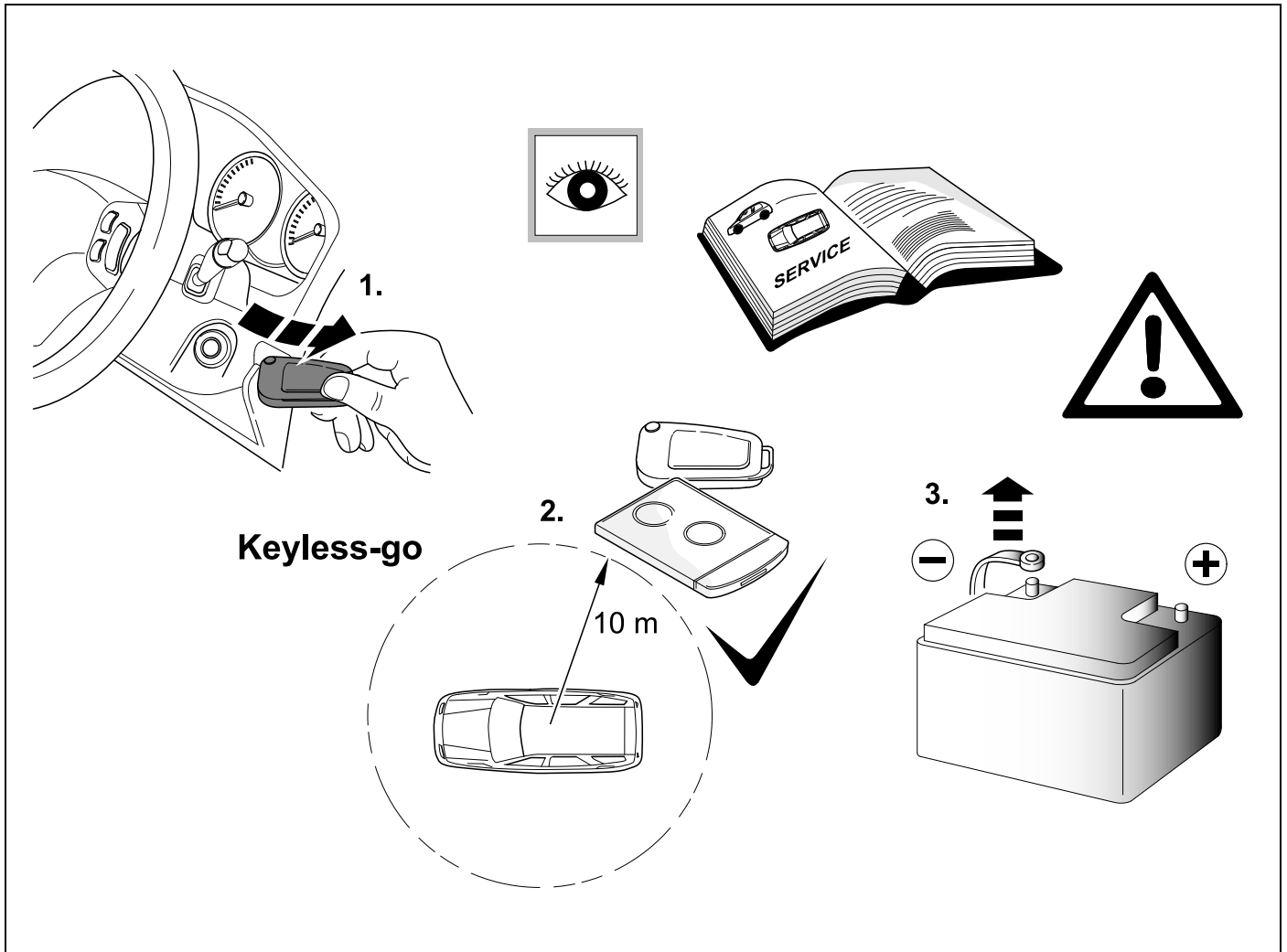


KIT



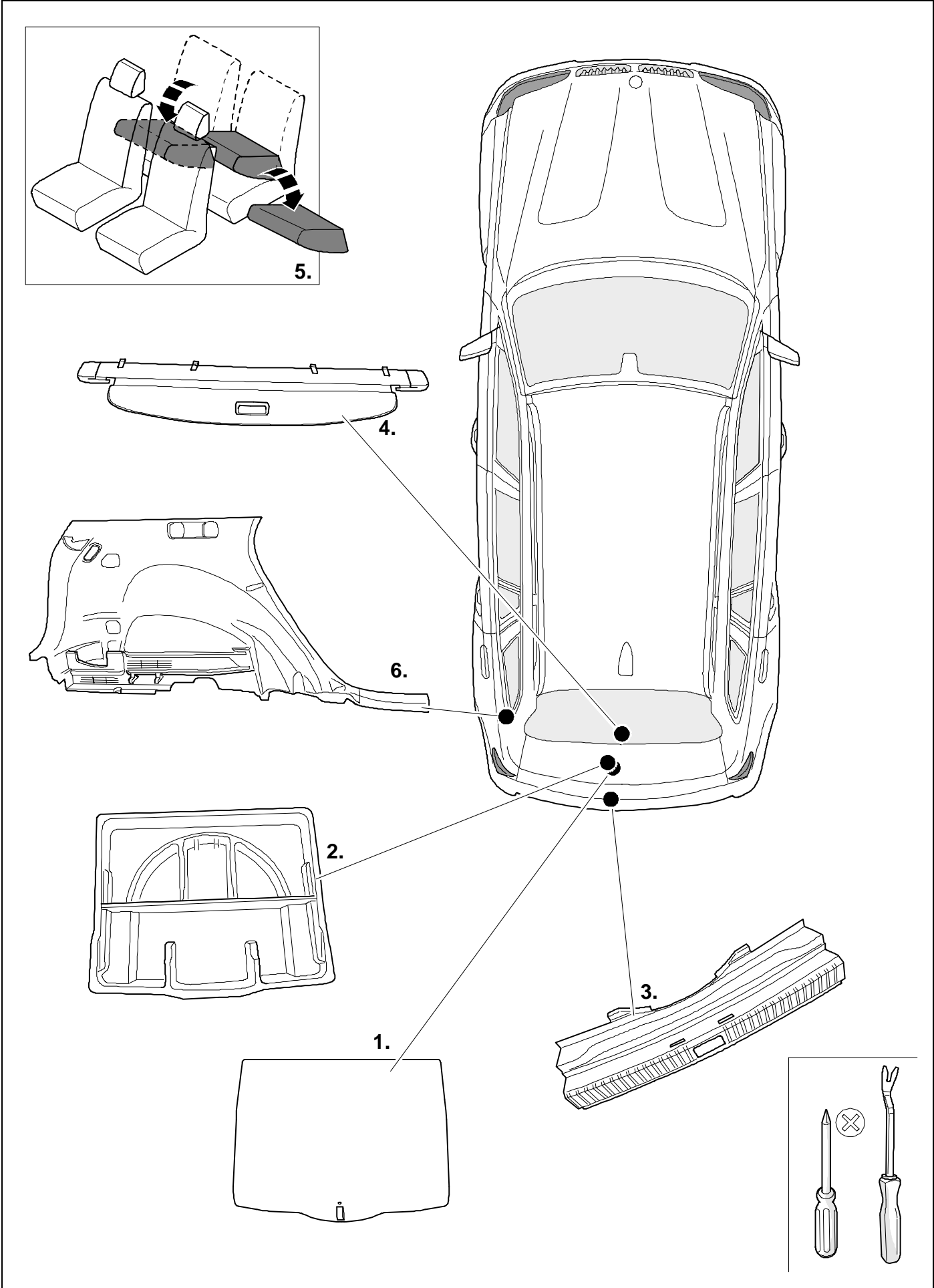
TOOLS





Important notes before commencing wiring fitment:

1. It is critical that the battery is disconnected before installation and only reconnected after installation is complete.
2. The wiring should be installed completely first before testing it. This means adding all trim back in order to close the rear hatch.
3. Get in the vehicle and check all **vehicle** light functions first including foot on the brake which activates the trailer module.
4. Switch off the ignition and attach a trailer or tester.
5. Get back in the vehicle put foot on the brake (Activate trailer detection) and ensure all doors closed.
6. Now test the trailer lights.

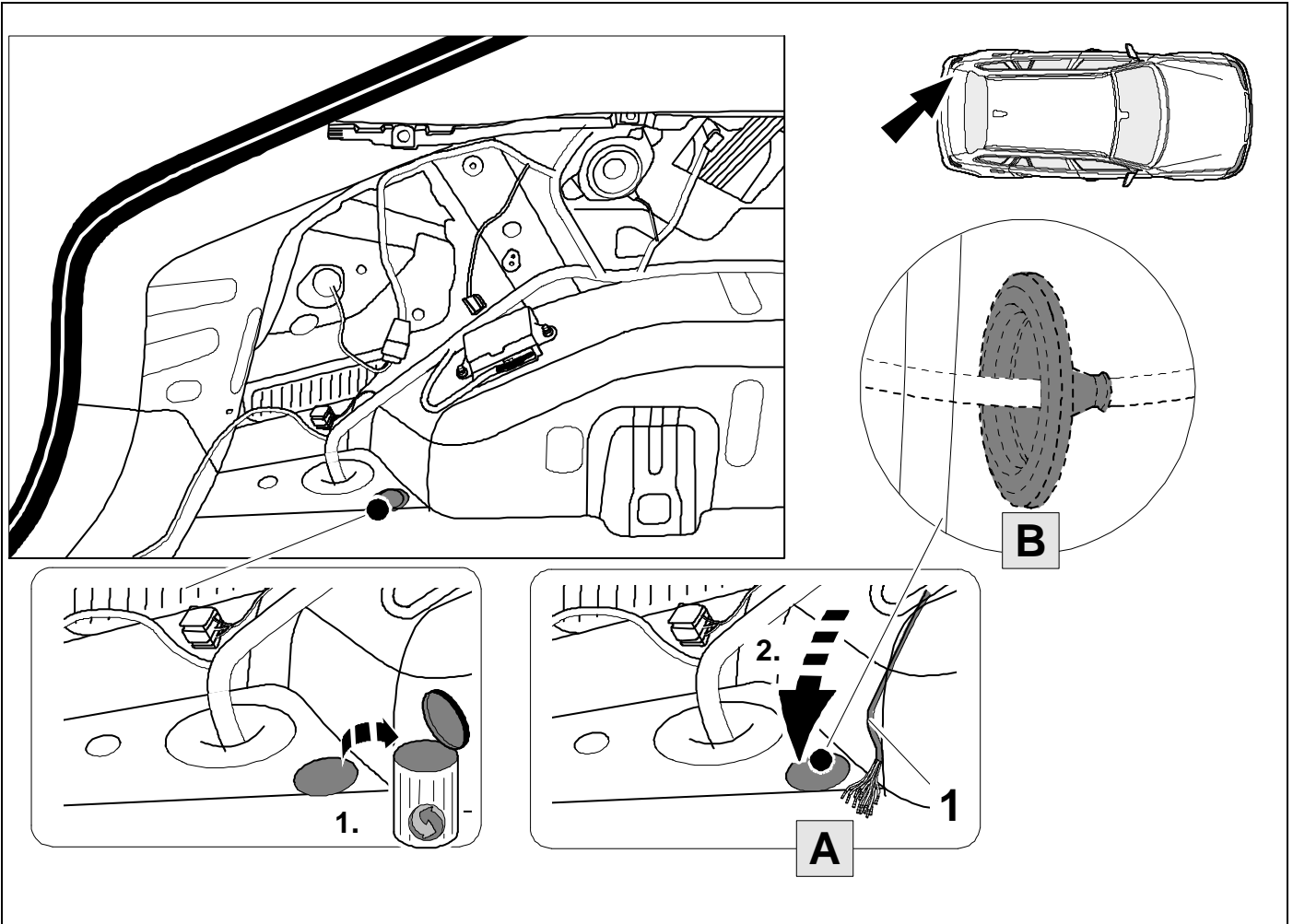


3

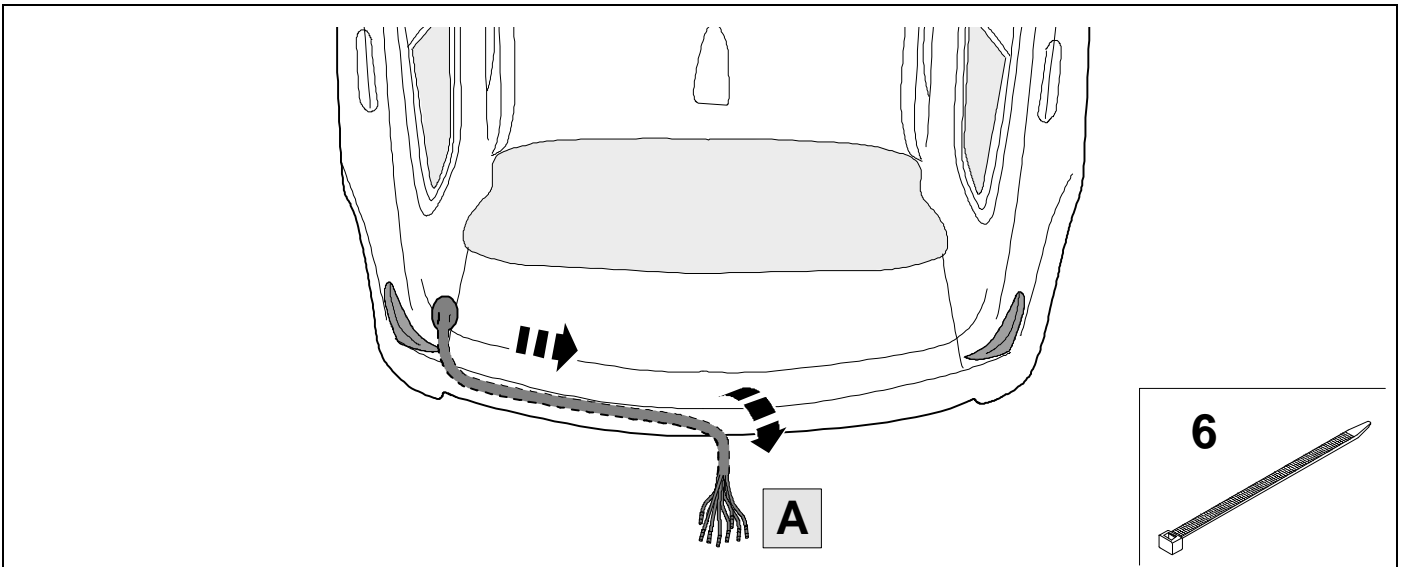


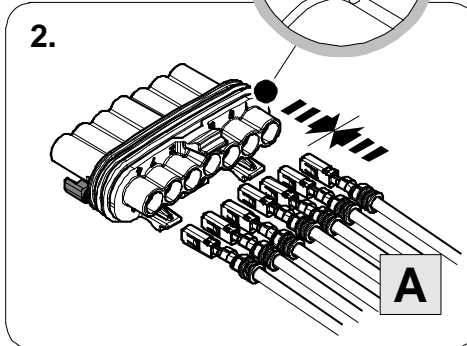
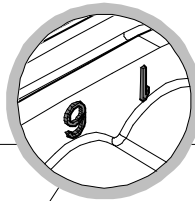
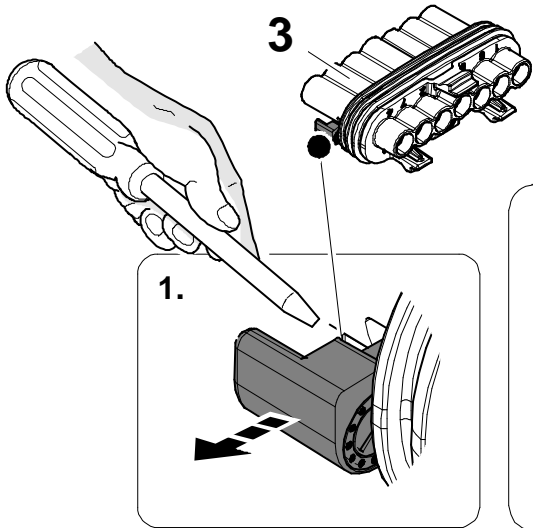
9

EV 6

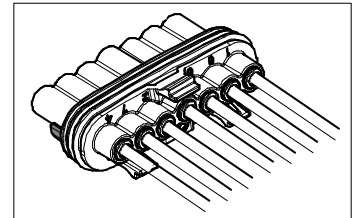
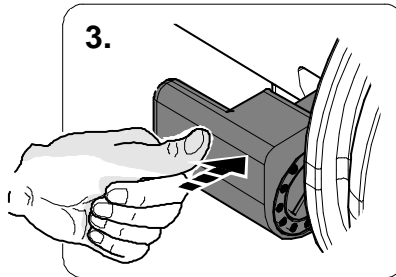
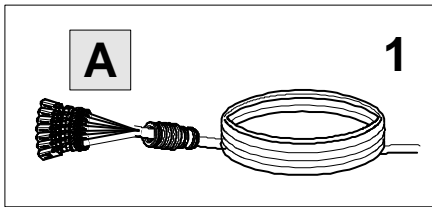


4

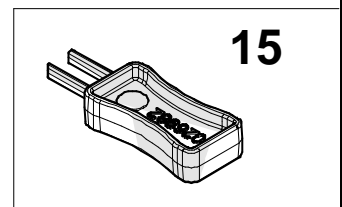
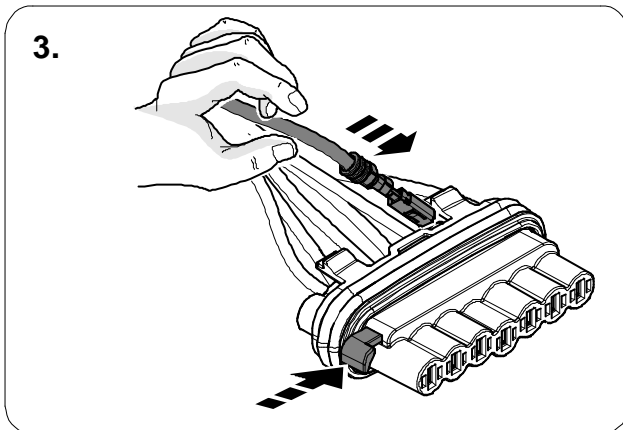
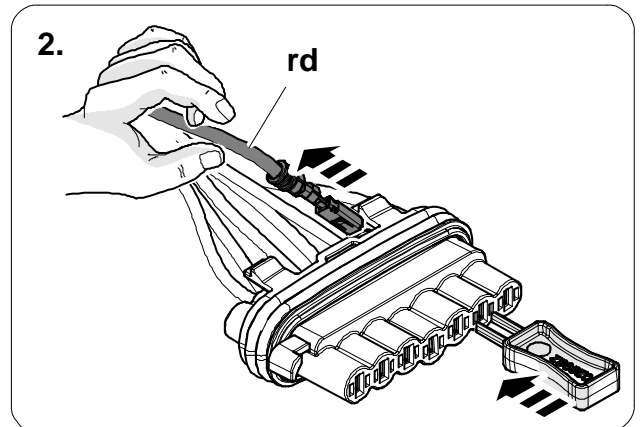
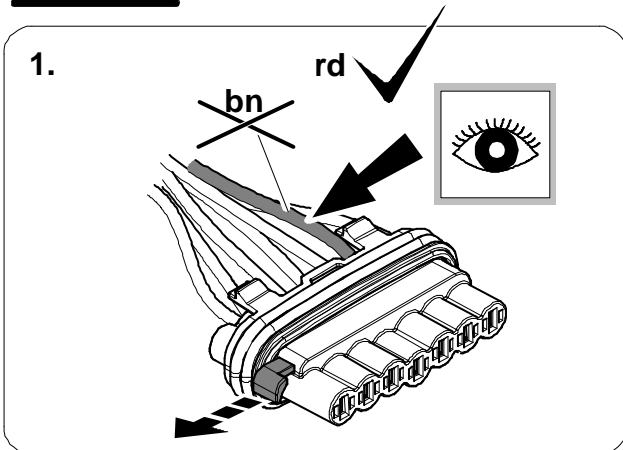




ye	1	
rd	6	
bu	5	
wh	3	
bk	2	
bn	7	
gn	4	



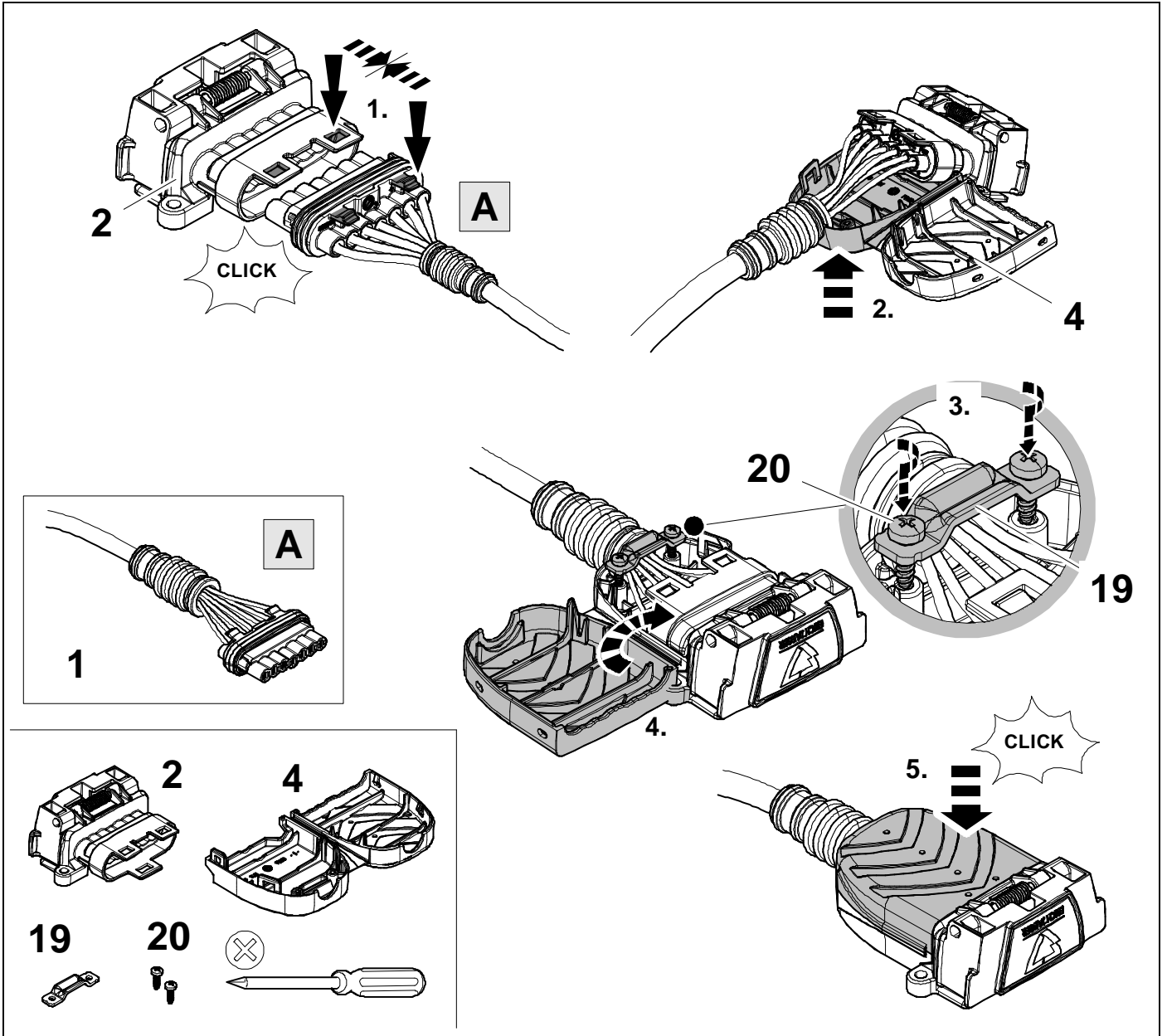
In case of wrong pin insert:



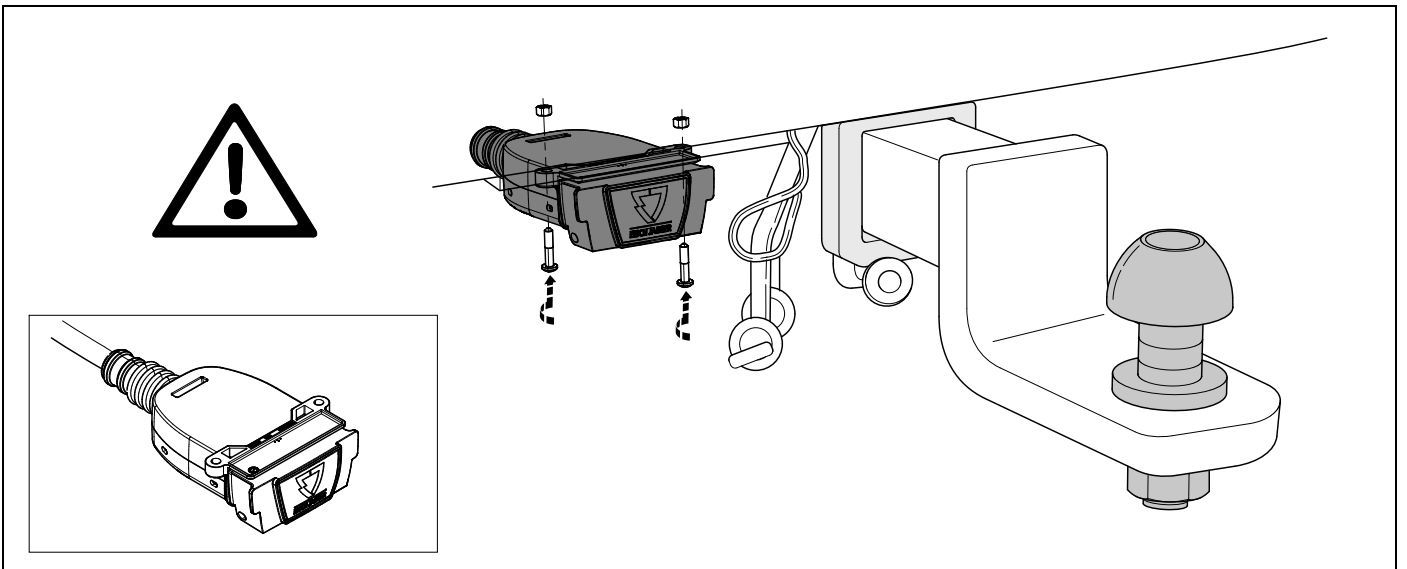
6



8



7



8



9

1	ye	
2	bk	
3	wh	
4	gn	
5	bu	
6	rd	
7	bn	

9	bk	wh	gy	gn	rd	bu	ye	bn	pu	or	no
	black	white	grey	green	red	blue	yellow	brown	purple	orange	not occupied

10

10 mm

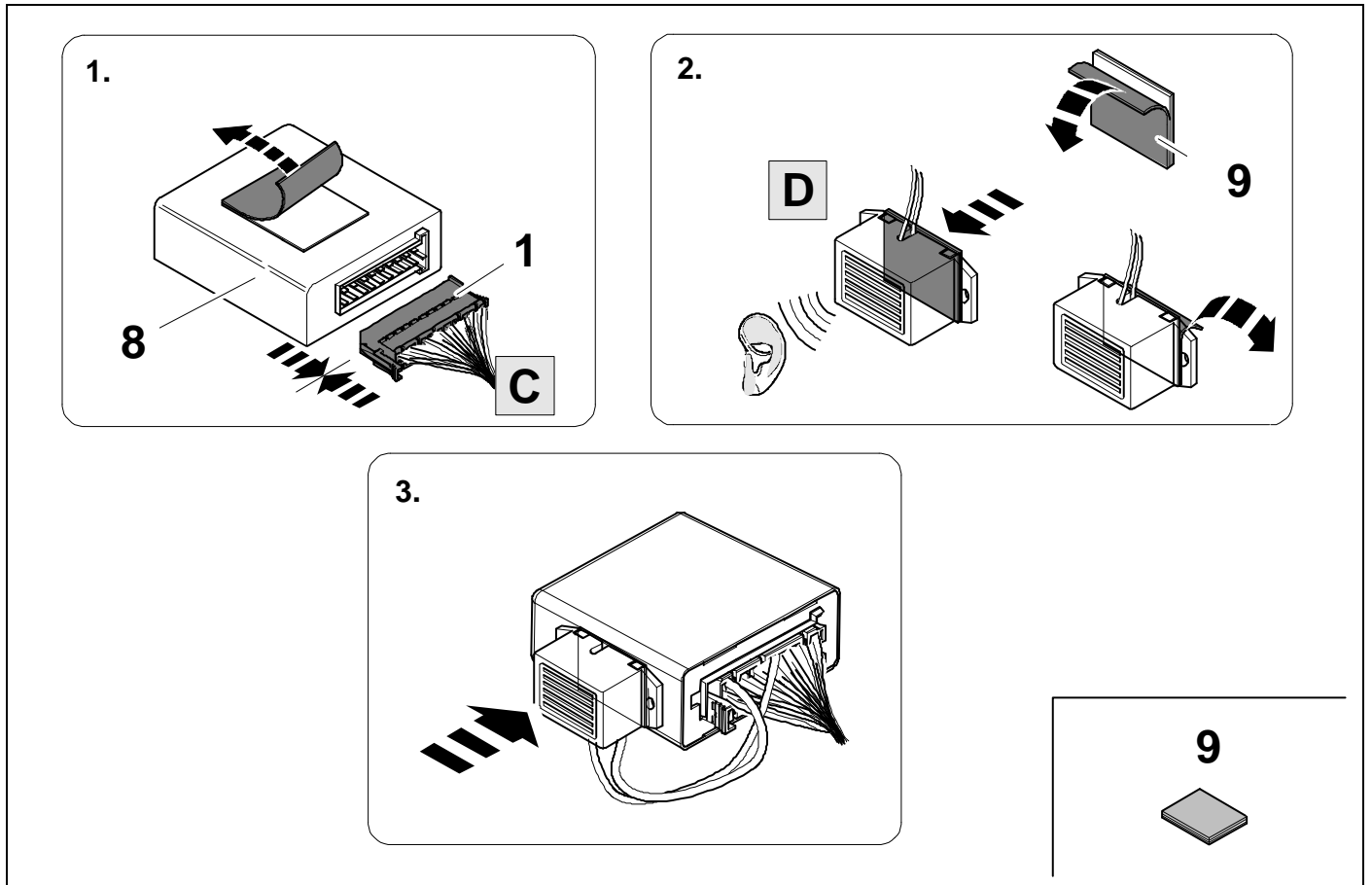
5

10

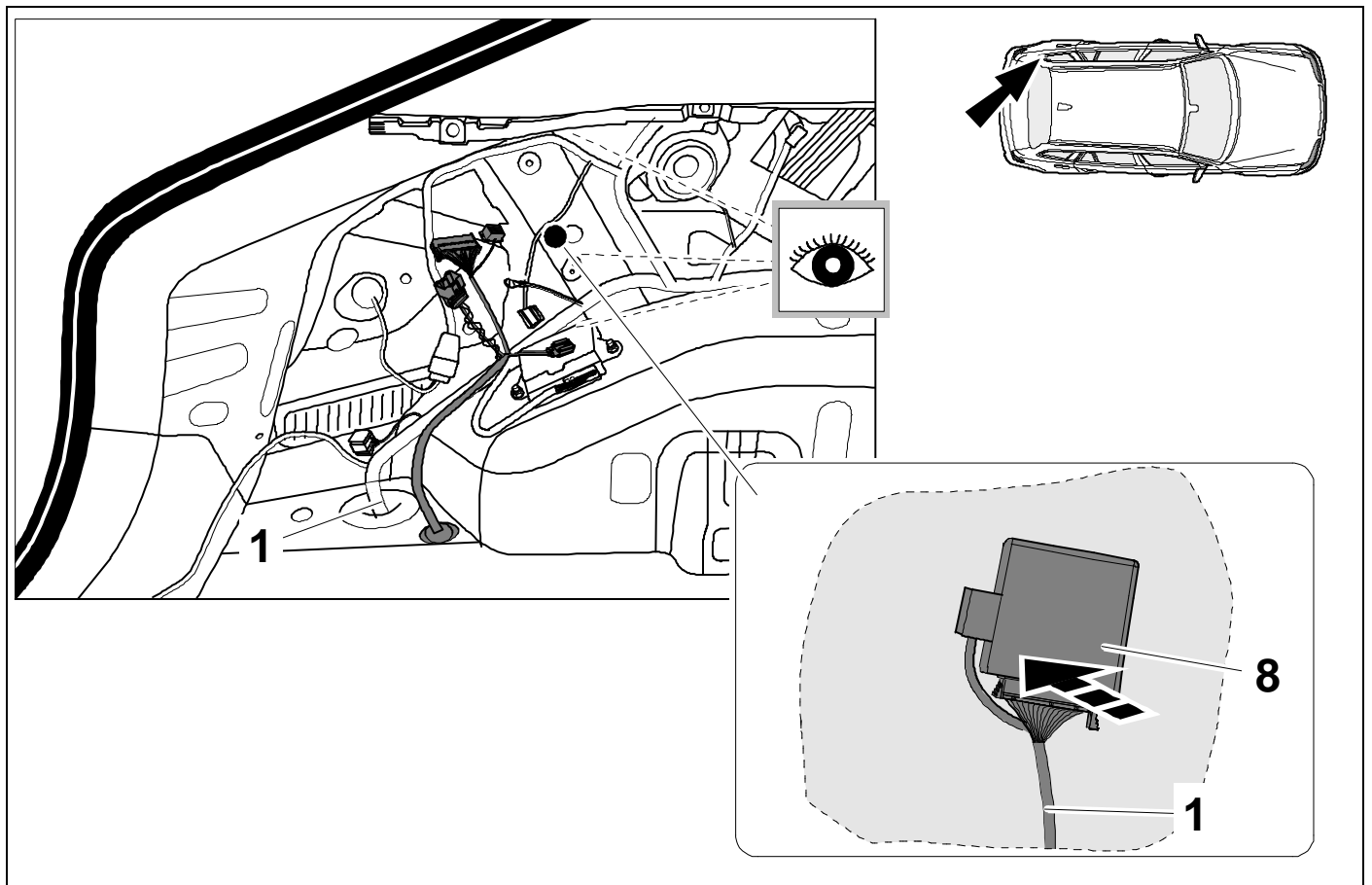
12

E

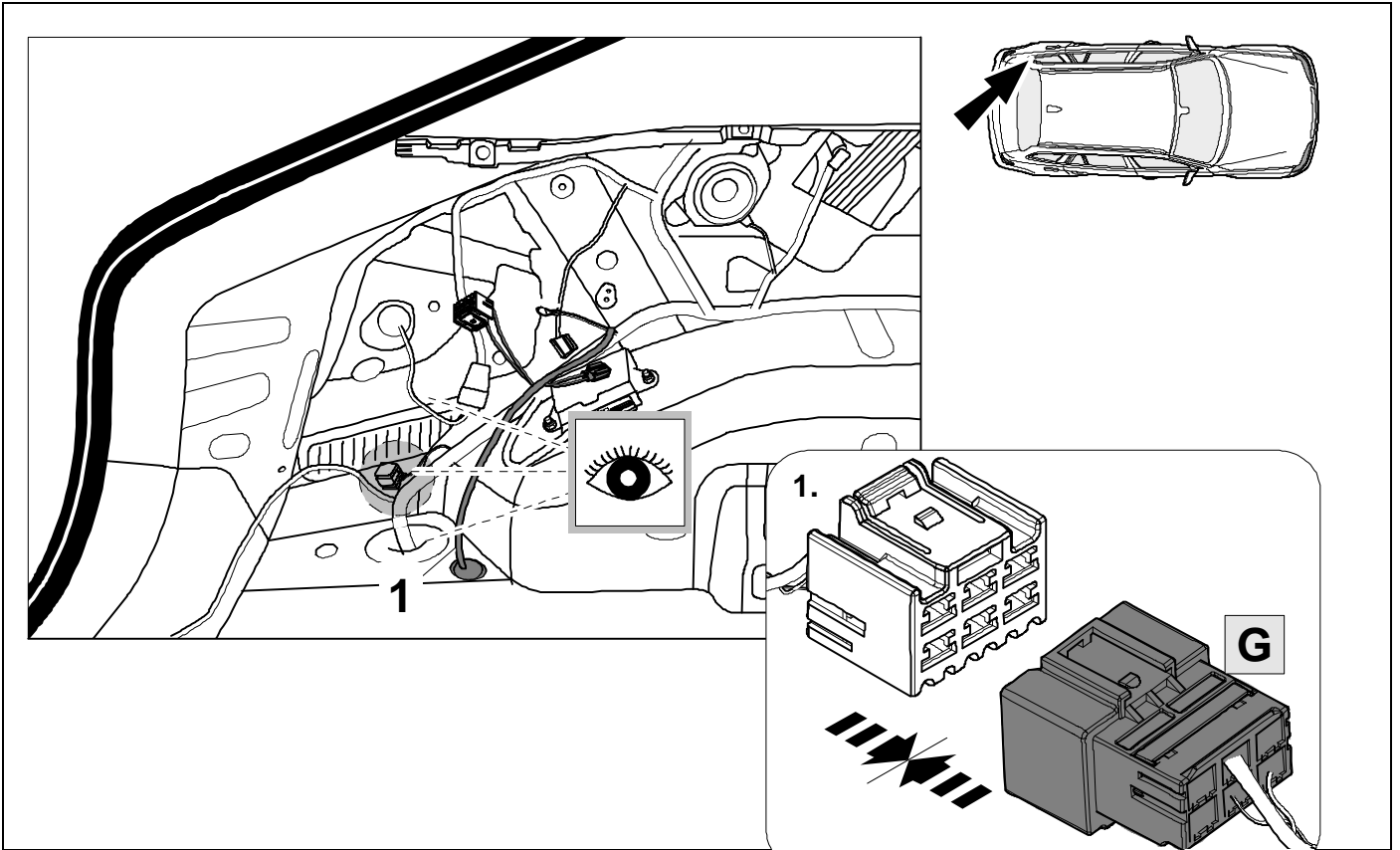
11



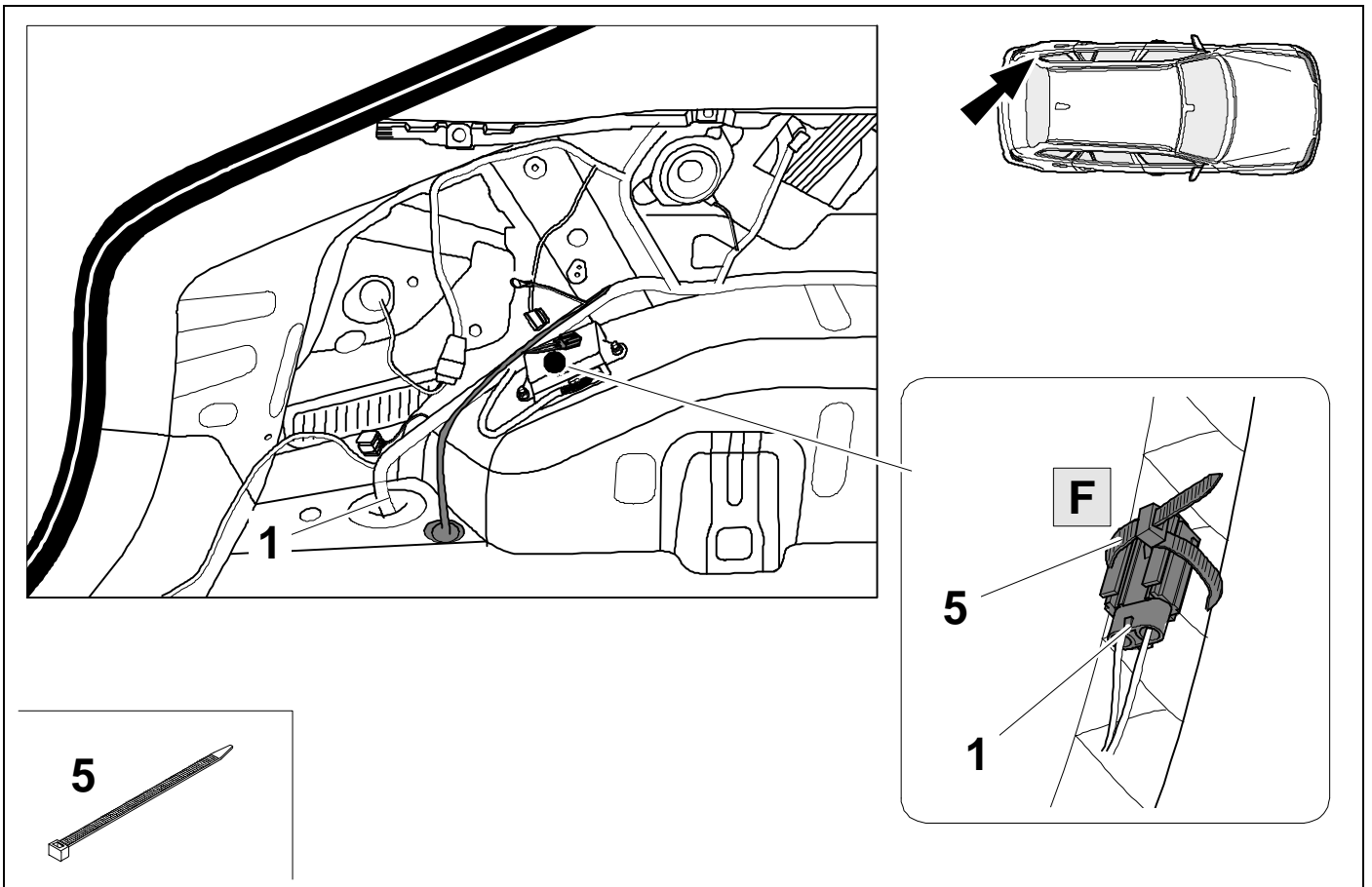
12



13

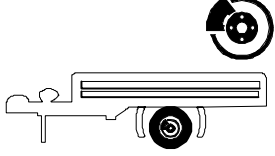


14

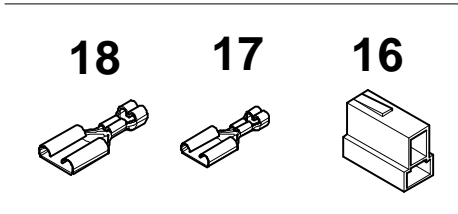
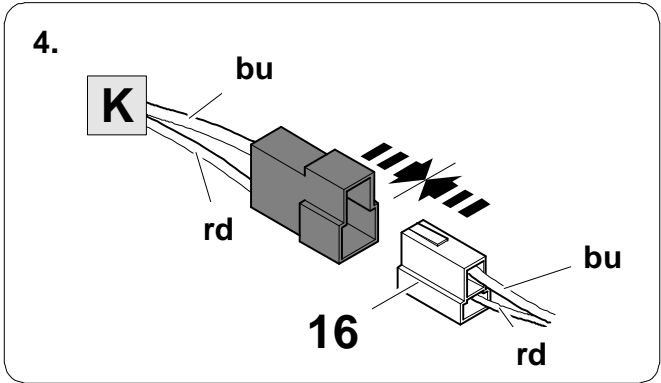
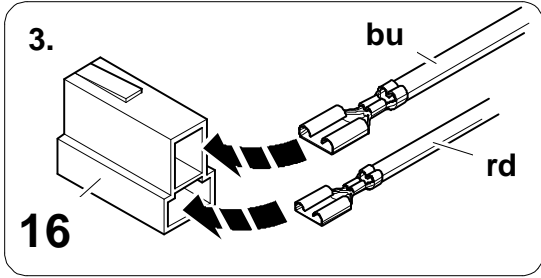
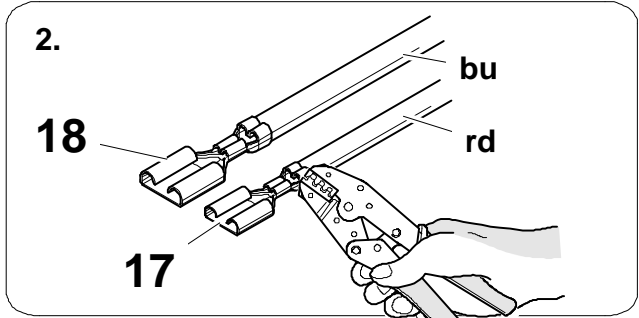
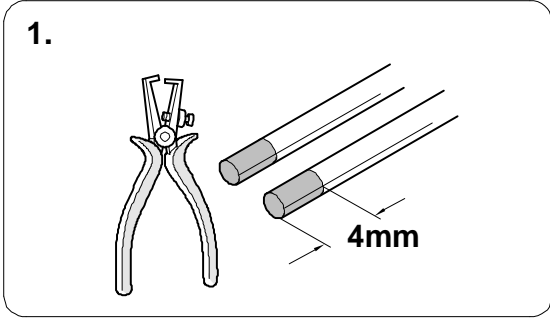
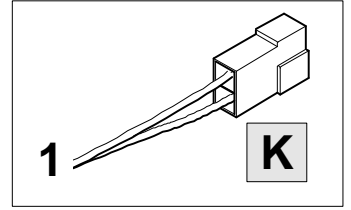




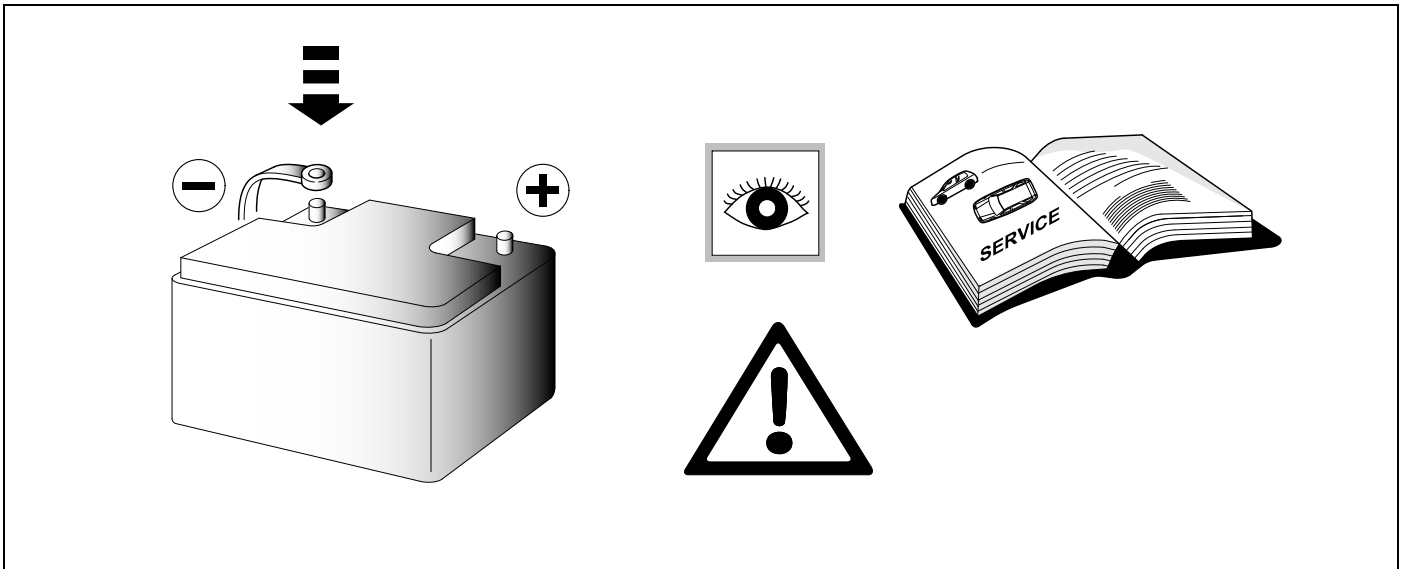
**BRAKE
CONTROLLER
PREPARED**



Trailer Brake Preparation

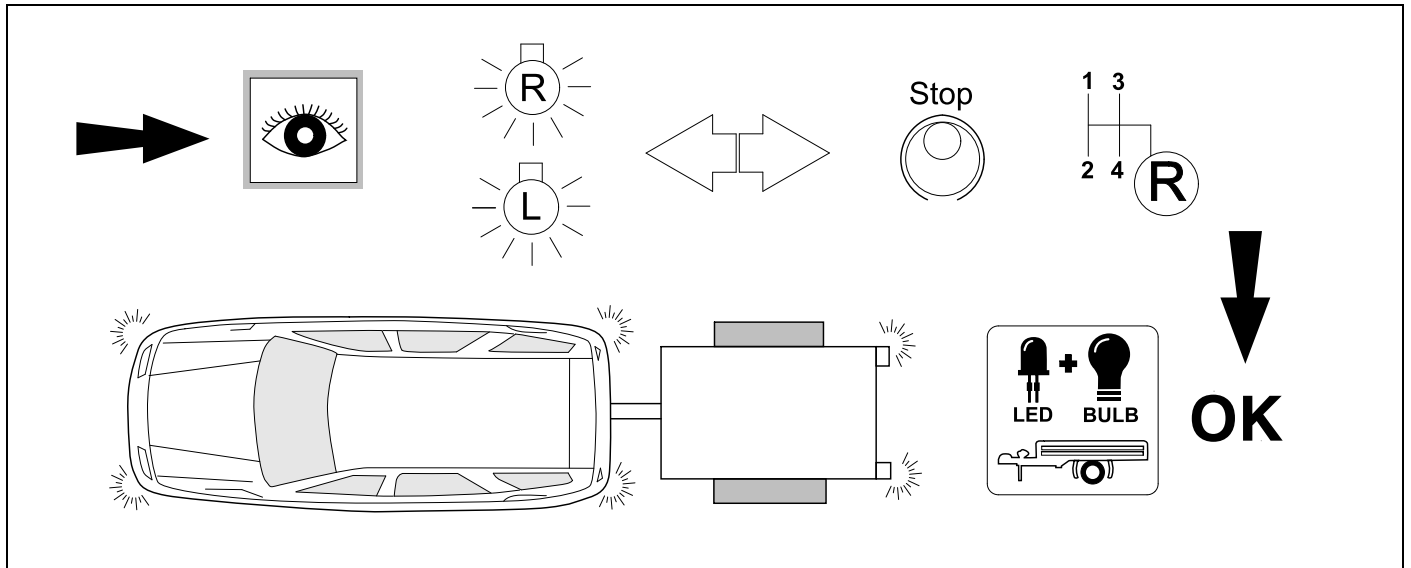


16

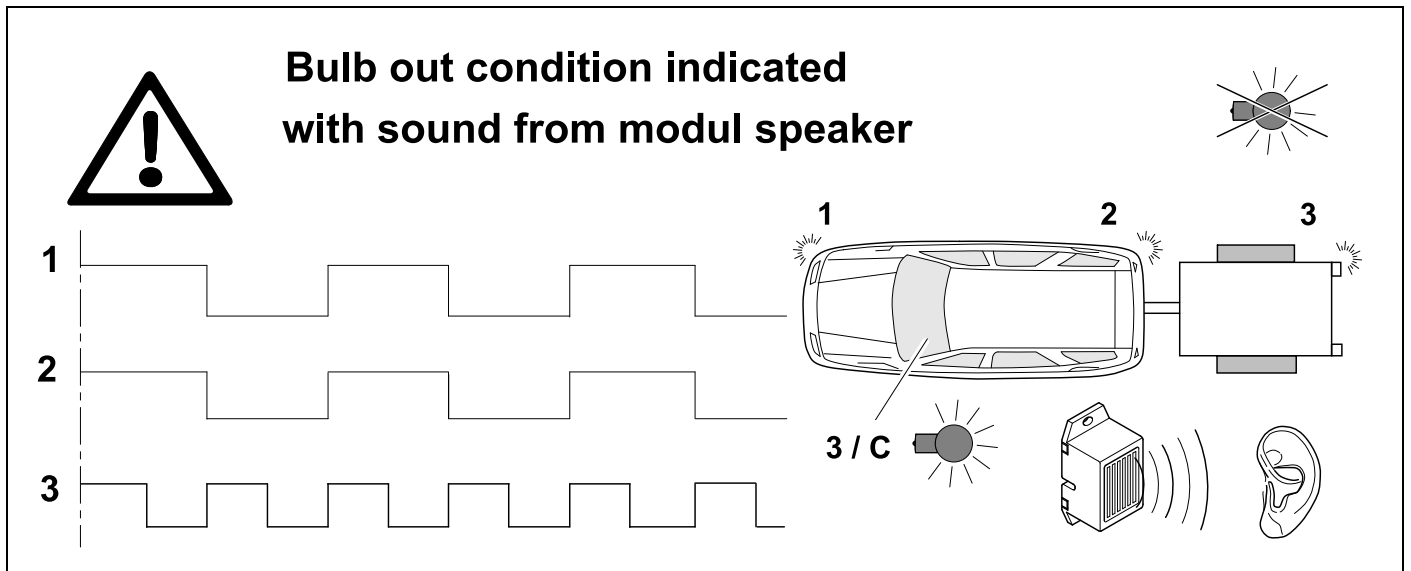


17

CHECK ALL LIGHTING FUNCTIONS

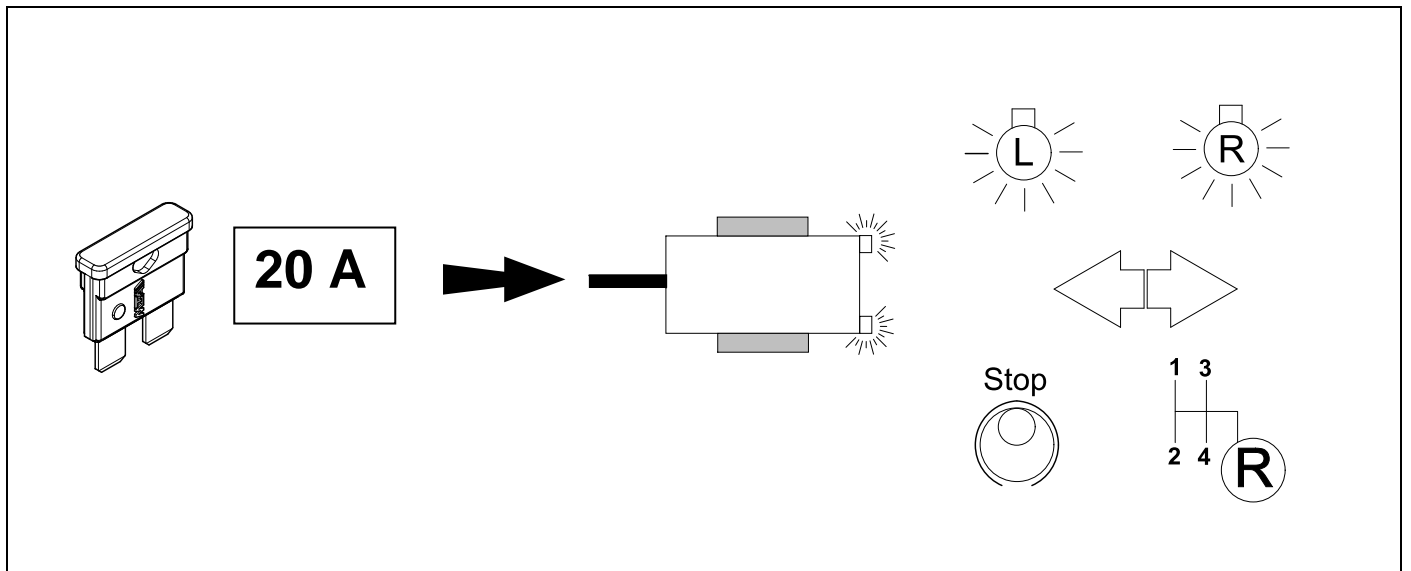


18

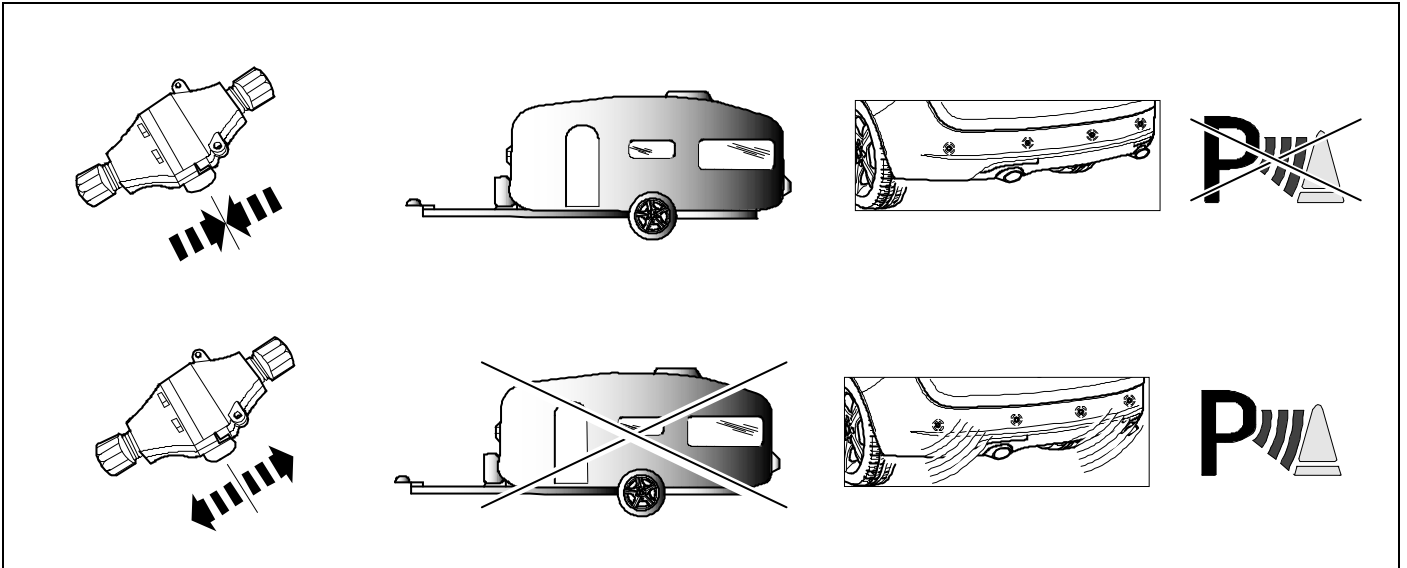


19

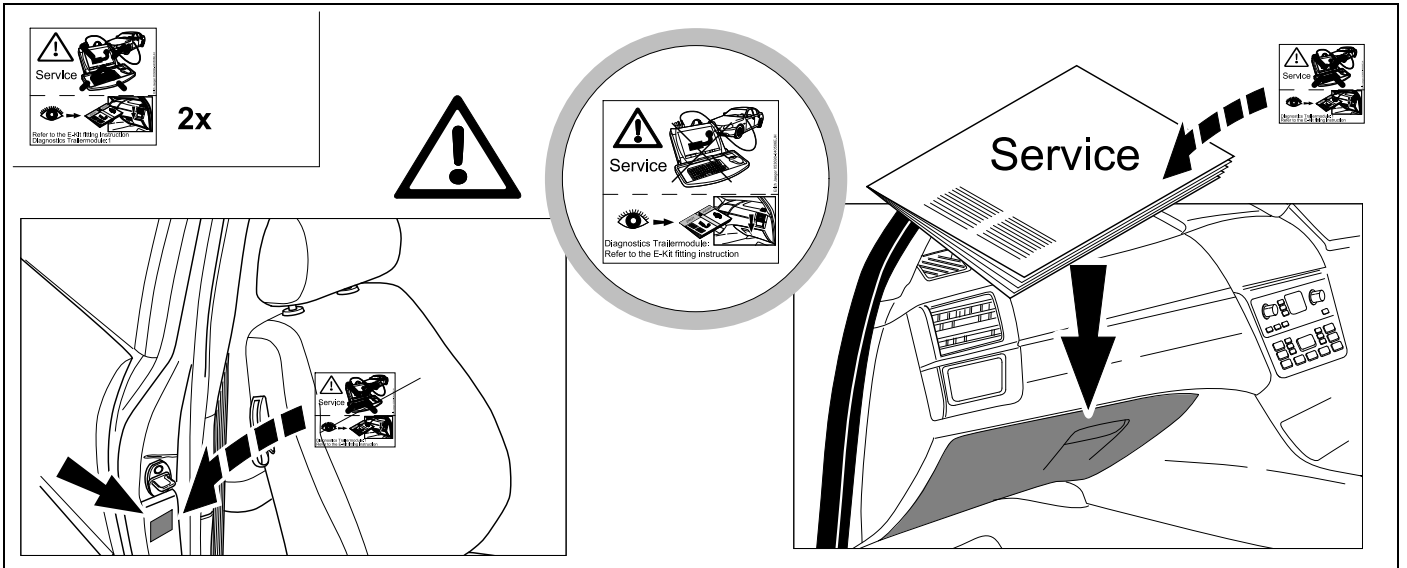
👁️ ⇒ 14



20

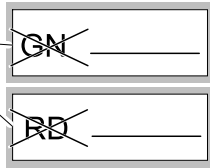
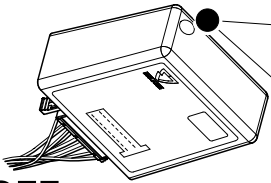
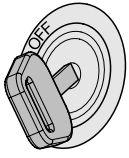


21



Status LED for self-diagnosis

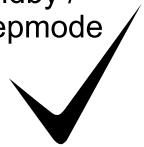
Operation support



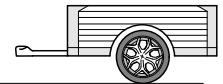
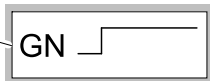
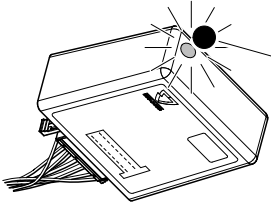
No CAN-Data =



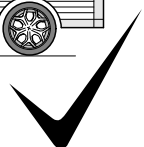
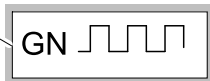
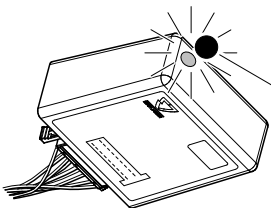
Standby / Sleepmode



Ignition OFF



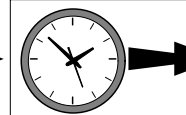
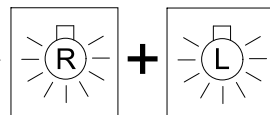
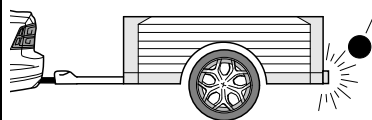
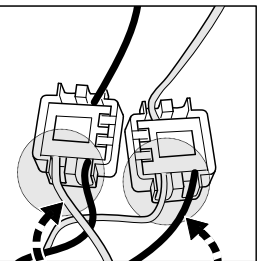
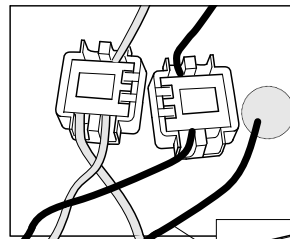
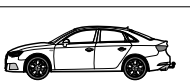
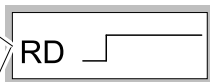
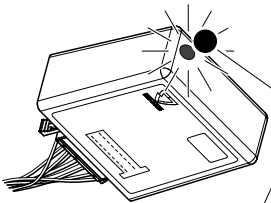
Ignition ON



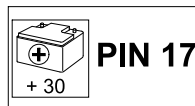
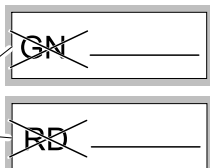
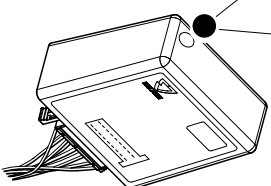
Ignition ON

Failure support

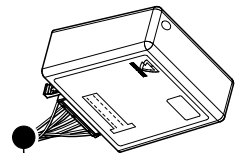
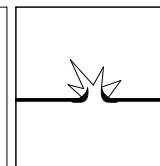
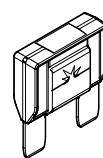
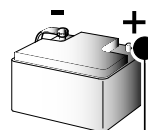
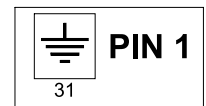
Check CAN-Data Wire



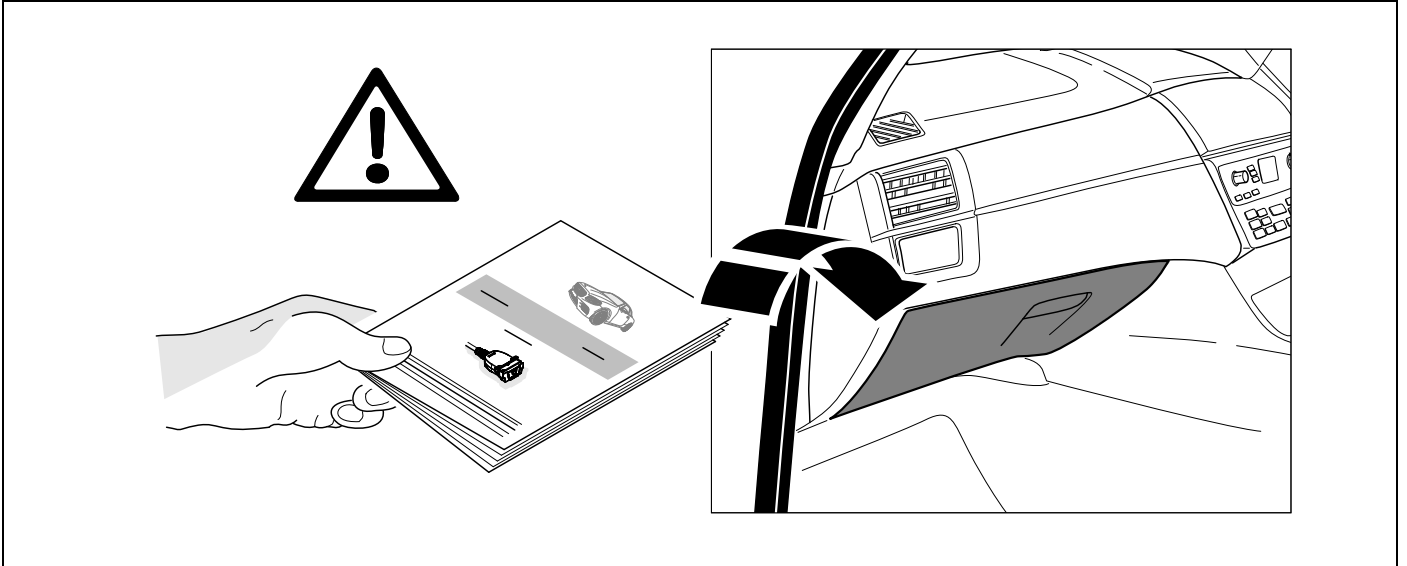
1x max 5 min.



oder / or



Ignition ON



Subject to change in terms of construction, equipment and colour, and may contain errors.
The information and illustrations are non-binding.