
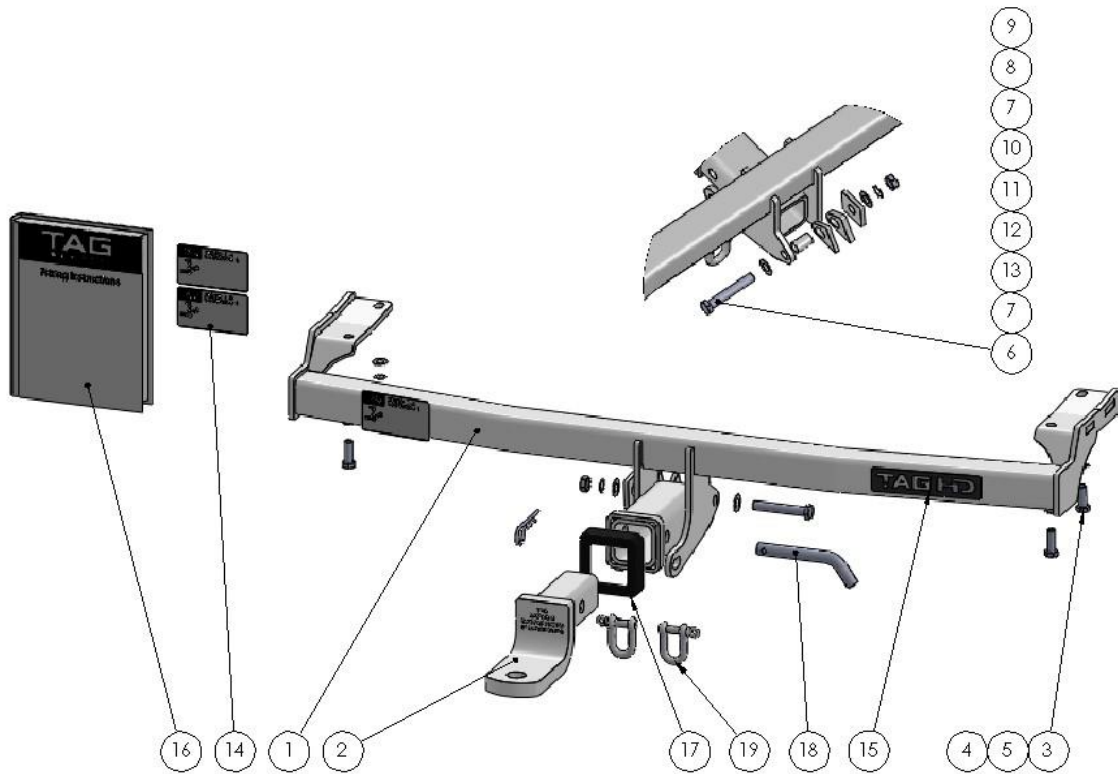


FITTING INSTRUCTIONS

Honda CRV 11/12-04/17 - T4A650



Max Towing Capacity: 1500kg	Towbar Weight: kg
Max Ball Load: 150kg	Wiring Harness Part #:
 Tools Required: Spanners, Sockets, Screwdriver, Torque wrench	



ITEM NO.	DESCRIPTION	QTY.	ITEM NO.	DESCRIPTION	QTY.
1	Welded Assembly for T4A650	1	11	Tow Hook Insert	1
2	L4120 Ball Mount	1	12	Tow Hook Insert	1
3	M10x 30x 1.25 Bolt	4	13	Crush Tube	1
4	M10 FLAT WASHER	4	14	TAG Compliance plate	3
5	M10 Shakeproof Washer	4	15	TAG HD Sticker 150 x 33mm	1
6	M12x1.75x75 Bolt	1	16	Fitting Instruction	1
7	M12 Flat Washer	2	17	TAG Hitch Receiver Cover	1
8	M12 Shakeproof Washer	1	18	Class 4 Pin & Clip	1
9	M12x 1.75 NUT	1	19	TAG D-Shackle - 10mm, 1000kg,	2
10	40x40x6 top plate	1			

FITTING INSTRUCTIONS

Honda CRV 11/12-04/17 - T4A650



**ENSURE THAT THE FITTING INSTRUCTIONS ARE READ AND UNDERSTOOD PRIOR TO FITMENT
PLACE THESE INSTRUCTIONS IN THE VEHICLE'S GLOVEBOX AFTER INSTALLATION IS COMPLETED**

Warning:

- This product is for towing purposes only and must only be loaded as shown in your vehicle Owner's Manual.
- This towbar is NOT to be drilled, cut, welded, or modified in any way.
- All load ratings shown are under the assumption your trailer has a functional braking system installed
- When installed in positions other than the one depicted in these instructions the Tow Ball Mount may interfere or obstruct certain features of your vehicle (tailgate opening, Chassis clearance, etc.)

General:

- Before fitting this towbar check installation hardware is included and correct.
- Check that the towbar is suitable for the vehicle make, model and year then make sure any changes to the vehicle design do not conflict with the fitting of this towbar. (Tray, Canopy, Suspension etc.)
- After drilling, blow any filings clear, remove any swarf and treat exposed metal with a rust inhibitor.
- Check behind chassis rail and body panels before drilling to ensure no hazards are present (fuel lines, electrical wires etc.)
- If this vehicle requires a bumper cut out, please check to make sure that your measurements are correct and clear before cutting any panels as some bumper profiles can change. If you are not sure, then please ask your towbar supplier
- The high tensile fasteners supplied with this product are an integral feature to achieving the specified rating, if replacement is required ensure that fasteners of the same grade (8.8) & quality are used. Contact an authorised TAG distributor or the TAG fitment centre - (07) 3208 3022 - if further information is required.

Towbar Maintenance and Care:

It is recommended, when not in use, the Tow Ball Mount assembly and class 4 Pin and Clip is stored inside the car away from moisture to prevent standing water from forming rust. Inspect to ensure, on regular basis, fasteners are torqued to the specifications below and in good condition.

Metric Bolt Torque Settings										
Diameter	Pitch	Grade	Torque	Unit	Diameter	Pitch	Grade	Torque	Unit	
M8	1.25	8.8	29	Nm	M12	1.50	8.8	97	Nm	
M10	1.25	8.8	57	Nm	M12	1.75	8.8	77	Nm	
M10	1.50	8.8	44	Nm	M14	2.00	8.8	122	Nm	
M12	1.25	8.8	101	Nm	M16	2.00	8.8	190	Nm	

FITTING INSTRUCTIONS

Honda CRV 11/12-04/17 - T4A650



Step 1	Fit Towbar
Instructions	
<ul style="list-style-type: none">a. Remove the PS mud flap via 1x scrivet and 2x screws.b. Remove the DS mud flap via 1x scrivet and 3x screws.c. Remove 2x screws from each wheel arch liner & carefully peel the wheel arch trim away from the body.d. Remove 1x screw and 1x scrivet from the bumper below after removing the wheel trim.e. Lift tail gate & remove 2x lower bumper screws.f. Remove the small cover directly below each taillight to expose a M6 bolt Remove bolt from both sides.g. Remove 3x scrivets from the rearmost underside of the bumper.h. Beginning at each wheel arch carefully unclip the bumper and pull rearwards to remove, some force may be required.i. Remove the lower cover from the bumper via 3x bolts. Retain Bolts.j. Remove the exhaust from the hangers to gain better access to the chassis rails.	

FITTING INSTRUCTIONS

Honda CRV 11/12-04/17 - T4A650



Step 2	Fit Towbar
Instructions	
<ul style="list-style-type: none">a. Lift the towbar up to the chassis and secure loosely with 4x M10x 30mm bolts with spring & flat washer.b. Fasten the towbar to the centre tow hook with the M12x 75 bolt, 1x 6mm & 1x 8mm triangular spacer, 1x 40x40 square plate, washers & nuts.c. Tighten all bolts to the torque specification on Page 2.	

Step 3	Cut Bumper
Instructions	
<p>The towbar installer is ultimately responsible for the location & quality of the bumper cut. To avoid mistakes, please use the following measurements as a guide only. We suggest making small incremental cuts and regularly test fit the bumper to ensure an accurate and tidy appearance. The additional application of rubber pinch-weld around the cut edge ensures a neat & tidy look.</p> <ul style="list-style-type: none">a. Establish the centreline of bumper & mark.b. Mark the bumper 45mm either side of centre.c. Cut the bumper using an air saw or similar. Deburr all cut edges.d. Fit bumper in reverse of steps 1a-j.	


FITTING INSTRUCTIONS

Honda CRV 11/12-04/17 - T4A650



Step 4	Apply Door Sticker
---------------	---------------------------

Instructions	
---------------------	--

<p>a. Apply one of the compliance labels to the pillar of the driver's door. Leave the remaining label & the fitting instructions in the vehicle handbook.</p>	
--	---



FITTING INSTRUCTIONS

Honda CRV 11/12-04/17 - T4A650



WARRANTY STATEMENT

The manufacturer of TAG branded products, warrants your TAG Towbar for its full product life under the following conditions:

- You can show proof of purchase.
- The towbar has been correctly installed by a suitably qualified installer.
- The towbar has not been modified or abused in any way and has only been used for the purpose intended.
- The towbar was not fitted second hand to your vehicle.

The extent of this warranty includes materials and workmanship used in the manufacture of the towbar and is to the equivalent value of current, full replacement cost. Nothing stated or implied in this warranty limits in any way, the statutory rights that you may have.

To make a claim visit the original installer in the first instance or, if you are unable to or are not satisfied with their help, then contact us directly by email at warranty@tagtowing.com