

Figure 17A

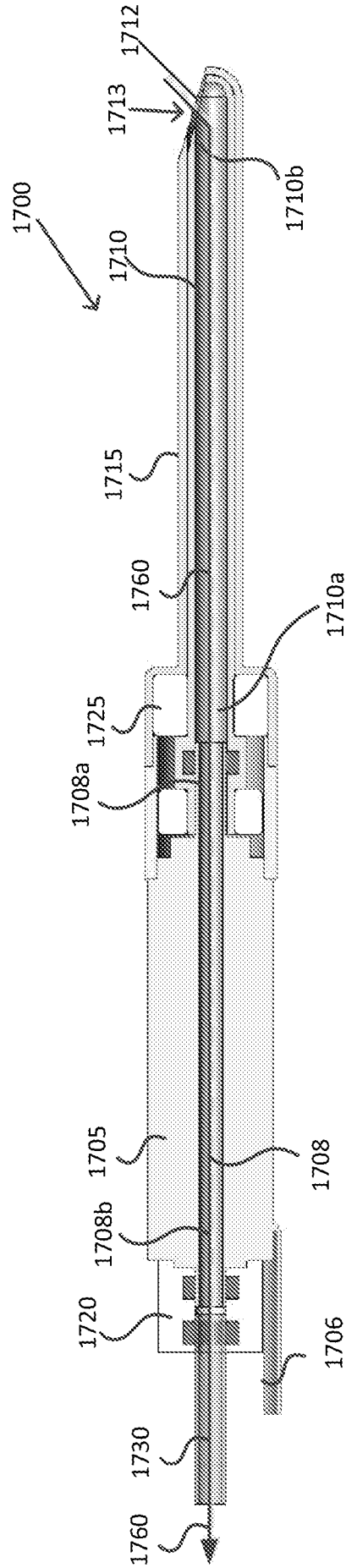


Figure 17B