

205-8.8-S1 / 312-8.8-S1

Floor Mounted Elevated Tub Filler with Handshower

12 GPM @ 45 PSI (Tub)

2.5 GPM @ 45 PSI (Handshower)

Note: Some building codes require remote pressure balance valves for anti-scald



WATERMARK DESIGNS

350 Dewitt Ave Brooklyn NY 11207 USA T 718 257 2800 F 718 257 2144 info@watermark-designs.com

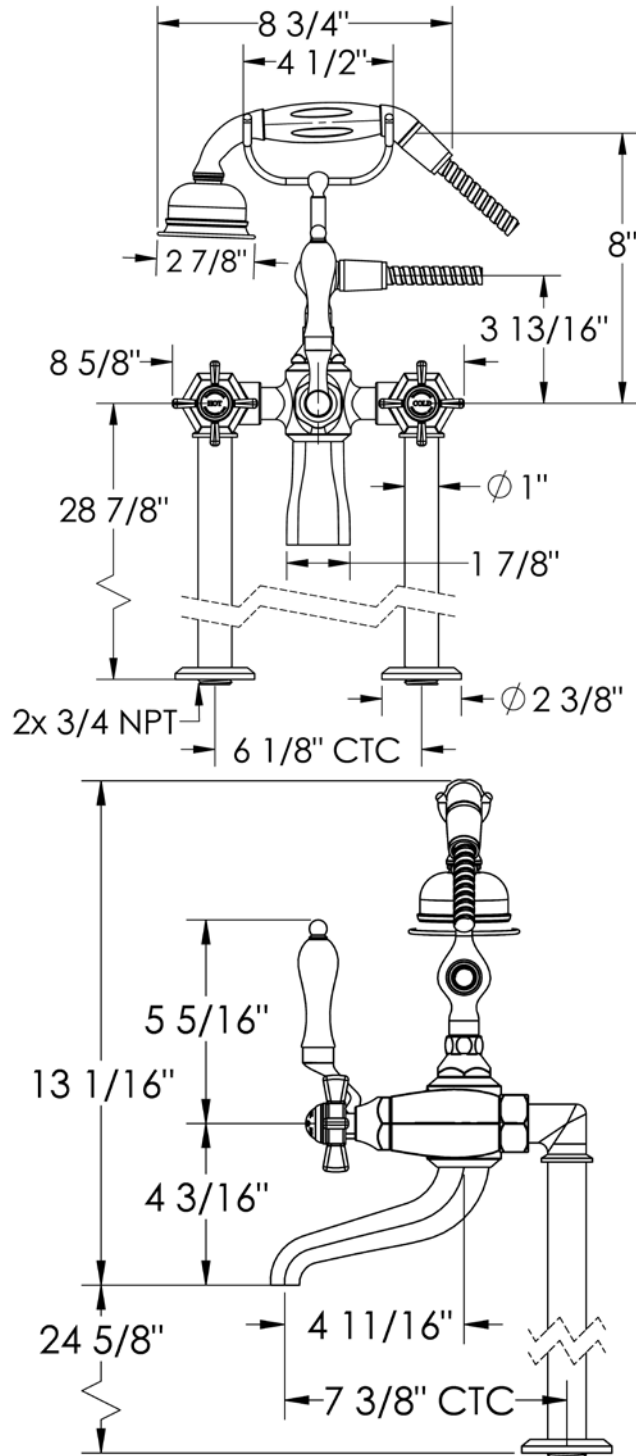
205-8.8-S1 / 312-8.8-S1

Floor Mounted Elevated Tub Filler with Handshower

12 GPM @ 45 PSI (Tub)

2.5 GPM @ 45 PSI (Handshower)

Note: Some building codes require remote pressure balance valves for anti-scald



WATERMARK DESIGNS