

# ELKAY® SPECIFICATIONS

## Lustertone® Single Bowl Lavatory Sink Models LLVR2017 and LLVR2017CS

### GENERAL

Highest quality sink bowl seamlessly formed of #18 gauge, type 304 (18-8) nickel bearing stainless steel. Self-rimming.

### DESIGN FEATURES

Bowl Depth: 6".

Finish: Exposed surfaces are polished to a non-directional soft satin finish.

Underside: Fully undercoated to dampen sound and prevent condensation.

### OTHER

**LLVR2017.** Faucet holes on 4" centers.

**LLVR2017CS.** Three faucet holes on 2" centers.

Drain Opening: 1-1/2", 2-1/4" O.D. at top of countersink. Arranged for standard lavatory type drain fitting.

Overflow: Sink comes with an overflow assembly.

NOTE: Unless otherwise specified, sink is furnished with 3 faucet holes as shown.

These sinks comply with ANSI Standard A112.19.3M.

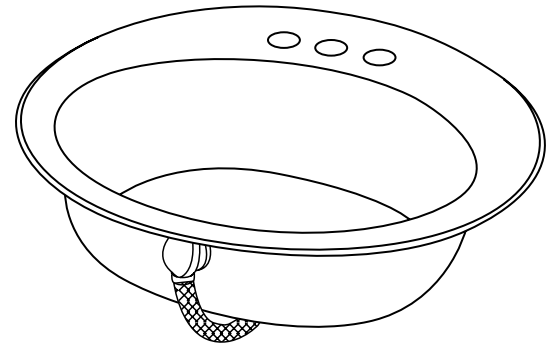


This sink is listed by the International Association of Plumbing and Mechanical Officials as meeting the requirements of the Uniform Plumbing Code.

### SINK DIMENSIONS (INCHES)\*

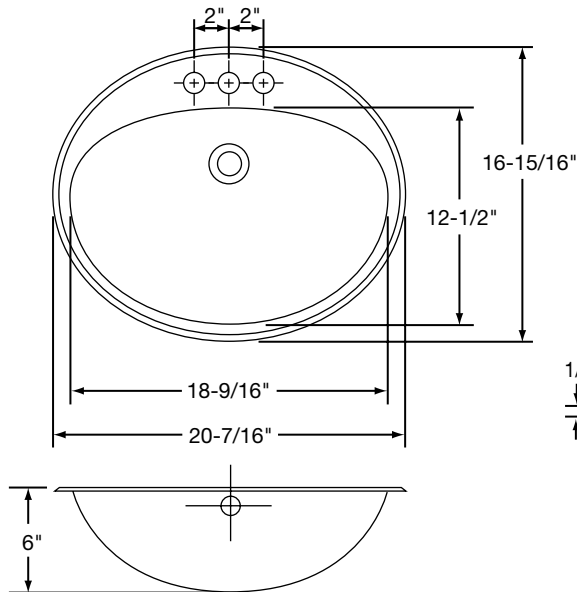
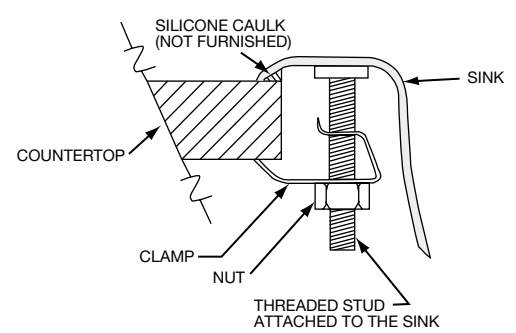
Model Number	Overall		Inside Bowl			Cutout in Countertop Use Sink Upside-down as template and cut 5/16" INSIDE Sink Outline.	1 1/4" Dia. Faucet Holes No. & Ctrs.	Minimum Cabinet Size	Ship. Wt. Lbs.
	L	D	L	W	D				
LLVR2017	20 <sup>7/16</sup>	16 <sup>15/16</sup>	18 <sup>9/16</sup>	12 <sup>1/2</sup>	6	1, 2 or 3 - 4" Ctrs.	27	8	
LLVR2017CS	20 <sup>7/16</sup>	16 <sup>15/16</sup>	18 <sup>9/16</sup>	12 <sup>1/2</sup>	6				3 - 2" Ctrs.

\*Length is left to right. Width is front to back.



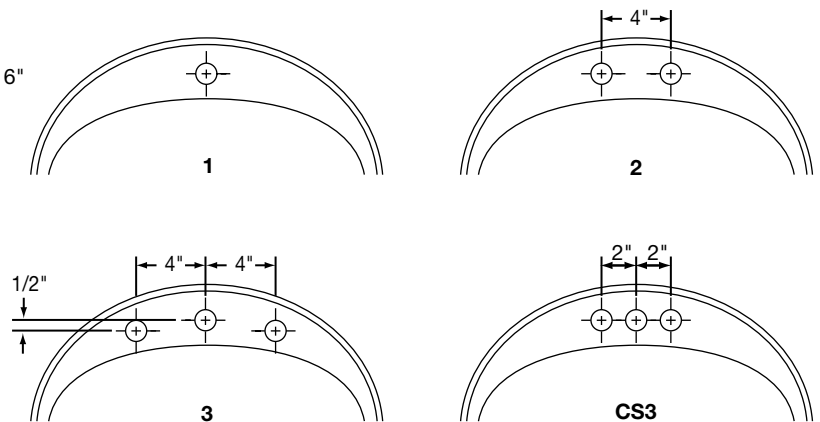
Model LLVR2017CS3

### Installation Profile



Model LLVR2017CS3 Illustrated

### HOLE DRILLING CONFIGURATIONS



ALL DIMENSIONS IN INCHES, TO CONVERT TO MILLIMETERS MULTIPLY BY 25.4.

In keeping with our policy of continuing product improvement, Elkay reserves the right to change product specifications without notice.

This specification describes an Elkay product with design, quality and functional benefits to the user. When making a comparison of other producers' offerings, be certain these features are not overlooked.