

# ITHACA

## Features

- Solid brass construction
- ADA compliant traditional lever handles
- 3-9/16" (9.0 cm) spout height at outlet
- 9-9/16" (24.3 cm) spout reach (c-c)
- Spout incorporates diverter valve (lift cap to activate handshower)
- - Intended for use with Newport Brass rough valve kit (Required

Accessory) which incorporates the following:

- Brass valve bodies, quick-connect spout fitting and hoses
- Quarter-turn washerless ceramic disc 3/4" valve cartridges

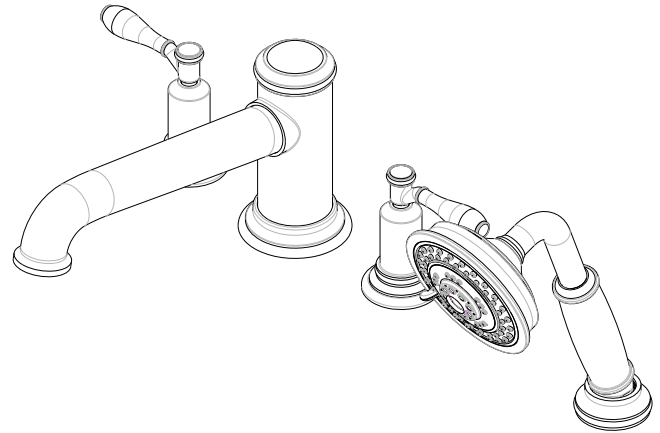
## Codes / Standards Compliance

Meets or exceeds the following at date of manufacture:

- ASME A112.18.1/CSA B125.1
- IAPMO/cUPC
- IPC
- ADA
- ICC/ANSI A117.1
- Energy Policy Act of 1992
- EPA Watersense
- All applicable US Federal and State material regulations

## Roman Tub with Handshower Deck Trim

# 3-2557



## Colors / Finishes

- 15: Polished Nickel
- 15S: Satin Nickel
- 26: Polished Chrome
- 10B: Oil Rubbed Bronze

• Other: Refer to the Newport Brass catalog for additional color/finish options.

## Specified Model

Model	Description	Colors / Finishes
3-2557	Roman Tub with Handshower Deck Trim	<input type="checkbox"/> 15 <input type="checkbox"/> 15S <input type="checkbox"/> 26 <input type="checkbox"/> 10B <input type="checkbox"/> Other

## Required Accessory:

Trim, above, and Rough Valve Kit, below, must both be specified.

Application	Roman Tub			Roman Tub with Handshower					
	Hot Valve	Cold Valve	Spout Quick-Connect Fitting	Hot Valve	Cold Valve	Spout Quick-Connect Fitting	Poly-Braided Hose	Handshower Diverter	H/S Flange Hardware
Inlet/Outlet Size	3/4"	3/4"	3/4"	3/4"	3/4"	3/4"	1/2"	3/4" / 1/2"	-
Part Number	<input type="checkbox"/> 1-570 + Handshower Rough			<input type="checkbox"/> 1-636 + Handshower Rough					
Image									

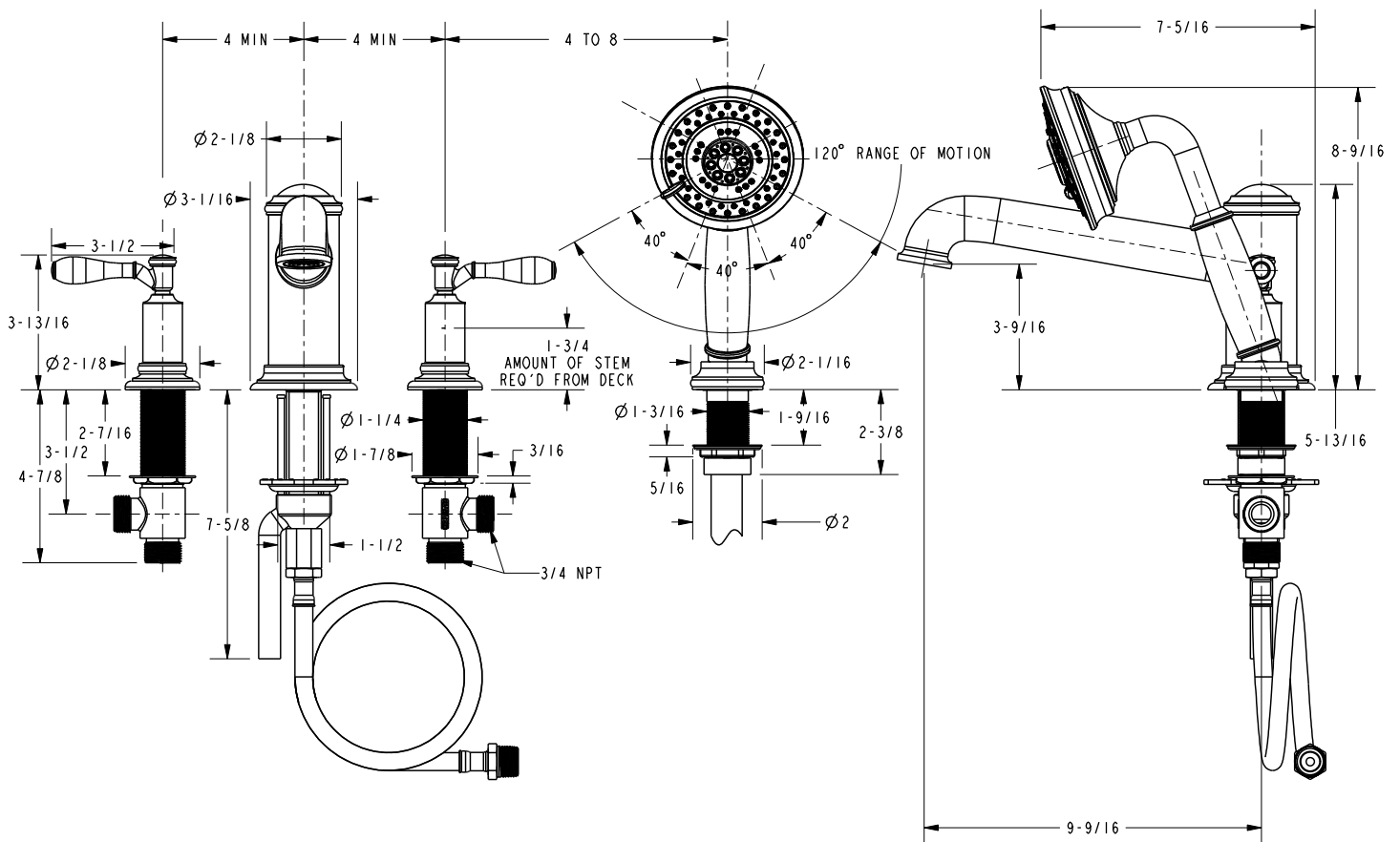
## Product Specification:

Add "Color / Finish" suffix to Tub Deck Trim model number, below.

The Roman Tub with Handshower Deck Trim shall be made of solid brass construction. Roman Tub with Handshower Deck Trim shall incorporate ADA compliant traditional lever handles. Product shall incorporate a 3-9/16" (9.0 cm) spout height at outlet and a 9-9/16" (24.3 cm) spout reach (c-c). Rough valve kit shall incorporate brass valve bodies with quarter-turn washerless ceramic disc 3/4" valve cartridges, a quick-connect spout fitting and a diverter valve with hoses as needed for handshower. Roman Tub with Handshower Deck Trim shall be Ginger Model 2557/\_\_\_\_ and Newport Brass rough valve kit shall be 1-636 + Handshower Rough.

# 3-2557

## Product Dimensions (units are in inches)



### Ithaca Roman Tub with Handshower Deck Trim 3-2557