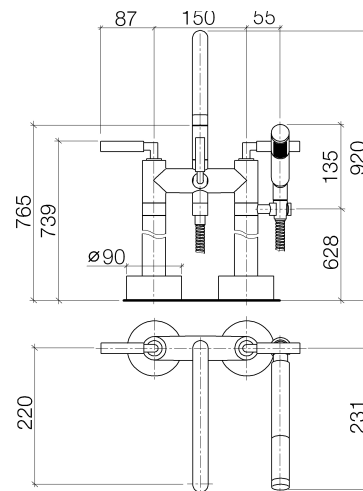




**Product specifications**

- **8 5/8" projection**
- Swivel spout 180°
- M 22 x 1 aerator – female thread
- Back flow preventer in shower outlet
- 1/2" ceramic disc cartridge
- Diverter
- Hand shower to be mounted on right pillar
- Hand shower with descaling system and back flow preventer
- 3/8" x 1/2" x 49 1/4" shower hose with rotating hose connector
- Riser flange diameter 3 1/2"
- Total height 36 1/4"
- Height to aerator/spout outlet 30 1/8"
- Riser height 24 3/4"
- Center to center 5 7/8"
- Hand shower water flow rate limited to max. 2.5 gpm
- Internal back flow preventer





Spout projections 10 1/4" or 11 7/8" on request.  
Accessories available for mounting on left riser (or  
exchange shower bracket for wall bracket)  
[ADA]

**NOTE: Local building codes may require the  
use of an anti-scald device. Please refer to  
remote pressure balanced valve (35 910 970 90)**

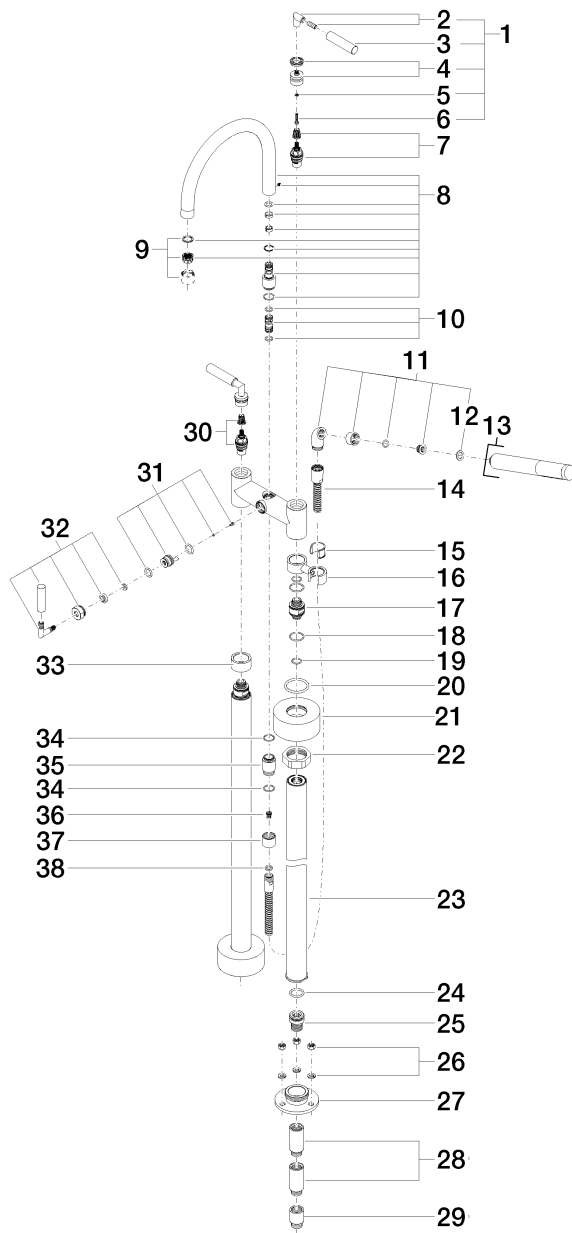
### Surfaces

- |                 |             |
|-----------------|-------------|
| • chrome        | 25943882-00 |
| • chrome        | 25943882-00 |
| • matt platinum | 25943882-06 |
| • matt platinum | 25943882-06 |
| • platinum      | 25943882-08 |
| • platinum      | 25943882-08 |
| • matt white    | 25943882-10 |
| • matt white    | 25943882-10 |
| • matt black    | 25943882-33 |
| • matt black    | 25943882-33 |

### Accessories required

- Rough for floor mounted spout/mixer; 35944970
- Rough for floor mounted spout/mixer; 35944970

**Exploded assembly drawing**



**Order quantity**

<b>No.</b>	<b>Article number</b>	<b>Name</b>	<b>Installation quantity</b>
1	04208805200ff	handle	2
2	04182002200ff	angle	2
3	092088052ff	handle	2
4	90121200700ff	base	2
5	09301102990	disc	2
6	09303007590	screw	2
7	9090031300090	top	1
8	90282222200ff	spout	1
9	90230102400ff	aerator	1
10	9021100110090	diverter	1
11	04240418900ff	nipple	1
12	09142000290	seal	1
13	28010979ff0010	shower	1
14	093002072ff	hose	1
15	09184003590	sleeve	1
16	04281002901ff	holder	1
17	09290502190	nipple	2
18	09141011290	seal	4
19	09141005590	seal	4
20	09141004190	seal	2
21	092789025ff	rosette	2
22	092330040-07	nut	2
23	04282200900ff	connection	2
24	09141008190	seal	2
25	092403094-07	nipple	2
26	0423100230090	fixing set	1
27	093011130-07	connection	2
28	0924030811090	extension	4
29	09240308090	extension	2

---

<b>30</b>	9090031310090	top	1
<b>31</b>	9015010050090	insert	1
<b>32</b>	90182002500ff	diverter	1
<b>33</b>	092810028ff	sleeve	1
<b>34</b>	09141003290	seal	2
<b>35</b>	092403121ff	nipple	1
<b>36</b>	09230113190	back-flow preventer	1
<b>37</b>	092102143ff	sleeve	1
<b>38</b>	09142002690	seal	1

