



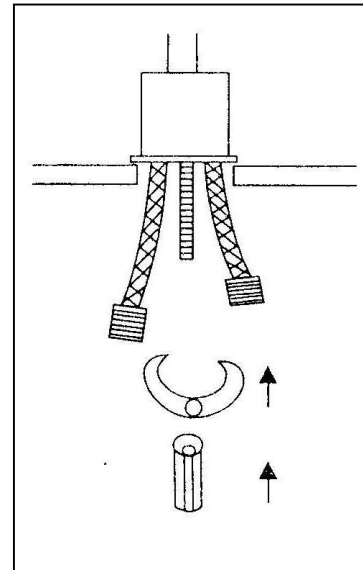
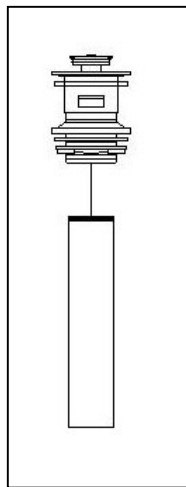
Model # 5289

INSTRUCTIONS

1. Place the faucet body over the hole in the counter or washbasin so that the supply lines and shank rod go through the hole. Place the metal washer and mounting nut onto the shank rod and tighten.
2. Connect the water supply lines to the water main.
3. Remove the aerator and run hot and cold water through the faucet for one minute each. Replace the aerator.
4. Run water through the faucet and check for leaks, especially where the water main connects to the faucet supply lines.

Drain Assembly

1. Use Teflon tap to connect the drain body to the tube. Insert the drain unit into the drain hole and tighten using the mounting nut.



CARE AND MAINTENANCE

Minimum Maintenance is required to maintain product finish. With proper maintenance your CHEVIOT Faucet will continually look like new. Special care should be taken when cleaning your faucet and the following suggestions should help extend your faucet life.

- a) Cleaning should be done regularly using a soft cotton cloth and warm water, then towel dry.
- b) Do not use cleaners that contain abrasives or harsh chemicals; Care should be taken in selecting cleaning supplies. Many cleaners contain detergents, ammonia, or other corrosive solvents that could damage your faucet finish.
- c) occasionally clean with a non-abrasive wax polish.

Tel : (800)-444-5969
www.cheviotproducts.com