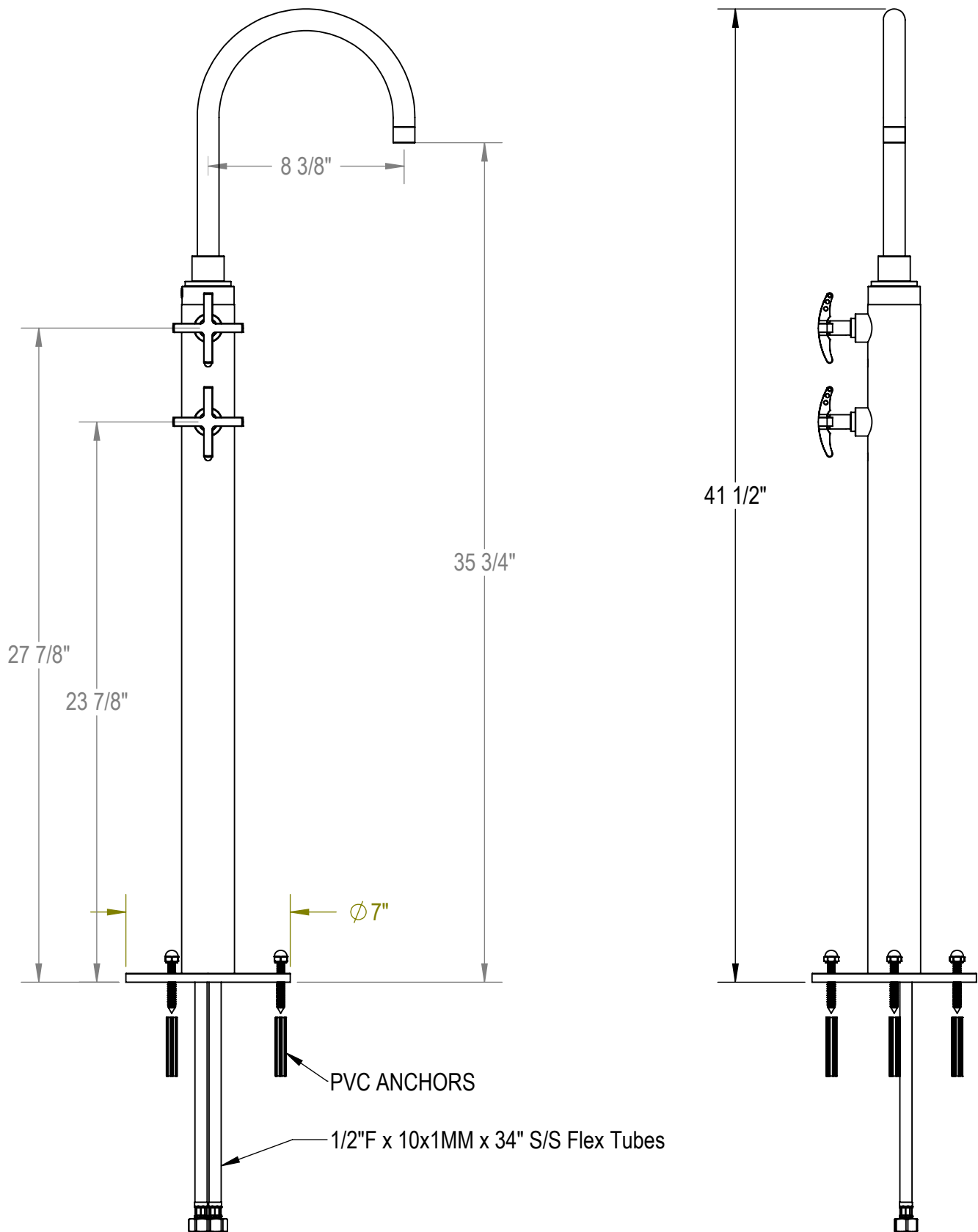


Floor Mount Tub Filler 3FRBLAC

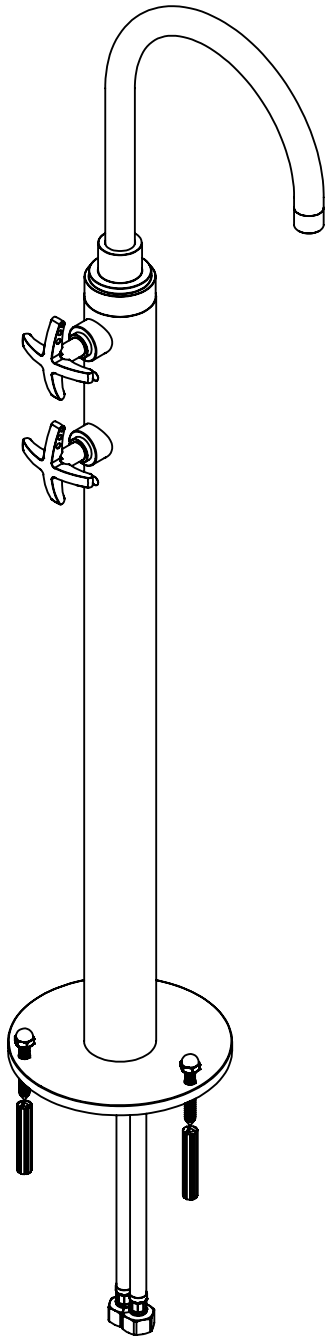


TEL: 905-851-6781
FAX: 905-851-8031
TOLL FREE: 800-461-5901

THE **Rubinet** FAUCET COMPANY

www.rubinet.com

Floor Mount Tub Filler 3FRBLAC



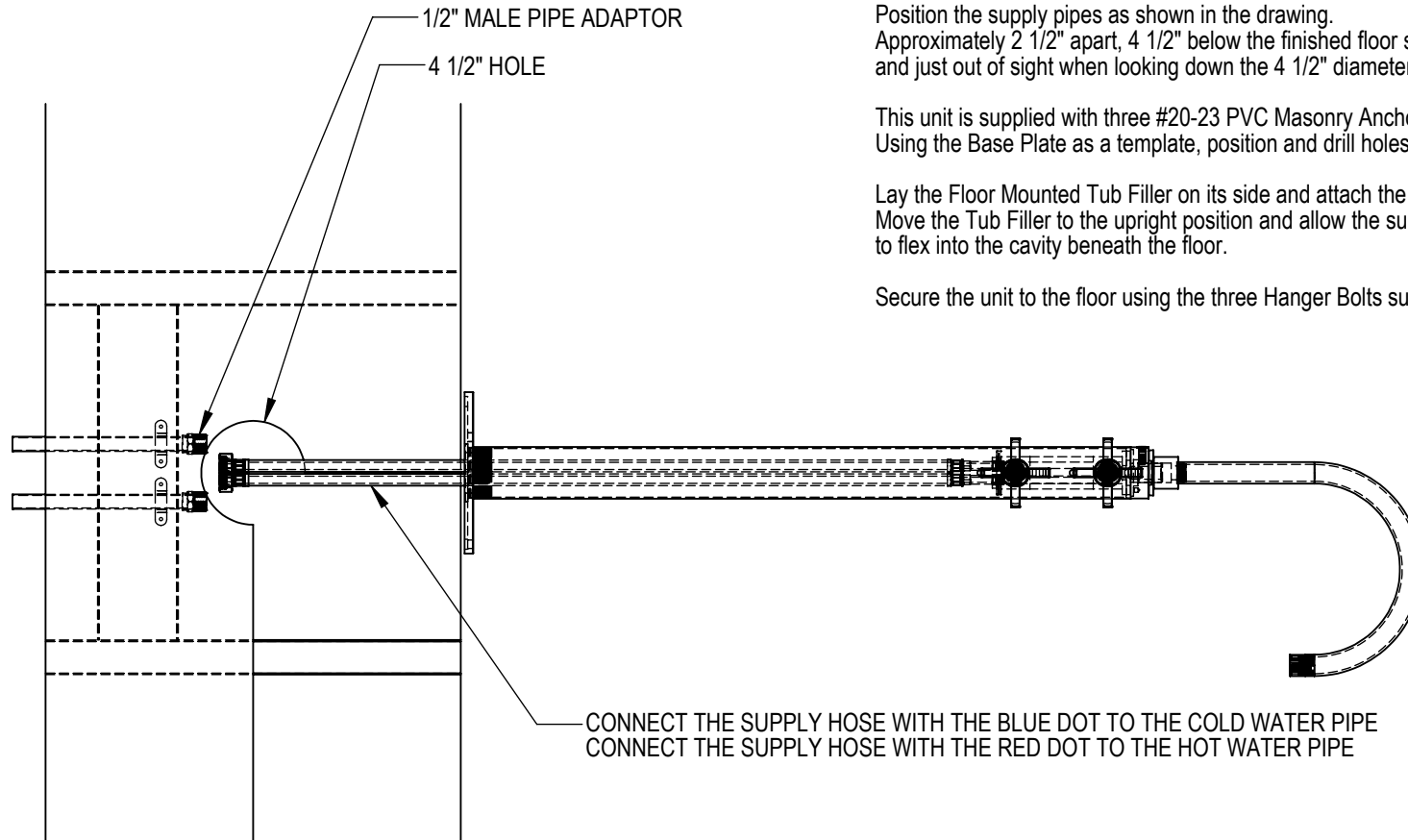
ITEM	QTY.	PartNo	DESCRIPTION
1	1	9Y0HOPD1A	Pedestal Body Complete
	1	9Y0HOPD1B	Pedestal Body Sleeve
	1	9X0HOPD1C	Pedestal Base Inner Sleeve - HO
	1	9Y0HOPD1C	Pedestal Base Plate - HO
2	1	9XVLBPD1B	Valve Body Pedestal Tub
3	2	9XVLCSW1B	Cartridge Ceramic (16) Hot
4	2	9Y0HOFA1B	Flange - HO
5	2	9XFLTSR07	1/2"Fx10x1Mx34" Flex Tube
6	2	9XORN0029	O-RING MB 3 - 6.5 MM
7	1	9Y0LASR1A	Roman Tub Spout - LA
	1	9Y0LASR1B	Spout Tub Base - LA
	1	9Y0ATSK1B	Spout Kitchen - AT
	1	9XORN0002	O-RING MB 3.5 - 20 MM
	1	9XSCRSR01	Set Screw M8 x 1.25 x 10 MM
	1	9Y0ETHA1E	Handle Index Cap - ET
	1	9XAERSW4B	Aerator Adaptor - LA
8	1	9YAERSR4A	Aerator Tub - LA
	1	9YAERSW4B	Aerator Shell - LA
	1	9XAERSW1D	Washer 16 x 21.2 x 3 MM
	1	9XAERSR1C	Aerator Tub Insert
9	2	9Y0LAHA1A	Cross Handle - LA
	1	9Y0LAHA1B	Handle Cross - LA
	1	9Y0LAHA1C	Handle Mount - LA
	1	9XSCRHA10	Screw Handle 10-24 UNC - 3/8"
	1	9XSCRHA01	Set Screw 8-32 UNC x 1/8"
10	2	9XVLCBX01	Broach Extension 9.5x16 - 9.5x16
11	2	9XSCRHA14	Screw Handle M4 X 0.7 X 20 MM
12	3	9Y0HOPD1E	Tie-down Bolt & Cap Nut
	1	9X0HOPD1F	Hanger Bolt 5/16-18x2.5
	1	9Y0HOPD1F	Acorn Nut 5/16"-18
13	1	9Y0SCHA1D	Handle Button Blue LG SC
14	1	9Y0SCHA1E	Handle Button Red LG SC
15	3	9X0HOPD1G	PVC Anchor (Floor Mount) - HO
16	3	9X0HOPD1H	Washer (TEFLON) 8 X 12.5 X 1.25 MM

TEL: 905-851-6781
 FAX: 905-851-8031
 TOLL FREE: 800-461-5901

THE **Rubinet** FAUCET COMPANY

www.rubinet.com

Floor Mount Tub Filler 3FRBLAC



INSTALLATION DETAILS:

Position the supply pipes as shown in the drawing. Approximately 2 1/2" apart, 4 1/2" below the finished floor surface and just out of sight when looking down the 4 1/2" diameter hole.

This unit is supplied with three #20-23 PVC Masonry Anchors 2 1/2" long. Using the Base Plate as a template, position and drill holes 15/32" or 7/16" in the floor.

Lay the Floor Mounted Tub Filler on its side and attach the supply hoses. Move the Tub Filler to the upright position and allow the supply tubes to flex into the cavity beneath the floor.

Secure the unit to the floor using the three Hanger Bolts supplied.

CONNECT THE SUPPLY HOSE WITH THE BLUE DOT TO THE COLD WATER PIPE
CONNECT THE SUPPLY HOSE WITH THE RED DOT TO THE HOT WATER PIPE