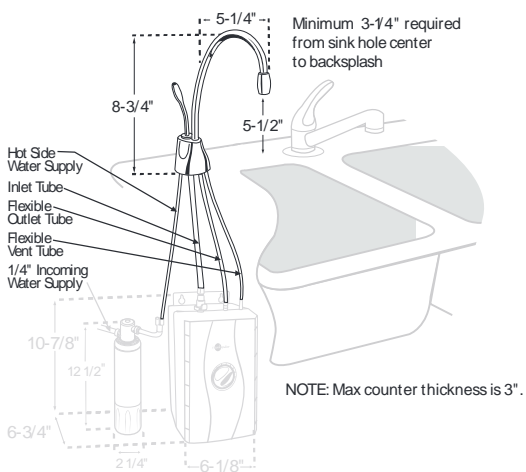




The Next Necessity



Dimensions



Instant Hot Water Dispensers



F-GN1100

Our finest line of instant hot water dispensers for use with our Hot Water Tank for filtered near-boiling 200 °F water

Tank with filter sold separately (HWT-F1000S)

Submittal Sheet

- Hot Only Dispenses near-boiling 200 °F water
- Graceful high-arching spout swivels for greater convenience and stylish integrated lever provides a dramatic look
- Hot lever automatically shuts off
- Durable all brass faucet construction
- We Come To You 5-Year In-Home Limited Warranty*
- For use with InSinkErator Hot Water Tank and F-1000S Filtration System
- Available in these designer finishes: white, biscuit, French gold, satin nickel, polished nickel, chrome, brushed chrome, mocha bronze, oil rubbed bronze, matte black and gloss black

Specifications

Valve	Instant, self-closing
Shipping Weight	Approximately 4.0 lbs.
Required Hole Diameter	1-1/4" □ 1-1/2" standard sink hole



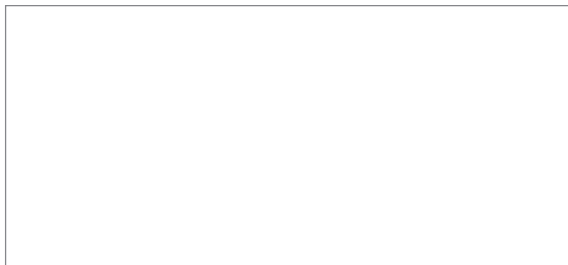
Sample Specification

Instant hot water dispenser(s) shall be InSinkErator Model F-GN1100 with 2/3-gallon hot water tank, adjustable temperature from 160 °F to 210 °F and instant, self-closing hot valve.

Warranty:
5-year parts and in-home service.

* The complete InSinkErator warranty is included in the Care & Use booklet packed with each unit.

Job Specifications



Complies with California Lead Plumbing Law

USA
1-800-558-5700
www.insinkerator.com

Canada
1-800-558-5700
www.insinkerator.ca



The Emerson logo is a trademark and a service mark of Emerson Electric Co. InSinkErator may make improvements and/or changes in the specifications at any time, in its sole discretion, without notice or obligation and further reserves the right to change or discontinue models. © 2013 InSinkErator, a business unit of Emerson Electric Co. All Rights Reserved.