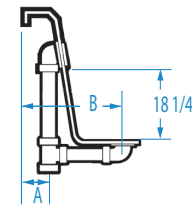
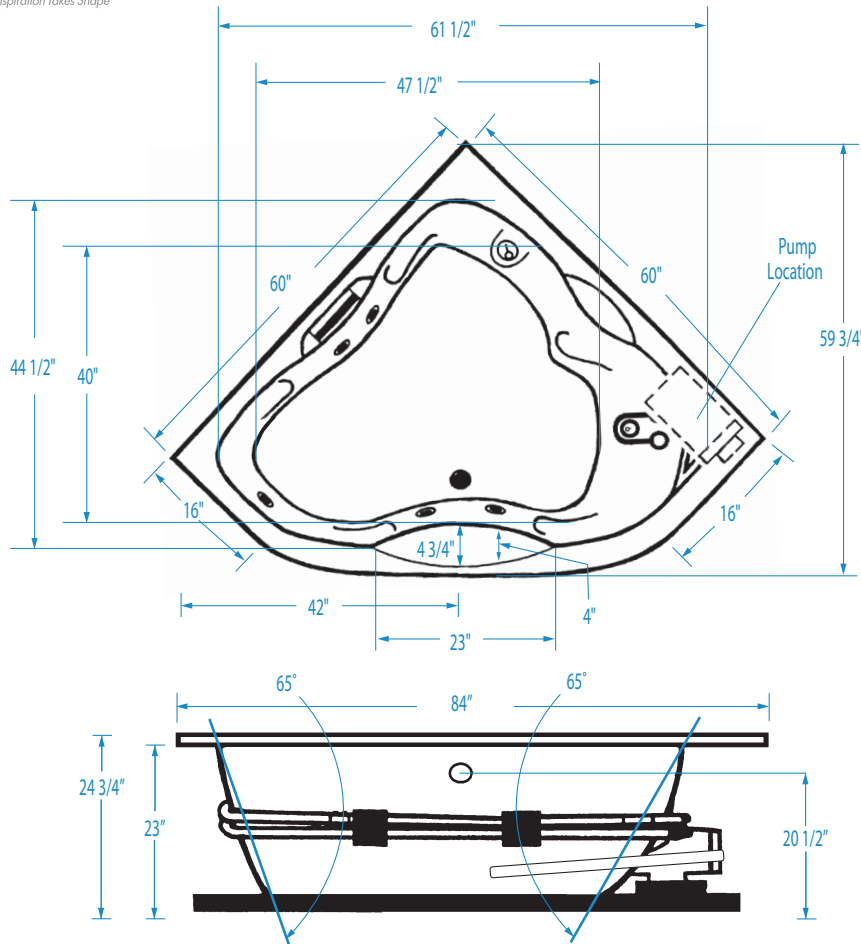


# POINT ARENA

60 x 60 x 24 3/4 (1525 x 1525 x 630) inches (mm)



Note: For Air-whirlpool, no alternate pump/blower location available.



**FEATURES** lbs (kg) Dimensional Tolerance ± 3/8". Dimensions needed for site preparation should be measured from the unit. Aquatic assumes no responsibility for preparatory work.

Type and Model #	Material	Jets	Pump	Air System	Blower	Heater	Controls	Drain	Pkg. Wt.
Whirlpool #A16060DC	Acrylic	9	1.75 HP	-	-	1.5 kw Inline (optional)	Electronic	Center Front	271 (123)
Air-Whirlpool #A124LUX6060	Acrylic	9	1.75 HP	Channel	Variable speed	1.5 kw Inline	Electronic	Center Front	300 (136)

## DIMENSIONS inches (mm)

Width Overall / Net	Depth Overall / Net	Height Overall / Net	Skirt Height
60 (1525)	60 (1525)	24 3/4 (630) / 23 (585)	-

## SUMP DATA inches (mm)

Capacity to Overflow gal (ltr)	Min. Operating Capacity gal (ltr)	WIDTH @ centerline		DEPTH @ centerline	
		Top	Bottom	Top	Bottom
115 (435)	96 (363)	61 1/2 (1560)	47 1/2 (1205)	44 1/2 (1130)	40 (1015)

## PLUMBING DIMENSIONS inches (mm)

A	B	Drain Diameter / Clearance
6 3/4 (170)	14 (355)	2 (50)/1 1/8 (30)

## ELECTRICAL DATA

Component	Specification	Requirement
Pump	1.75 HP; 12 AMP; 120V	15 AMP; 120V, separate circuit; Class A GFCI
Inline Heater	1.5 kW; 12 AMP; 120V	15 AMP; 120V, separate circuit; Class A GFCI
Blower	1.0 HP; 9.5 AMP; 120V	15 AMP; 120V, separate circuit; Class A GFCI

NOTES:  
1) Where applicable, utilize cut-out templates packed with unit for deck cutouts.

2) 16 x 16 (405 x 405) minimum access required at pump/blower location(s).

NOTE:  
1) This whirlpool must be hard wired to the breaker box. Three outlets will be supplied on the air-whirlpool.