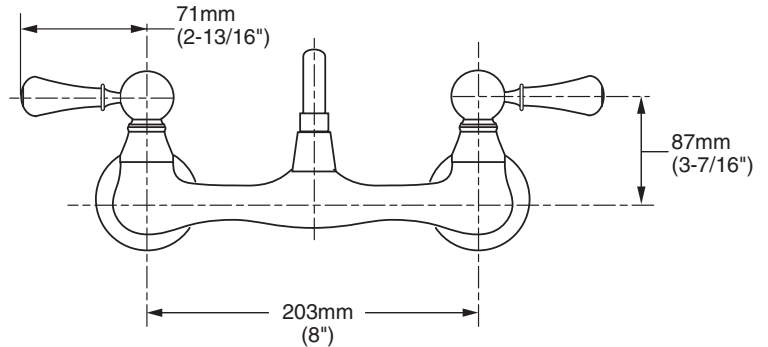
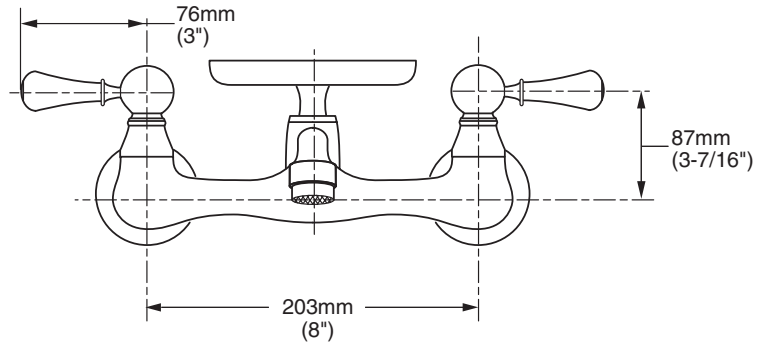
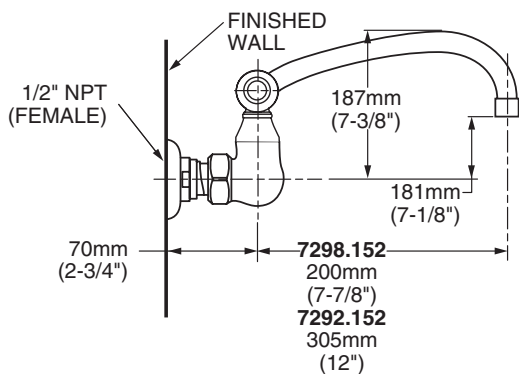
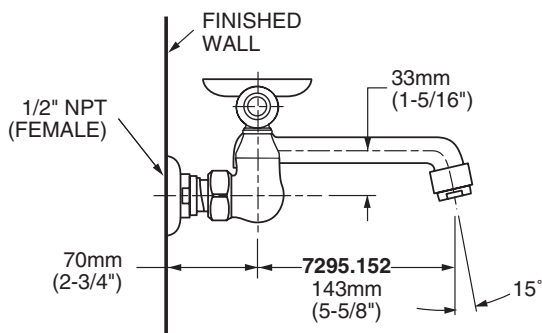


7295.152 Shown

MODEL NUMBER:

- 7295.252 Wall-Mount Sink Faucet**
5-5/8" cast swivel spout. Porcelain Lever Handles. Soap Dish.
- 7298.252 Wall-Mount Sink Faucet**
8" tubular swivel spout. Porcelain Lever Handles.
- 7292.252 Wall-Mount Sink Faucet**
12" tubular swivel spout. Porcelain Lever Handles.



GENERAL DESCRIPTION:

Durable brass construction throughout. Amarelis 1/4 turn washerless ceramic disc valve cartridges. One-half inch NPT female inlets with brass coupling nuts. 2.2gpm/8.3L/min. maximum flow rate.

PRODUCT FEATURES:

Ceramic Disc Valve Cartridges: Assures a lifetime of drip-free performance.

Solid Brass Construction: Durable - Excellent in high use applications. Ideal for prolonged contact with water.

Lead Free: Faucet contains ≤ 0.25% total lead content by weighted average.

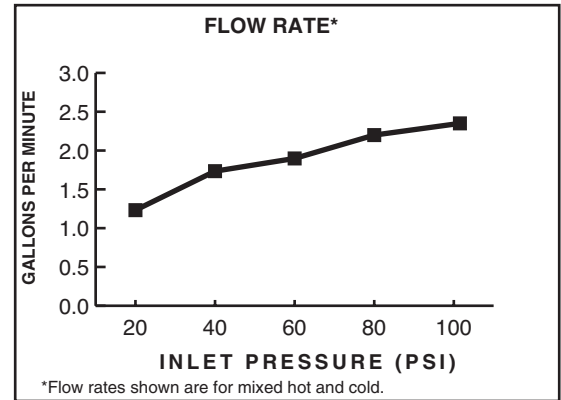
SUGGESTED SPECIFICATION:

Wall-mount sink faucet shall be cast brass construction with all brass coupling nuts. Shall also feature 1/4 turn washerless ceramic disc valve cartridges. Fitting shall be American Standard Model # _____.


CODES AND STANDARDS

These products meet or exceed the following codes and standards:

- ANSI A117.1**
- ASME A112.18.1**
- CSA B 125**
- NSF 61/Section 9 & Annex G**



Product Number	Description	Finish
		Polished Chrome
		002
7295.252	Wall-mount sink faucet. 5-5/8" cast swivel spout. Porcelain Lever Handles. Soap dish.	
7298.252	Wall-mount sink faucet. 8" tubular swivel spout. Porcelain Lever Handles. Less soap dish.	
7292.252	Wall-mount sink faucet. 12" tubular swivel spout. Porcelain Lever Handles. Less soap dish.	

 Meets the American Disabilities Act Guidelines and **ANSI A117.1** Requirements for the physically challenged.