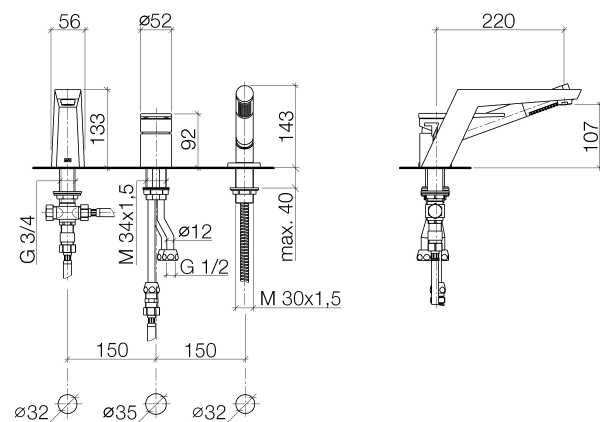


### Product specifications

- **8 5/8" projection**

- Fixed spout
- M 24 x 1 aerator – male thread
- Back flow preventer in shower outlet
- Sleeve for cartridge screw
- 1x 1/2" copper pipe, 6 3/4"
- Outlet 1/2"
- xSTREAM ceramic disc cartridge
- Automatic diverter
- Hand shower with descaling system and back flow preventer
- Metal shower hose 88 5/8", consisting of 1 pc. 19 5/8" chrome plated metal hose and 1 pc. 689" flex line
- 3x compression connection 1/2" x 1/2"
- Total height 5 1/4"
- Height to aerator/spout outlet 4 1/4"
- Spout hole diameter 1 3/8"
- Valve / hand shower hole diameter 1 1/4"
- 2x 1/2" copper pipe (cold/hot), 3 7/8"





- 20° x 1/2" x 1/2" angle
- Shower hose guide
- Hand shower water flow rate limited to max. 2.38 gpm

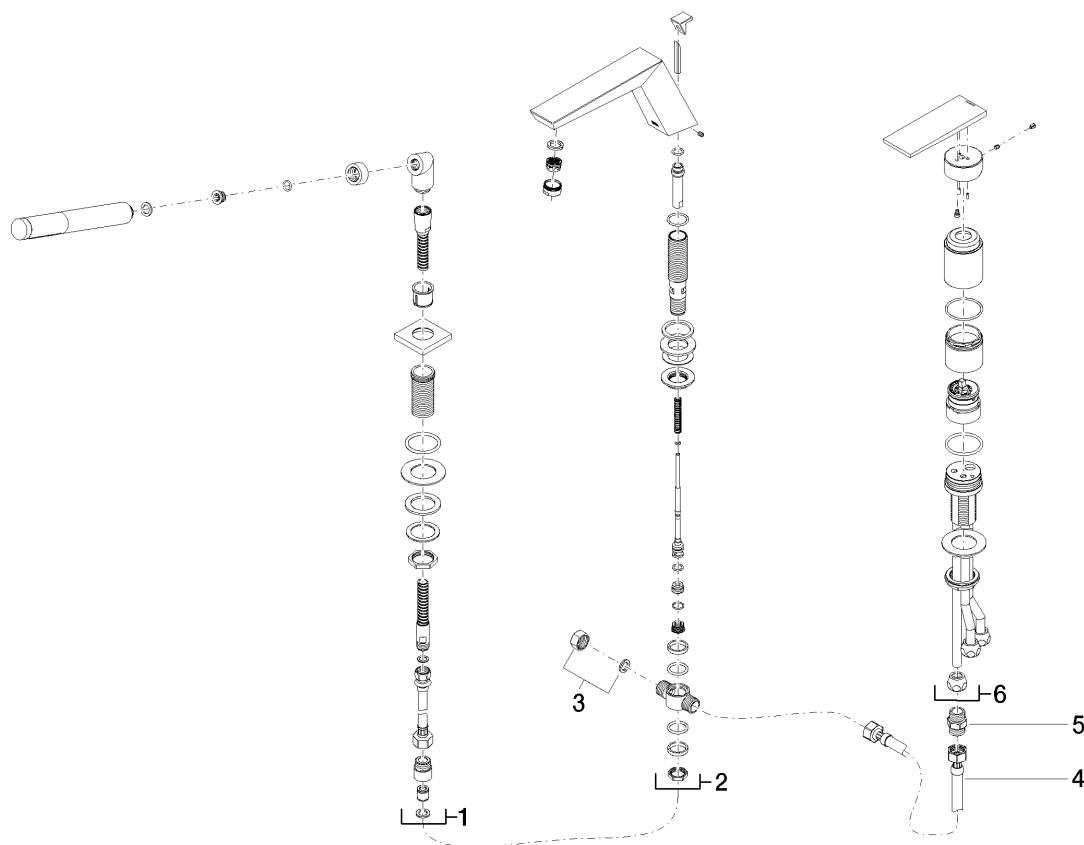
---

Internal backflow preventer.

### **Surfaces**

- |             |             |
|-------------|-------------|
| • chrome    | 27312730-00 |
| • chrome    | 27312730-00 |
| • champagne | 27312730-47 |
| • champagne | 27312730-47 |

**Exploded assembly drawing**



**Order quantity**

<b>No.</b>	<b>Article number</b>	<b>Name</b>	<b>Installation quantity</b>
1	27708780ff	shower set	1
2	13512730ff	spout	1
3	0421020060092	cap	1
4	1250297090	hose	1
5	0924031681090	nipple	1
6	29200730ff	connection	1

