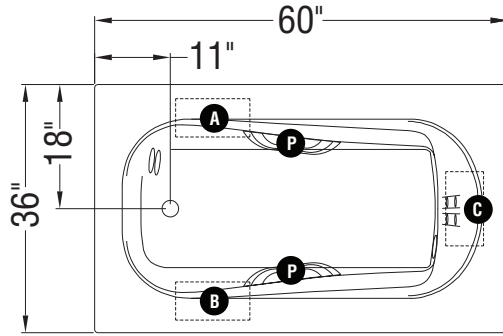
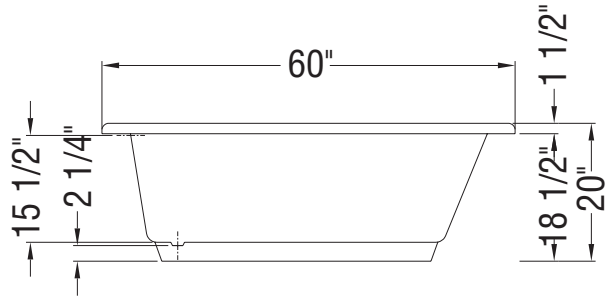
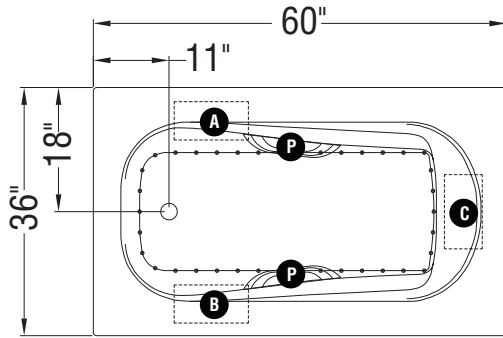


**TRUE WHIRLPOOL
SYSTEM**



**AEROEFFECT
AIR SYSTEM**



- A** : Indicates pump or blower positioning
- B** : Indicates pump or blower positioning
- C** : Indicates pump or blower positioning
- P** : Indicates optional grab bars positioning

(○) : Indicates True Whirlpool jets positioning

(●) : Indicates Aeroeffect airjets positioning

* A or B pump location could exceed by one in. on combo.