

TOTO®

MS970CEMFG

Washlet® with Integrated Toilet G500, 1.28 GPF and 0.9 GPF

FEATURES

- Dual-Max® cyclone flushing system, high efficiency (1.28GPF/4.8LPF & 0.9 GPF/3.4 LPF)
- SanaGloss® ceramic glaze - SanaGloss glaze prevents debris, and mold from sticking to ceramic surfaces, leading to fewer chemicals and less water in cleaning.
- Universal height.
- Skirted design.
- Elongated front bowl.
- 12" Rough-In
- Auto lid open/close, auto flush
- Convenient slim wireless remote, with illuminated touch pad.
- Heated seat with temperature control.
- Gentle Aerated, Warm Water, Dual Action Spray with oscillating and pulsating feature
- Adjustable water temperature and volume
- Warm air drying with five variable temperature settings
- Automatic air deodorizer
- Energy saver timer.
- Built-in air purifying system.

MODELS

- MS970CEMFG
With SanaGloss ceramic glaze

COMPONENTS

- SN970M - Washlet Unit
- CT970CEMFG - Elongated Bowl with SanaGloss

COLORS/FINISHES

- #01 Cotton
- #12 Sedona Beige

PRODUCT SPECIFICATION

The G500 uses TOTO's Dual-Max® Cyclone flushing system. Toilet shall be 1.28GPF/4.8LPF and 0.9 GPF/3.4 LPF. Toilet shall have SanaGloss ceramic glaze. Toilet shall be of skirted design, elongated front bowl with auto open and close seat with universal height. Toilet shall be TOTO Model MS970CEMFG_____.



DUAMAX®
FLUSHING SYSTEM BY TOTO

SanaGloss

CYCLONE®
FLUSHING SYSTEM BY TOTO

CODES/STANDARDS

- Meets and exceeds ASME A112.4.2, ASME A112.19.2/CSA B45.1, ASME A112.18.1/CSA B125.1, UL 1431, CSA C22.2 # 68
- Certifications: IAPMO(cUPC), State of Massachusetts, City of Los Angeles and others
- Code Compliance: UPC, IPC, NSPC, NPC Canada, and others
- ADA Compliant



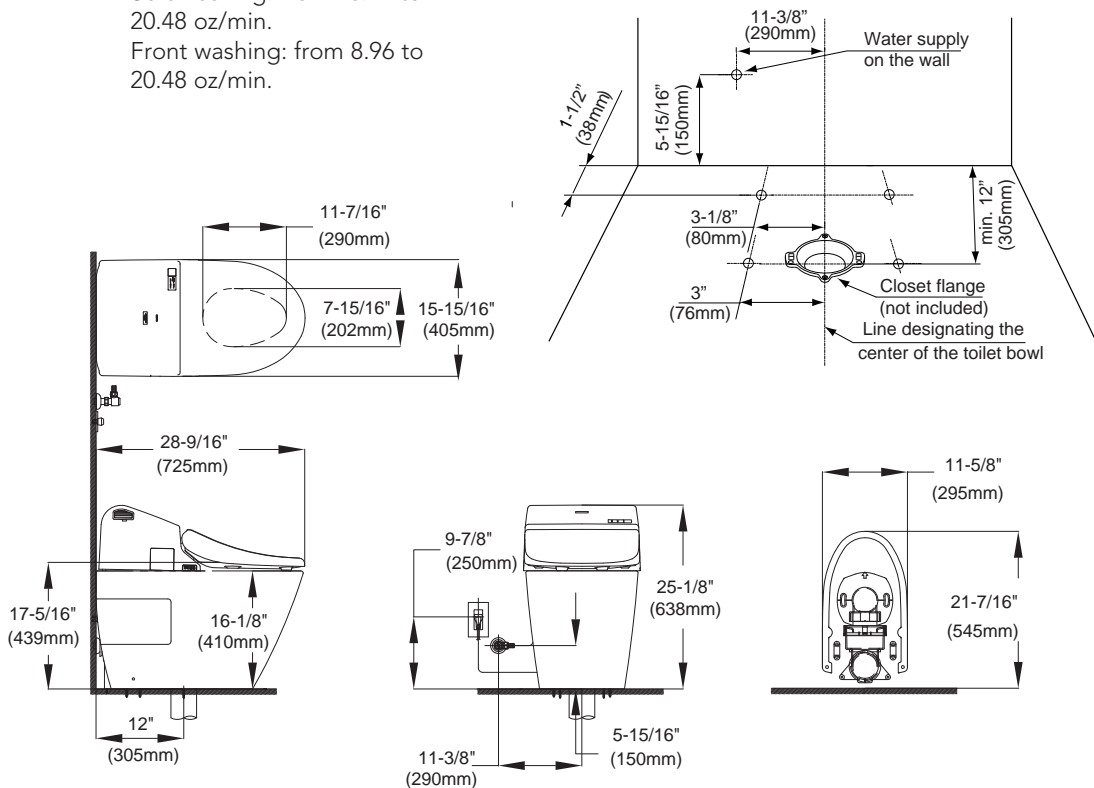
MS970CEMFG

Washlet® with Integrated Toilet G500, 1.28 GPF and 0.9 GPF

SPECIFICATIONS

Water Use:	1.28 Gpf/4.8 Lpf with alternate 0.9 Gpf/3.4 Lpf
Flush System:	Dual Max® Cyclone Siphon Jet
Water Supply:	Min 7.25PSI(0.05MPa) Dynamic Max 108.5PSI (0.75MPa) static
Water Surface:	5-3/8" x 4-5/8"
Trap Diameter:	2" (51 mm)
Rough In:	12" rough in Warning: If there is a base board in the rest room, the center of the floor drain should be a minimum of 12" from the base board.
Trap Seal:	2-1/8" (54 mm)
Warranty:	One Year Limited
Material:	Bowl: Vitreous china Seat and cover: Plastic
Shipping Weight:	CT970CEMFG 90Lbs SN970M 22Lbs
Shipping Dimensions:	CT970CEMFG 29"x16"x17-1/8" SN970M 31-1/8"x17-3/4"x11-7/8"
Power Rating	120V AC, 60 Hz. 406W
Power Cord	Maximum length: 3.6ft (110 cm)
Water Feature	Adjustable Water Flow Rate Rear washing: from 10.24 to 20.48 oz/min. Soft washing: from 10.24 to 20.48 oz/min. Front washing: from 8.96 to 20.48 oz/min.

Drying Feature	Temperature of Washing Spray Minimum: 86° F/30° C Maximum: 104° F/40° C Water heater Capacity: 250W Water heater tank volume: 25.6 oz (0.78L) Safety Features: Temperature fuse, Bi-metal sensor (auto reset), and Float switch (prevent boil) Air Temperature: High: About 140°F/60°C Low: About 95°F/35°C Capacity of Air: 9.54 ft³/min Safety Feature: Temperature Fuse
Seat Warming Feature	Surface Temperature: Minimum: 82° F/28° C Maximum: 97° F/36° C Safety Feature: Thermal fuse
Ambient Temperature	Range: 33°F/1°C to 104°F/40°C



TOTO®

These dimensions and specifications are subject to change without notice