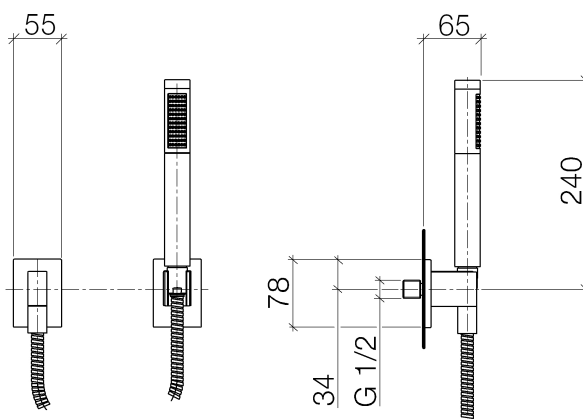




Product specifications

- 3/8" shower outlet
- Hand shower bracket
- Hand shower with descaling system and back flow preventer
- 3/8" x 1/2" x 49 1/4" shower hose with rotating hose connector
- 3 1/8" x 2 1/8" flange
- 1/2" wall elbow with back flow preventer
- Water flow rate limited to max. 2 gpm



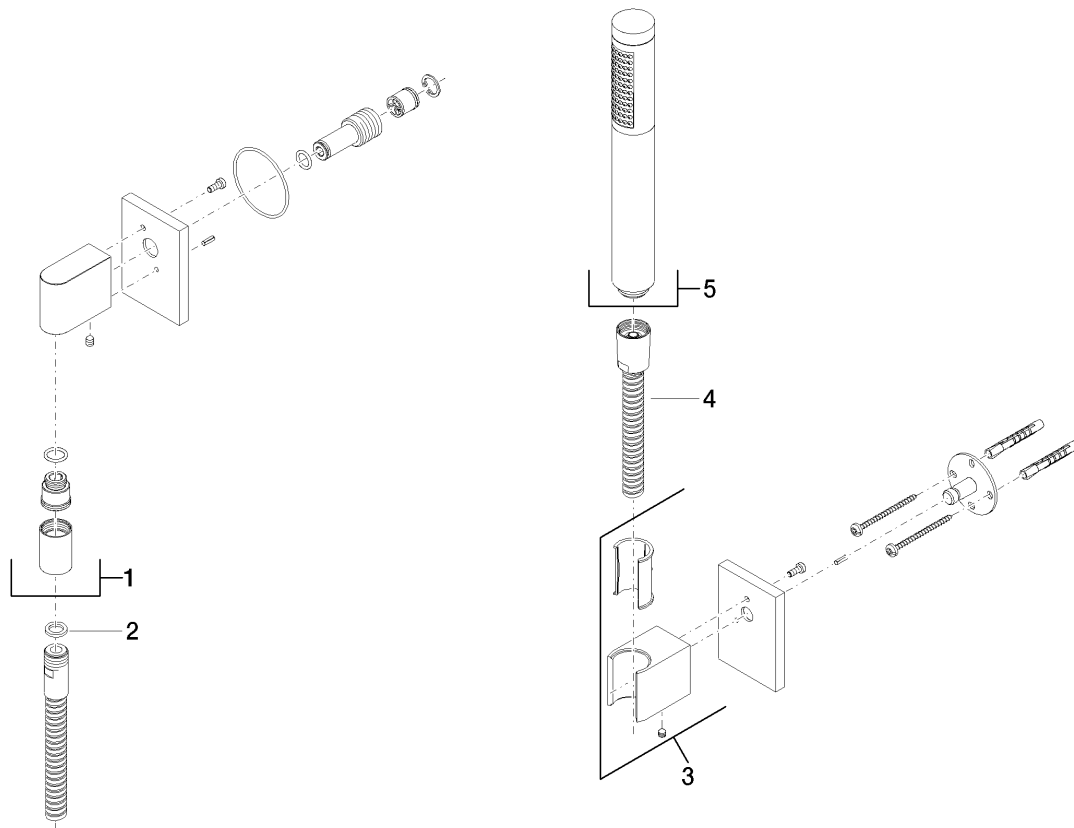
Surfaces

- | | |
|-------------|-------------|
| • chrome | 27808730-00 |
| • chrome | 27808730-00 |
| • champagne | 27808730-47 |
| • champagne | 27808730-47 |

Accessories required

- Rough-in adaptor; 35080970
- Rough-in adaptor; 35080970

Exploded assembly drawing





Order quantity

No.	Article number	Name	Installation quantity
1	28450730ff	connection	1
2	09142002690	seal	1
3	28050730ff	holder	1
4	093002072ff	hose	1
5	28010979ff	shower	1

