

SPECIFICATIONS

PRINCE™ TWO HANDLE CENTERSET LAVATORY FAUCET

Model

D301010

Description

- Ceramic disc cartridges
- Metal lever handles
- 1.5GPM(5.7L/min) maximum aerator @60 psi
- 3 hole installation
- Metal touch-down drain
- Low lead waterways per CA AB 1953
- Fully ADA compliant
- Limited lifetime warranty

Standards



- NSF 61-9
- Energy Policy Act of 1992



- ASME A112.18.1M/A112.18.1
- NSF/ANSI 372

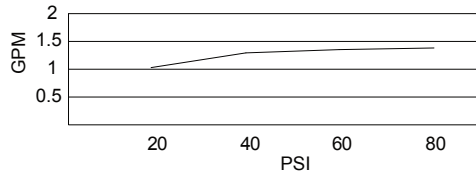


- ADA Accessibility Guidelines for Buildings and Facilities - 4.27.4 Controls and Mechanisms

Warranty

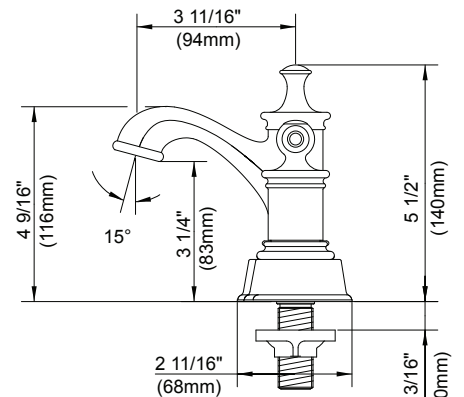
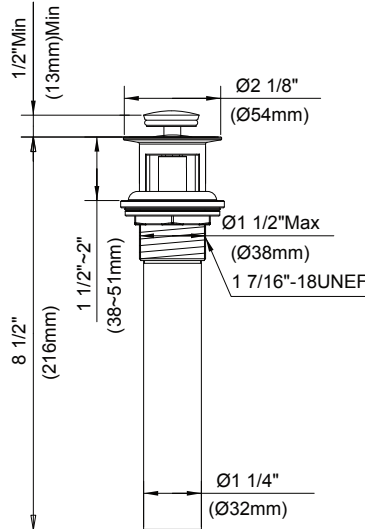
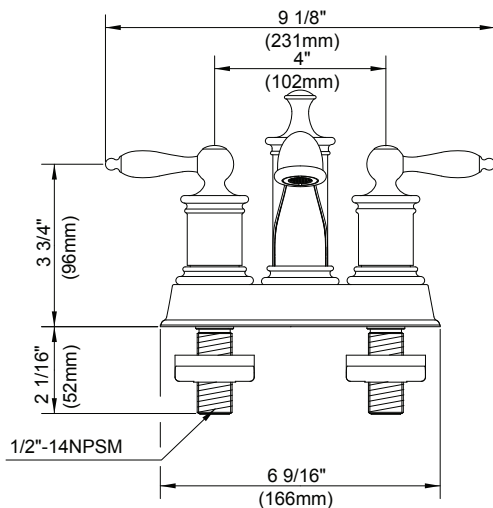
Danze products are covered by a manufacturer's limited "lifetime" warranty for manufacturing defects.

Flow Rate



Finishes Available

- Chrome
- Other: Refer to Price List for additional finish



Submittal Information:

Job Name: _____

Location: _____

Contractor: _____

Contact #: _____