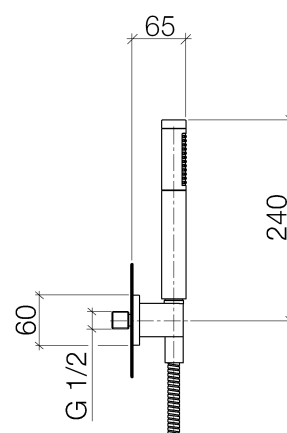
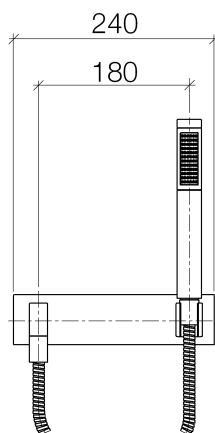




### Product specifications

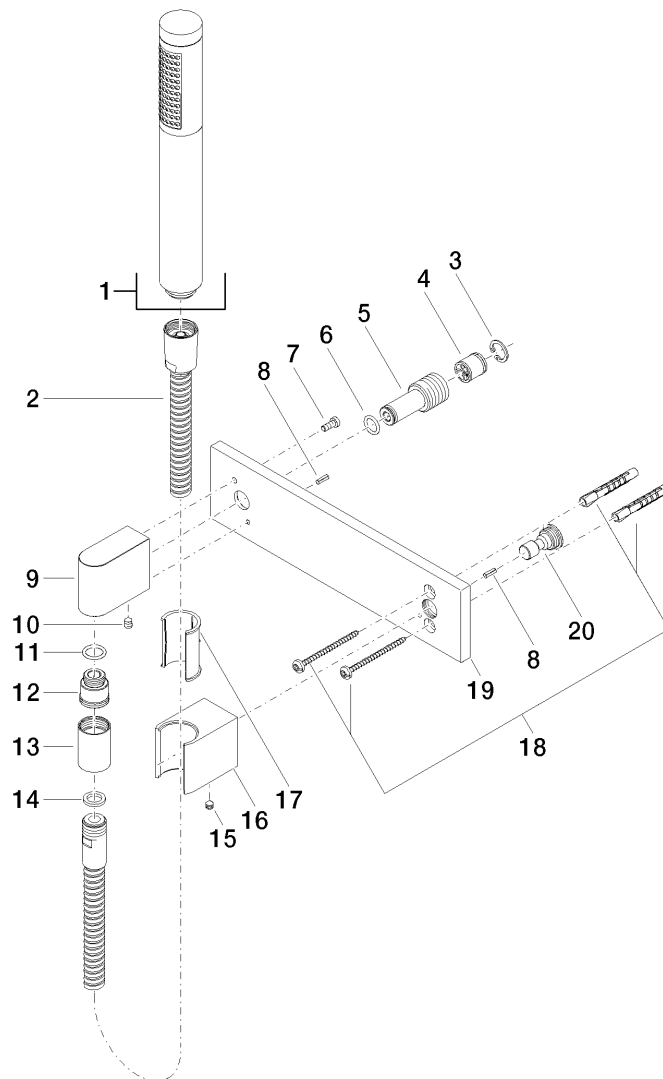
- Hand shower with descaling system and back flow preventer
  - Hand shower bracket
  - 3/8" shower outlet
  - 3/8" x 1/2" x 49 1/4" shower hose with rotating hose connector
  - Cover plate 9 1/2" x 2 3/8"
  - Water flow rate limited to max. 2 gpm
  - 1/2" wall elbow with back flow preventer
  - Total height 9 1/2"
- Internal backflow preventer.



### Surfaces

- chrome 27818980-00
- matt platinum 27818980-06

**Exploded assembly drawing**



**Order quantity**

<b>No.</b>	<b>Article number</b>	<b>Name</b>	<b>Installation quantity</b>
1	28010979ff	shower	1
2	093002072ff	hose	1
3	09160101490	ring	1
4	09230104090	back-flow preventer	1
5	09240311690	nipple	1
6	09141000890	seal	1
7	09303005490	screw	1
8	09311102690	pin	2
9	091103026ff	connection	1
10	09311100490	pin	1
11	09141007790	seal	1
12	09240310790	nipple	1
13	092102069ff	cover	1
14	09142002690	seal	1
15	09311111290	pin	1
16	091720035ff	holder	1
17	09184007890	sleeve	1
18	0530310250090	fixing set	1
19	091102120ff	plate	1
20	09240307390	nipple	1

