

**CONRAD
60" CAST IRON
DOUBLE ROLL
TOP TUB**

Cat. No.
CTDR7H60B



L: 60"
W: 30"
H: 23 3/4" (from floor to top of tub)

Depth: 13" to overflow
17 3/4" at drain

The following is recommended for CTR7H60 tubs:

- Rim-mounted faucet: part #4601
- Straight bath supplies: part #5577
- Leg tub drain: part #5599
- For use with shower curtain rod:
Part# 4062, 4045
- Complete shower unit: **Part# 4063**

Gallon Capacity: 32
Shipping Weight: 520 lbs.
Empty Weight: 340 lbs.
Filled Weight: 607 lbs.

Features:

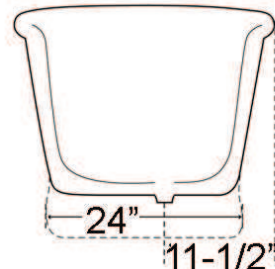
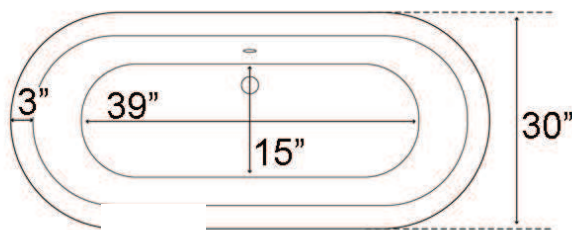
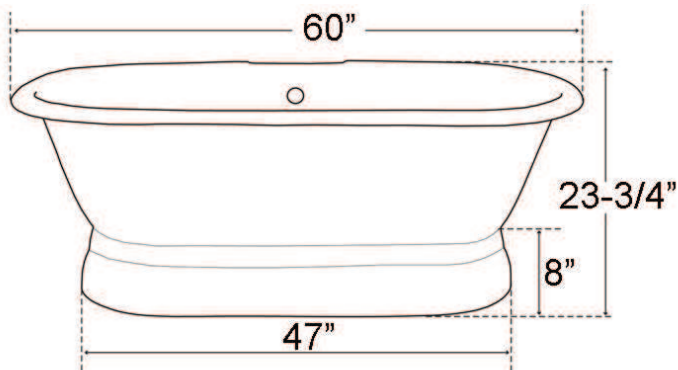
- ▶ Inside finish is white enamel
- ▶ One piece tub with integrated base
- ▶ Tub exterior is white (epoxy)
- ▶ 7" centers in tub deck
- ▶ Tub is thoroughly inspected before shipment

Extra Paint Charge (inside of tub is always white enamel):

Bisque Paint - \$160

Black Paint - \$160

Bathtubs painted in bisque or black are considered "special order" and are not returnable.



Dimensions of fixture are nominal and may vary within the range of tolerances established by ANSI Standard A112.19.2. Dimensions and specifications subject to change without notice.