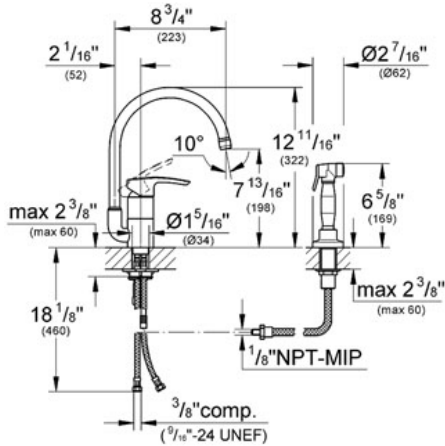


EUROSTYLE
Single-lever sink mixer, 1/2"
MODEL # 33980

Pure Freude an Wasser



GROHE America, Inc | 200 North Gary Avenue, Suite G, Roselle, IL 60172
 Phone: +1 (800) 444-7643 | Fax: +1 (800) 225-2778 | us-customerservice@grohe.com



Product Description:
Single-lever sink mixer, 1/2"

- Standard Specification:**
- GROHE StarLight® finish
 - GROHE SilkMove® ceramic cartridge
 - Single hole installation
 - Adjustable flow rate limiter
 - Swivel Spout
 - Flow control
 - Quick installation system
 - Stainless Steel Braided Flexible Supplies
 - With Hose and Spray
 - Single Lever Handle
 - Spout Reach $8\frac{7}{8}''$
 - Max Flow Rate 1.75 gpm (6.6 L/min)

- Applicable Codes & Standards:**
- Energy Policy Act of 1992
 - NSF 61
 - ASME A112.18.1/CSA B125.1
 - US Federal and State material regulations
 - ICC/ANSI A117.1
 - CalGreen

- Color:**
- 33980 001 chrome
 - 33980 EN1 Brushed Nickel inf

