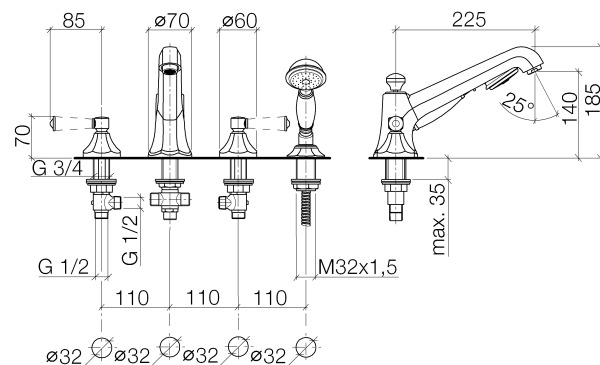




Product specifications

- **8 7/8" projection**
- M 28 x 1 aerator – male thread
- Back flow preventer in shower outlet
- Automatic diverter
- 1/2" deck valves with ceramic disc cartridges
- Hand shower with back flow preventer
- Metal shower hose 88 5/8", consisting of 1 pc. 19 5/8" chrome plated metal hose and 1 pc. 68 7/8" flex line
- 1 1/4" hole diameter
- 35° x 1/2" x 1/2" angle
- 2x 1/2" x 1/2" x 15 3/4" high pressure hose
- Lever insert(s) to be ordered separately
- Shower hose guide
- Hand shower water flow rate limited to max. 2.38 gpm
- ...
- Internal backflow preventer.

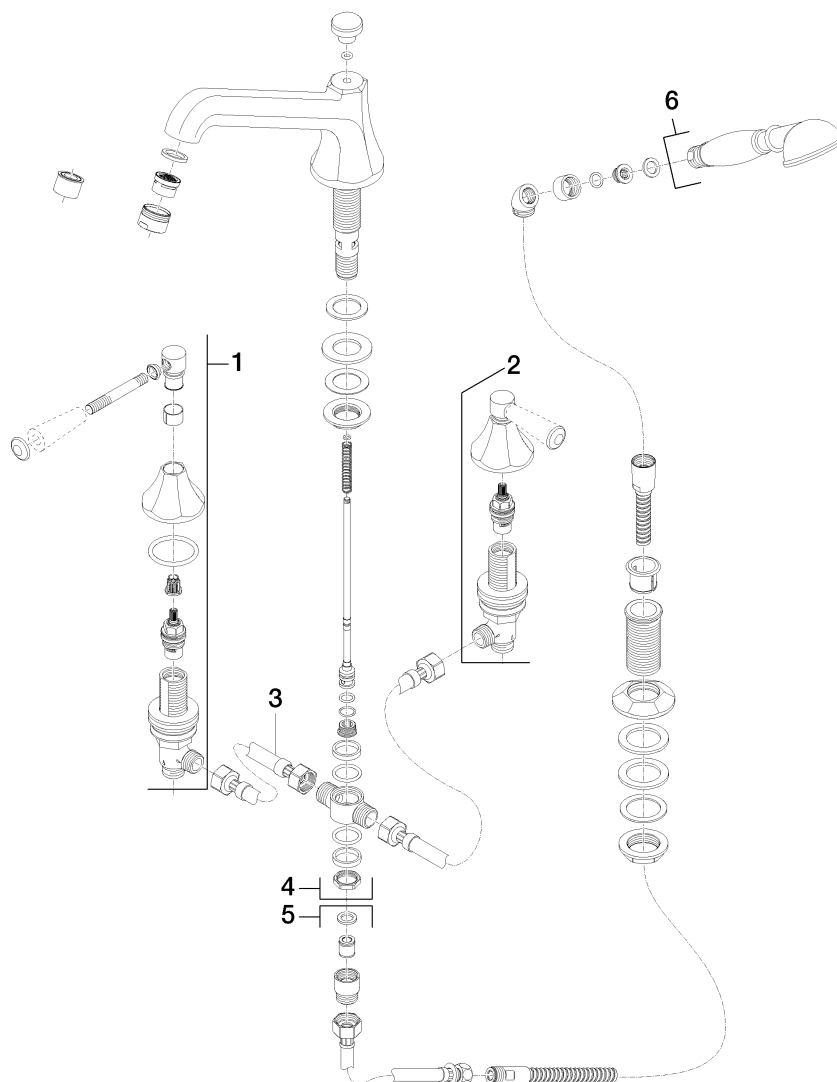




Surfaces

- chrome 27502370-00
- chrome 27502370-00
- matt platinum 27502370-06
- matt platinum 27502370-06
- platinum 27502370-08
- platinum 27502370-08
- brass 27502370-09
- brass 27502370-09

Exploded assembly drawing



Order quantity

No.	Article number	Name	Installation quantity
1	20000370ff	side panel	1
2	20000371ff	side panel	1
3	1250297090	hose	2
4	13502380ff	spout	1
5	27703370ff	shower set	1
6	28002970ff	shower	1

