

Undercounter Lavatory

FEATURES

- 15" x 12"
- ADA compliant
- Front or rear overflow
- Mounting assembly complete with installation template and mounting screw set

MODELS

- LT577
(#01, #12)



COLORS/FINISHES

- #01 Cotton
- #12 Sedona Beige

CODES/STANDARDS

- Meets and exceeds ASME A112.19.2/CSA B45.1
- Certifications: IAPMO(cUPC), State of Massachusetts, City of Los Angeles, and others
- Meets ADA guidelines and ANSI A117.1 requirements when countertop is installed 864mm (34") from finished floor and lavatory is installed 205mm (8-1/8") minimum from front edge.



PRODUCT SPECIFICATION

The undercounter lavatory shall be made of vitreous china. Lavatory shall be 15" in length and 12" in width. Lavatory shall be ADA compliant. Product shall be with overflow and lavatory shall include mounting assembly. Lavatory shall be TOTO Model LT577_____.

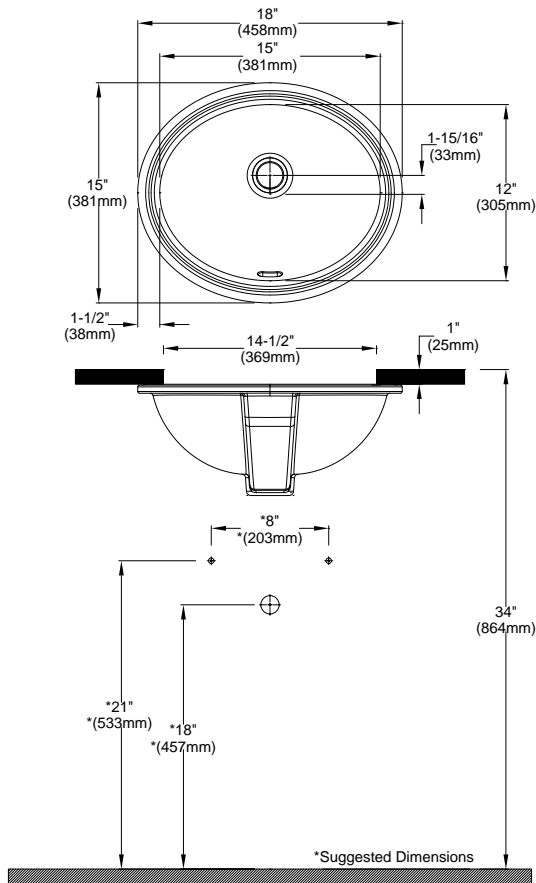
LT577

Undercounter Lavatory

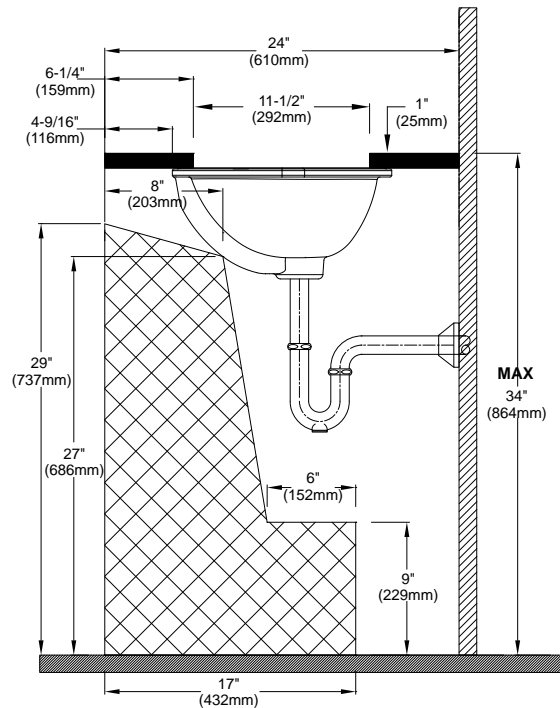
SPECIFICATIONS

- Waste 1-1/4" O.D.
- Size 17-15/16"W x 14-15/16"D
- Basin 15"W x 12"D
- Warranty One Year Limited Warranty
- Material Vitreous china
- Shipping Weight 18.5 lbs.
- Shipping Dimensions 16-1/4"W x 19"D
x 9-3/4"H

INSTALLATION NOTES



ADA Compliance Check



TOTO®

These dimensions and specifications are subject to change without notice