



Wall-mount Type T/P (thermo/pressure balance)
coaxial open spout tub filler with hand shower
SA07XX



Specifications

Descriptions

- 1/2" inlet female NPT
- Thermostatic/pressure balance coaxial cartridge with check valves
- 1 integrated volume control
- 1-jet hand shower/scale-free

Available colors

- C : Chrome
- PN : Polished nickel (PVD)

Available flows

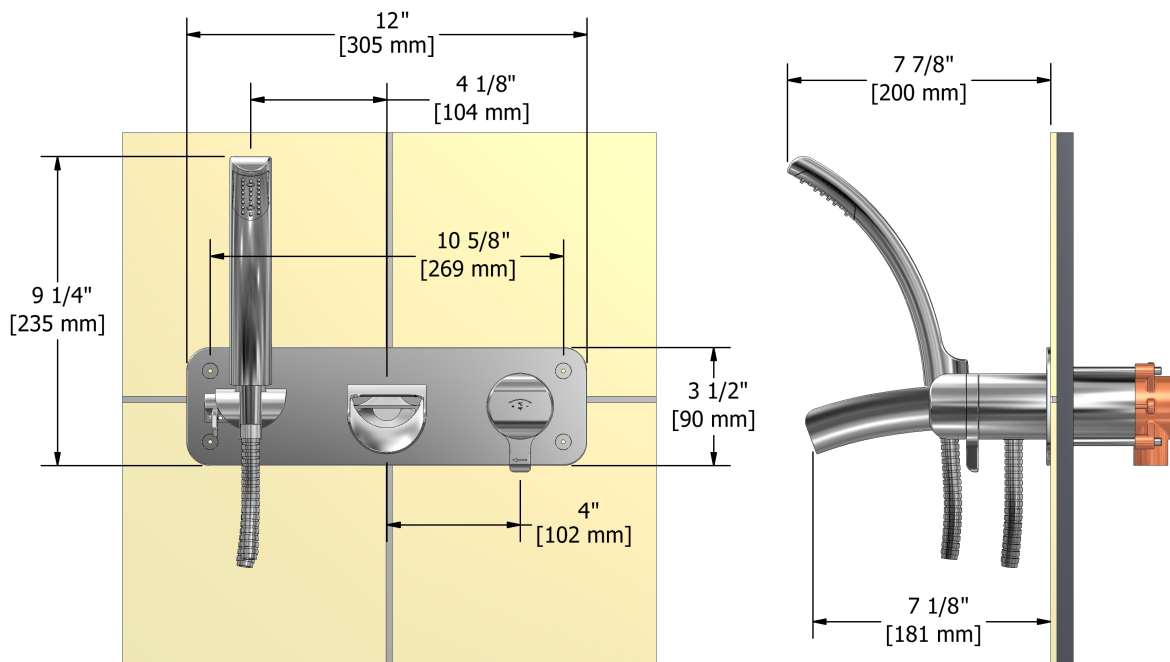
- 41.5 L/min, 11 gpm (US) 60psi

Cartridges

- 401-143

Certifications

- CSA B125.1
- ASME A112.18.1
- CMR248 Approval



Sizes, models and finishes may differ from those presented.

Warranty

The Riobel inc. product carries a limited LIFETIME warranty on the finish Chrome, Gold (PVD), Brushed nickel (PVD), Night brushed (PVD), Polished nickel (PVD) and all working parts and is guaranteed from the initial date of purchase against all manufacturing defects. Other finishes 1 year.

Customer Service

Ontario, West Canada : 888-287-5354 Quebec, Maritimes, United States : 866-473-8442

2015.04.20