



Type P (pressure balance) tub/shower
JO53XX



Specifications

Composition

- JO51C - Type P (pressure balance) complete valve
- 308C - 3-jet shower head
- BR81C - Wall tub spout with diverter

Available colors

- C : Chrome

Certifications

- CSA B125.1
- ASME A112.18.1
- CMR248 Approval

Warranty

The Riobel inc. product carries a limited LIFETIME warranty on the finish Chrome, Gold (PVD), Brushed nickel (PVD), Night brushed (PVD), Polished nickel (PVD) and all working parts and is guaranteed from the initial date of purchase against all manufacturing defects. Other finished 1 year.

Customer Service

Ontario, West Canada : 888-287-5354 Quebec, Maritimes, United States : 866-473-8442



Type P (pressure balance) complete valve
JO51XX



Specifications

Descriptions

- 1/2" inlet male NPT or sweat
- Service stops
- Ceramic cartridge and balancing spool with check valves
- Double action: flow and temperature control
- 1/2" outlet male NPT or sweat

Available colors

- C : Chrome

Available flows

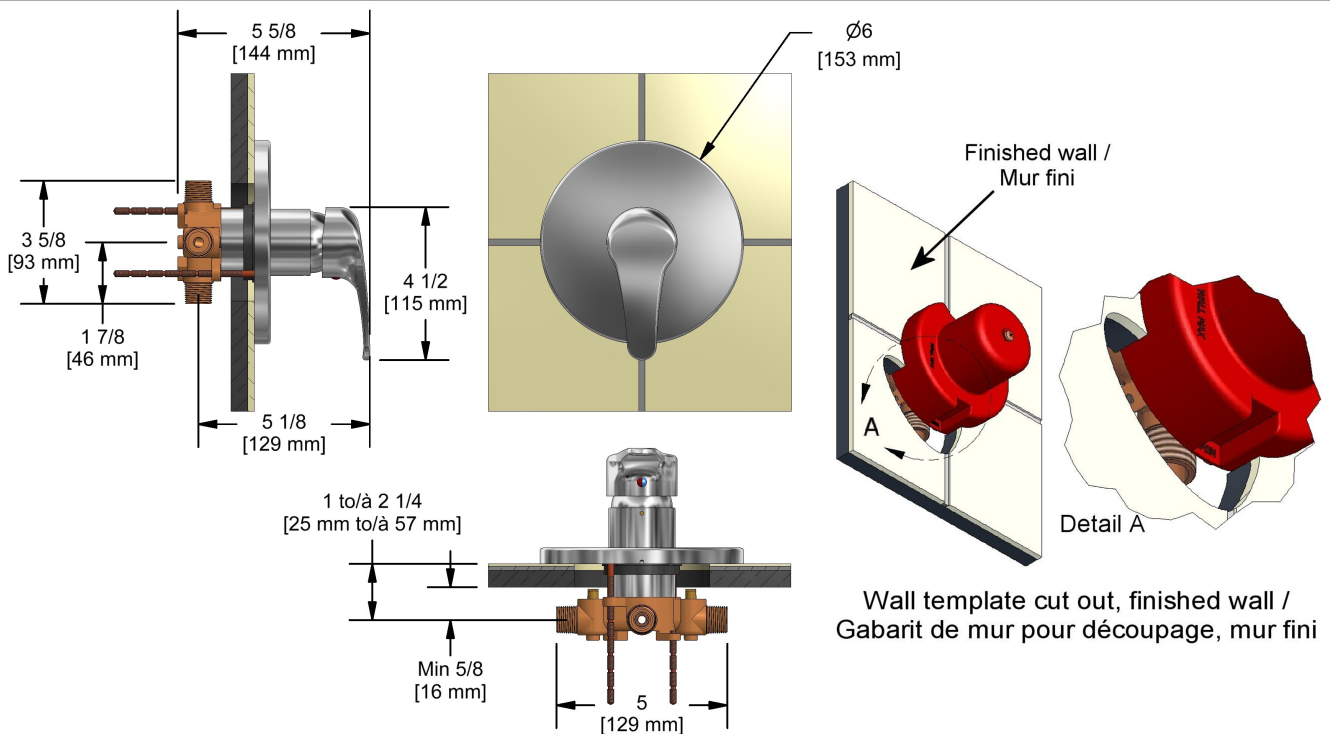
- 22 L/min, 5.8 gpm (US) 60psi

Cartridges

- 401-016 - 405-010

Certifications

- CSA B125.1
- ASME A112.18.1
- ASSE 1016
- CMR248 Approval



Sizes, models and finishes may differ from those presented.

Warranty

The Riobel inc. product carries a limited LIFETIME warranty on the finish Chrome, Gold (PVD), Brushed nickel (PVD), Night brushed (PVD), Polished nickel (PVD) and all working parts and is guaranteed from the initial date of purchase against all manufacturing defects. Other finished 1 year.

Customer Service

Ontario, West Canada : 888-287-5354 Quebec, Maritimes, United States : 866-473-8442

2014.05.02



3-jet shower head
308XX



Specifications

Descriptions

- Swivel
- 3 jets: tropical breeze, luxurious, massage
- Shower arm with flange
- Scale-free

Available colors

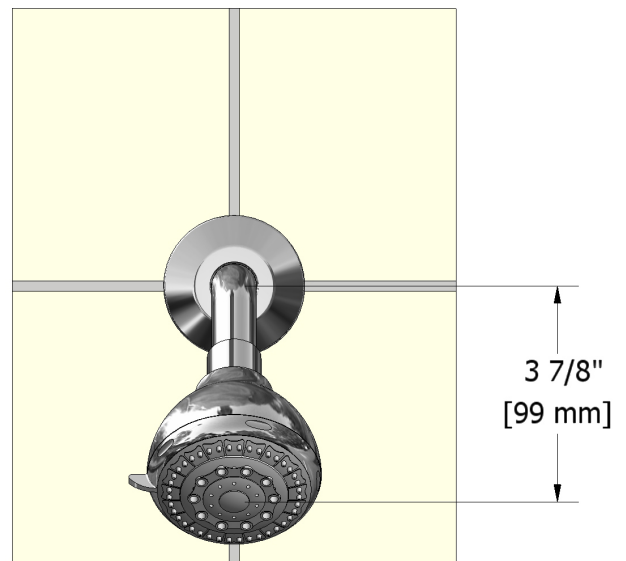
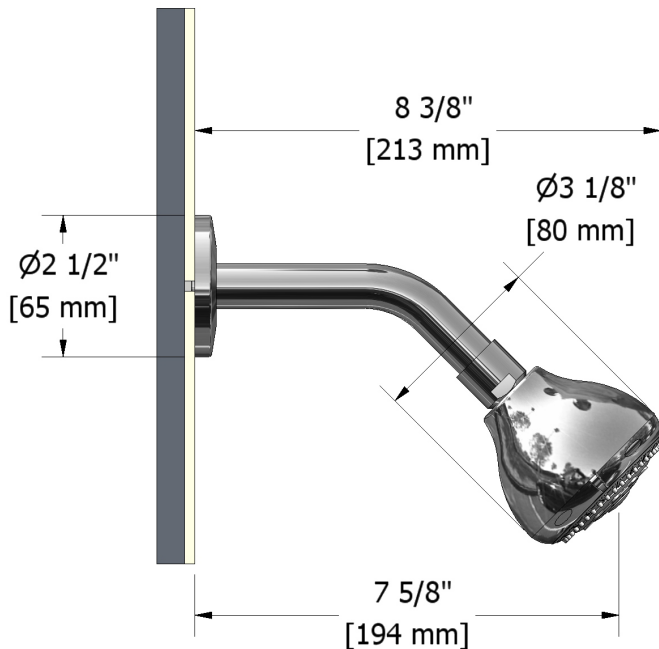
- C : Chrome
- BN : Brushed nickel (PVD)

Available flows

- 9.5 L/min, 2.5 gpm (US) 60psi
- 5.69 L/min, 1.5 gpm (US) 60psi (**308XX-15**)

Certifications

- CSA B125.1
- ASME A112.18.1
- CMR248 Approval



Sizes, models and finishes may differ from thoses presented.

Warranty

The Riobel inc. product carries a limited LIFETIME warranty on the finish Chrome, Gold (PVD), Brushed nickel (PVD), Night brushed (PVD), Polished nickel (PVD) and all working parts and is guaranteed from the initial date of purchase against all manufacturing defects. Other finished 1 year.

Customer Service

Ontario, West Canada : 888-287-5354 Quebec, Maritimes, United States : 866-473-8442



Wall tub spout with diverter
BR81XX



Specifications

Descriptions

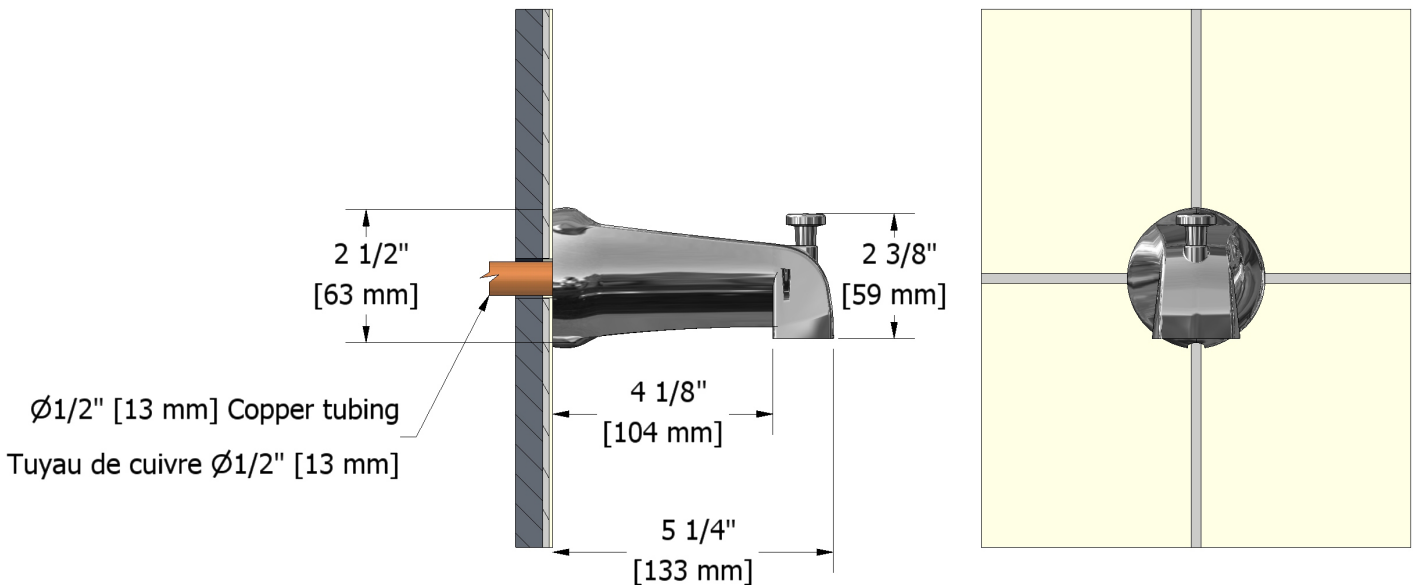
- Diverter
- 1/2" copper slip fit inlet

Available colors

- C : Chrome
- BN : Brushed nickel (PVD)

Certifications

- CSA B125.1
- ASME A112.18.1
- CMR248 Approval



Sizes, models and finishes may differ from thoses presented.

Warranty

The Riobel inc. product carries a limited LIFETIME warranty on the finish Chrome, Gold (PVD), Brushed nickel (PVD), Night brushed (PVD), Polished nickel (PVD) and all working parts and is guaranteed from the initial date of purchase against all manufacturing defects. Other finished 1 year.

Customer Service

Ontario, West Canada : 888-287-5354 Quebec, Maritimes, United States : 866-473-8442

2014.05.02