

TECHNICAL SPECIFICATIONS

Gallery™ 6 Pure Air II Oval Freestanding Bath

GLF7242 ALR 2XX

Gallery Pure Air II Oval Freestanding Bath (GA95)



INSTALLATION NOTES

Refer to installation instructions included with fixture before beginning installation. Please confirm product availability and specifications before commencing with any installation work.

PRODUCT SPECIFICATIONS AND AVAILABILITY ARE SUBJECT TO CHANGE WITHOUT NOTICE.

KEY DIMENSIONS

DIMENSIONS

72" L x 42" W x 20-1/2" H
(1829 mm) L x (1067 mm) W x (521 mm) H

DRAIN/OVERFLOW

A: 16" (406 mm) B: 11-1/2" (292 mm)

TOTAL WEIGHT

1208 lb (548 kg) / 57.7 lb/ft² (281 kg/m²)

OPERATING GALLONAGE

89 U.S. Gal. (337 Liters) Max.

PRODUCT WEIGHT

167 lb (59 kg)

ELECTRICAL SPECIFICATIONS

Requires a dedicated GFCI protected separate circuit.

BLOWER

120VAC, 15AMP, 60Hz.

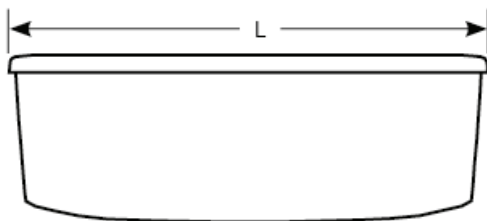
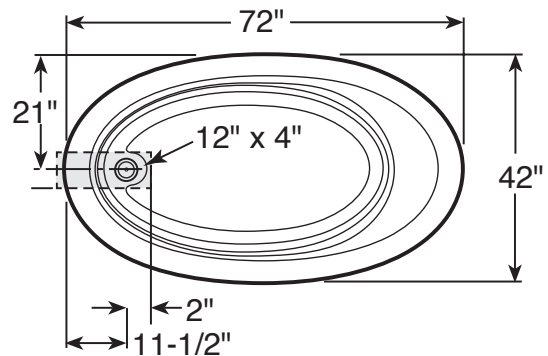
HEATER

No water heater is available on this unit. Blower has an integrated air heater.

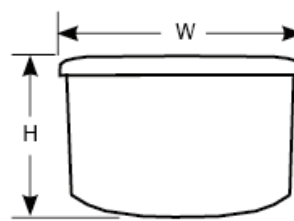
* Measurements inside unit represent cutout in floor to allow for drain/overflow.

FEATURES, UPGRADES & ACCESSORIES

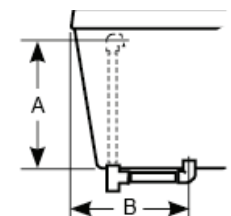
- Universal Drain Location
- Accessories / Hardware:
 - Rotary Drain Kit, 26" Cable: #8730
 - Decorative Ring: #GN75
 - Decorative Legs: #GN77
- Trim Kit Finishes Available:
 - (827) – Chrome
 - (826) – Brushed Nickel
 - (849) – Oil Rubbed Bronze



SIDE VIEW



END VIEW



DRAIN / OVERFLOW