

**KINCAID
COPPER
SLIPPER TUB**

Cat. No.
COTSN48A



L: 48 1/2"
W: 32 1/2"
H: 36" and 29" from floor
D: 23" at center

Features:

- ▶ Made of 16 gauge copper
(Copper is a living finish and will patina over time)
- ▶ Hammered antique copper exterior
- ▶ Nickel plated interior
- ▶ No overflow
- ▶ No faucet holes
- ▶ Hand polished
- ▶ Slipper
- ▶ Includes solid copper claw feet

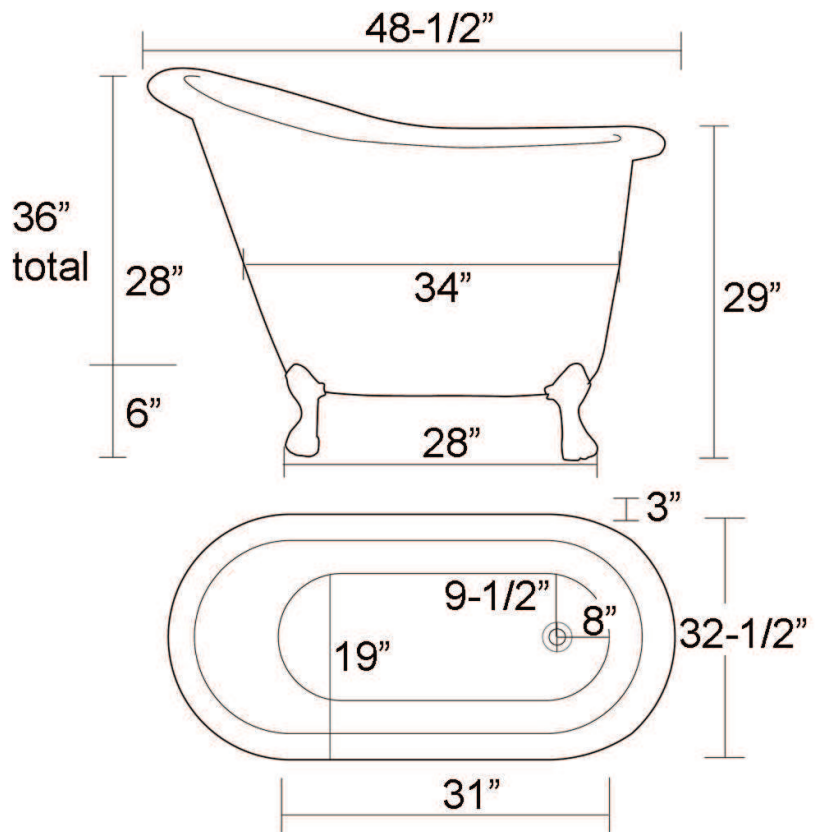
Tub Finishes:

CN Hammered Antique Copper/Nickel

The following is recommended for COTSN tubs without faucet holes:

- Free standing faucet: **Part# 4602**
- Free standing bath supplies: **Part# 4502**
- Leg tub drain: **Part# 5599LT or 5599TS**

Gallon Capacity: 58
Shipping Weight: 310 lbs.
Empty Weight: 85 lbs.
Filled Weight: 569 lbs.



Dimensions and specifications subject to change without notice.