



# Ove

BOV 02

inch 72x36x24.375 mm 1829x914x619

interior dimensions  
 rim: inch 60x24 mm 1524x610  
 base: inch 51x20 mm 1295x508  
 height: inch 20.75 mm 525

capacity to overflow  
 gal (us) - 65 liters - 250

weight  
 lb - 270 kg - 122

installation  
 freestanding

material  
 WETMAR BIO  , True High Gloss   
 or matte finish

color  
 white

codes/standards applicable  
 IAPMO-ANSI Z124.1  
 IAPMO-ANSI Z124.3  
 CSA B 45.0  CSA B45.4

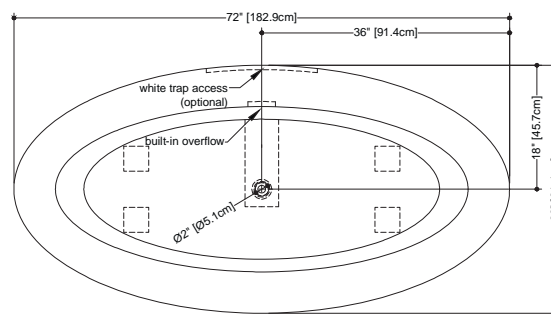
overflow  
 slot design  
 polished chrome or brushed nickel

drain  
 soft toe touch  
 polished chrome or brushed nickel

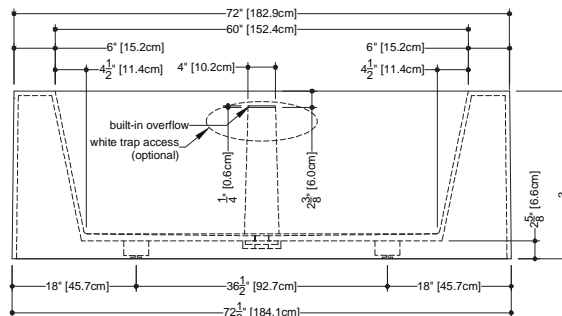
waste and overflow kit  
 included

faucet area recommended  
 bath deck or door-mounted

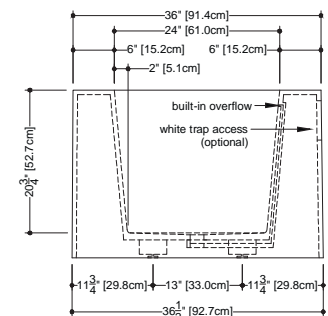
trap access  
 white access panel



plan view



front view



side view



WETSTYLE Plug & Bath™ overflow and drain connection system includes:

Soft-touch pop-up drain, for built-in overflow. Fits both 1-1/2" ABS drain waste and 1-1/2" tubular brass

1-1/2" ABS Direct vertical drain waste fitting (copper/brass option also available)

1-1/2" ABS 90° Elbow drain waste fitting (copper/brass option also available)

WETSTYLE cannot be held responsible for any technical errors and reserves the right to make revisions without notice.

Approximate measurement.  
 The manufacturer accept  $\pm$  (6.35mm) variance.

www.WETSTYLE.CA - Montreal - Canada  
 Tel. 450.536.9000 - 1 888.536.9001 - Fax. 450.536.0202

