

Neorest® II Vessel Lavatory with LED Lighting

FEATURES

- Epoxy resin Neorest II vessel lavatory
- Luminist™ material is a semi-clear epoxy resin that displays exceptional strength and is highly scratch and impact resistant
- AC powered LED lighting system
- Complete with installation template, hardware and chrome drain fitting



Shown with:
Neorest II Faucet
TL993SE#CP

COLORS/FINISHES

- #63 Angelic White

MODELS

- LLT993#63

*Please note: This lavatory is without overflow.

CODES/STANDARDS

- Meets and exceeds CSA B45 series, ANSI Z124.3, UL 1951, CSA 22.2 #14
- Certifications: IAPMO(cUPC), State of Massachusetts, and others
- Code Compliance: UPC, IPC, NSPC, NPC Canada, and others
- ADA compliant



PRODUCT SPECIFICATION

The epoxy resin Neorest II vessel lavatory shall be without overflow. Vessel lavatory shall include complete installation template, hardware and chrome drain fitting. Vessel lavatory shall be TOTO Model LLT993#63.

SPECIFICATIONS

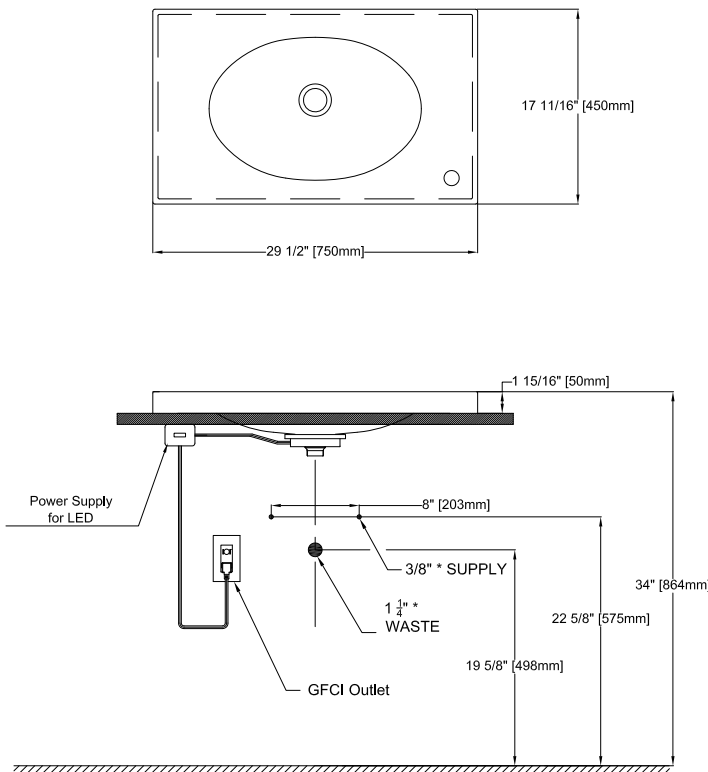
- Waste 1-1/4" O.D.
- Size 17-11/16" x 29-1/2"
- Basin 13" x 19-5/16" oval
- Basin Depth 3-1/2"
- Warranty Three Year Limited Warranty
- Material Epoxy Resin
- Power Adapter 100-250 Vac, 50/60Hz Input
12Vdc, 1.7A Output
Output Protection:
Short Circuit and Overload
Cord - 6 ft length,
3 prong grounded plug
- Shipping Weight 29.5 lbs.
- Shipping Dimensions 38"L x 21"W x 7 3/4"H

INSTALLATION NOTES

Follow both the installation and user instructions before installing. It is recommended to use an outlet that is on a wall switch for easy on/off. Otherwise the user must have access to the switch located directly on the power adapter. Connect the power plug into appropriate grounded, 120 V/ 60 Hz, GFCI outlet. Failure to follow warnings and instructions can result in serious injury, electric shock, product malfunction, and property damage.

CAUTION & WARNINGS

- This product is for indoor use only. Do not install outdoors
- Keep the lavatory out of direct sunlight to reduce discoloration



ADA Compliance Check

