



2-way Type T (thermostatic) coaxial floor-mount tub filler with hand shower

MZ39XX



Specifications

Descriptions

- 1-jet hand shower
- 1/2" inlet male NPT
- Double check valve
- 2 parts: rough and trim
- Thermostatic coaxial cartridge with check valves

Available colors

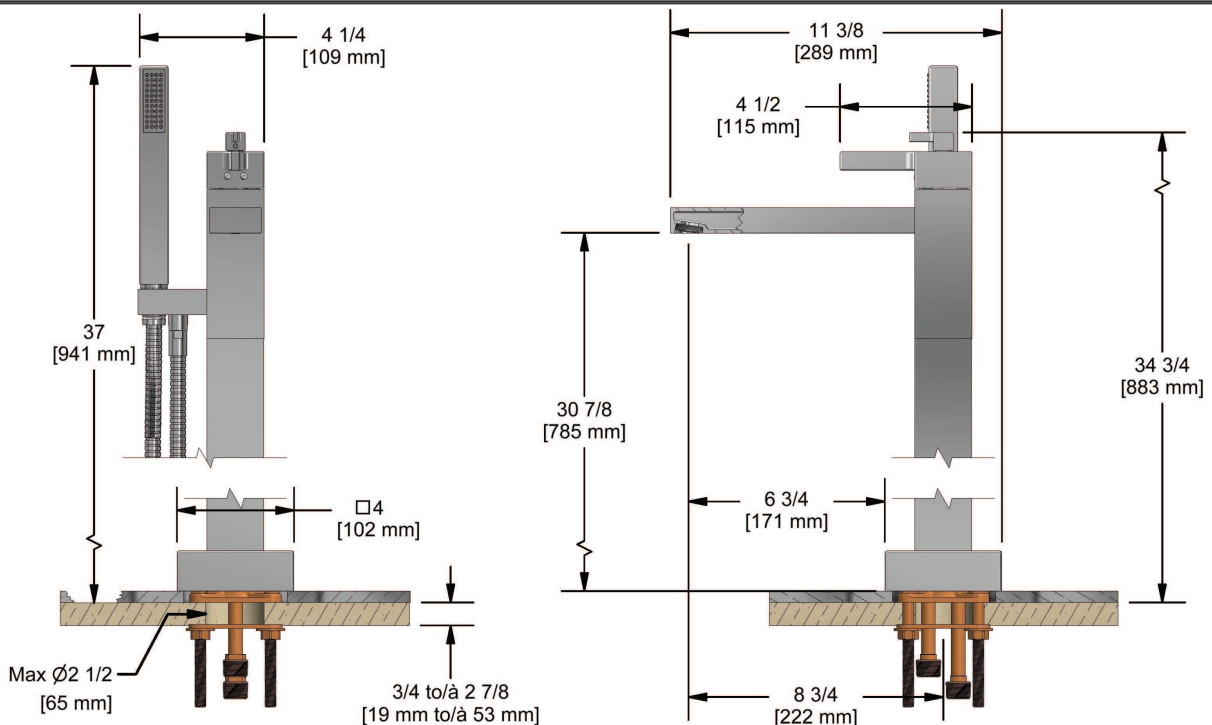
- C : Chrome

Available flows

- 23 L/min, 6.0 gpm (US) 60psi

Certifications

- CSA B125.1
- ASME A112.18.1



Sizes, models and finishes may differ from those presented.

Warranty

The Riobel inc. product carries a limited LIFETIME warranty on the finish Chrome, Gold (PVD), Brushed nickel (PVD), Night brushed (PVD), Polished nickel (PVD) and all working parts and is guaranteed from the initial date of purchase against all manufacturing defects. Other finished 1 year.

Customer Service

Ontario, West Canada : 888-287-5354 Quebec, Maritimes, United States : 866-473-8442

2014.04.23