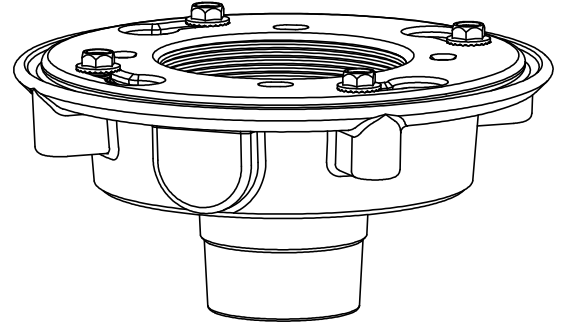


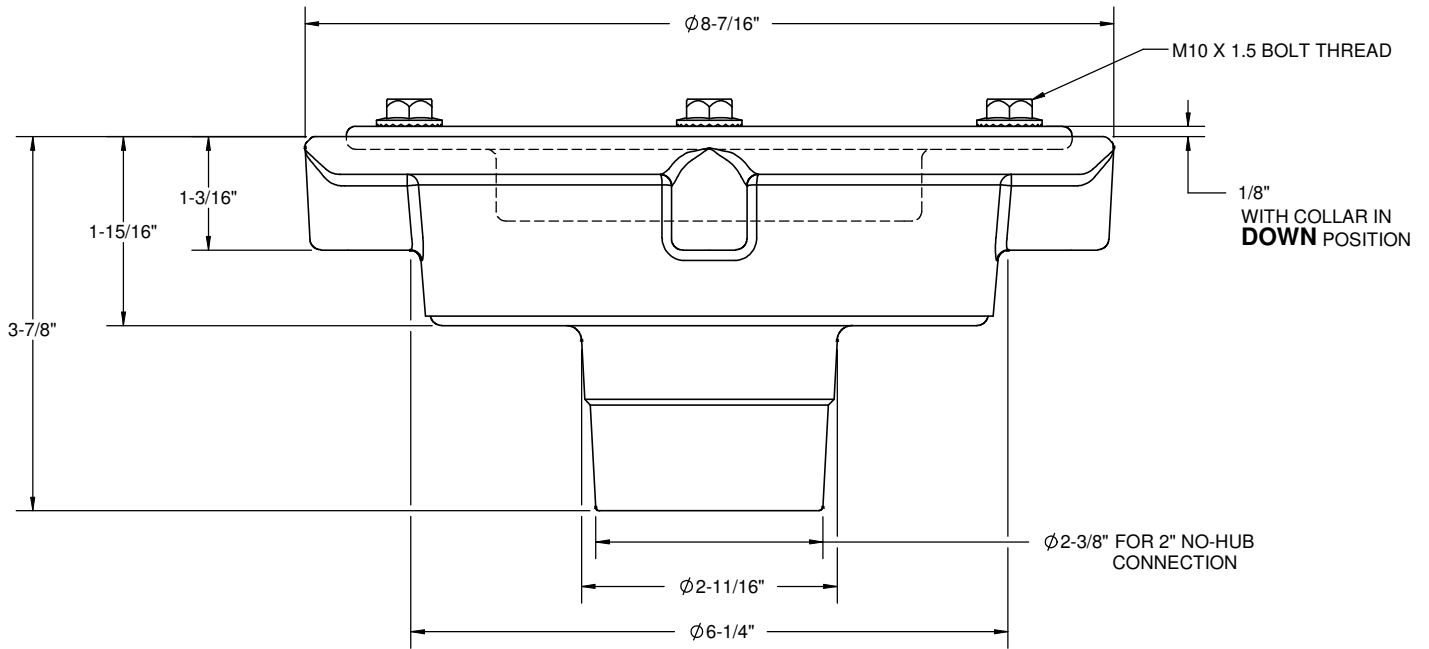
**Features**

- Rugged cast iron construction with protective coating
- Corrosion resistant bolts
- Reversible membrane collar with weep holes to accommodate a variety of tile installations
- 2" No-Hub connection
- Compatible with **9178** Brass Drain Throat and all StyleDrain Decorative Trim Grids. For complete selection, see [www.calfaucets.com](http://www.calfaucets.com)



**Codes/Standards Applicable**

- Specified model meets or exceeds the following:
- ASME A112.18.2/CSA B125.2



**Figure 1. COLLAR IN DOWN POSITION**

DIMENSIONS SHOWN TO NEAREST 1/16"

**Figure 2. COLLAR IN UP POSITION**

