

Tub and Shower Trim
3-2542BP

Also 3-425

Features

- Solid brass construction
- Face plate with ADA compliant contemporary lever handle and diverter pull-knob
- 2.0 gallons (7.6 liters) per minute maximum flow rate showerhead
- ADA compliant contemporary lever handle assembly for control valve
- Intended for use with Newport Brass rough valve(s) as specified (Required Accessory)

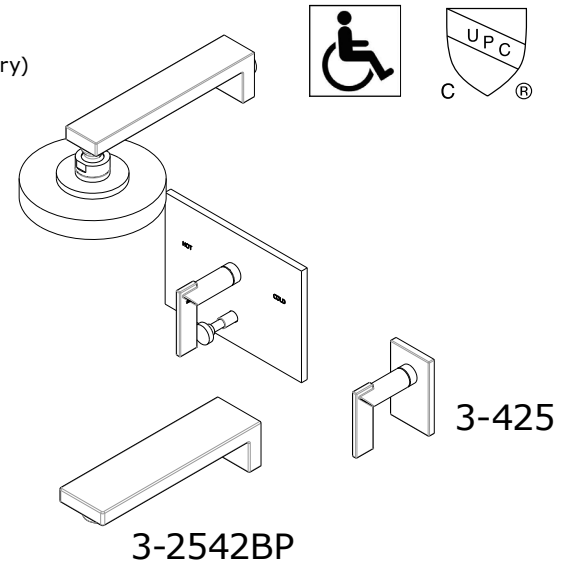
Codes / Standards Compliance

Meets or exceeds the following at date of manufacture:

- ASME A112.18.1/CSA B125.1
- ASSE 1016
- IAPMO/cUPC
- Energy Policy Act of 1992
- IPC
- All applicable US Federal and State material regulations
- ADA
- ICC/ANSI A117.1

Colors / Finishes

- 10B: Oil Rubbed Bronze
- 15: Polished Nickel
- 15S: Satin Nickel
- 26: Polished Chrome
- Other: Refer to the Newport Brass catalog for additional color/finish options.



Specified Model:

Model	Description	Colors / Finishes
3-2542BP	Tub and Shower Trim	<input type="checkbox"/> 10B <input type="checkbox"/> 15 <input type="checkbox"/> 15S <input type="checkbox"/> 26 <input type="checkbox"/> Other
3-425	Shower System Control Valve Trim (Escutcheon/Handle)	<input type="checkbox"/> 10B <input type="checkbox"/> 15 <input type="checkbox"/> 15S <input type="checkbox"/> 26 <input type="checkbox"/> Other

Required Accessory:

Trim(s), above, and Rough Valve(s), below, must be specified.

Application	Tub Only Valve*	Shower (or Tub) Valve	Tub & Shower Valve	Shower System Valve	Control Valve
Description	2-Cartridge Assembly	Balance Pressure (BP)	BP w/ Diverter	Thermostatic	Diverter (3/4 port)
Inlet/Outlet Size	1/2"	1/2"	1/2"	3/4"	1/2"
Part Number	<input type="checkbox"/> NA	<input type="checkbox"/> NA	<input type="checkbox"/> 1-595	<input type="checkbox"/> NA	<input type="checkbox"/> 1-618
Image					

Product Specification:

Add "Color / Finish" suffix to Model number, below.

The single-control Tub and Shower Trim shall be made of solid brass construction. Tub and Shower Trim shall include showerhead with arm and flange, tub spout and faceplate with ADA compliant handle and diverter pull-knob. Showerhead shall have a maximum flow rate of 2.0 gallons (7.6 liters) per minute. Shower System Control Valve Trim(s) (Escutcheon/Handle) shall be ADA compliant when used with specified Shower System Control Valve. Tub and Shower Trim shall be Newport Brass Model 3-2542BP/____ and single-control Tub and Shower rough valve shall be Newport Brass Model 1-595. Shower System Control Valve Trim (Escutcheon/Handle) shall be 3-425/____ and Shower System Control Valve shall be 1-618.

