

FARMER KITCHEN SINK

Cat. No.
6942



W: 33 3/4" W:
D: 20 3/4"

Features:

- ▶ 16 Gauge metal
- ▶ Double bowl
- ▶ Apron extends 7" back from front of sink
- ▶ 1 3/4" lip
- ▶ Copper has natural bacteria fighting properties
- ▶ Copper is a Living Finish and will patina over time
- ▶ No Overflow

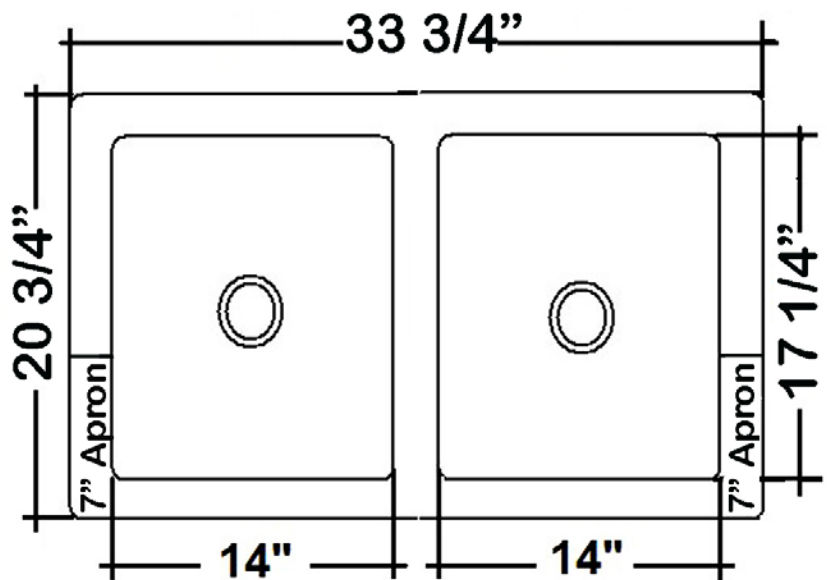
Finishes:

AC Hammered Antique Copper

Compliance Certification
Material is consistent with
UNS C81100 Copper Casting
Alloy with respect to chemical
composition.

Interior Dimensions:

Basin: 14" x 17 1/4" Each Bowl
Basin Depth: 9"



Dimensions of fixture are nominal and may vary. Dimensions and specifications subject to change without notice.