

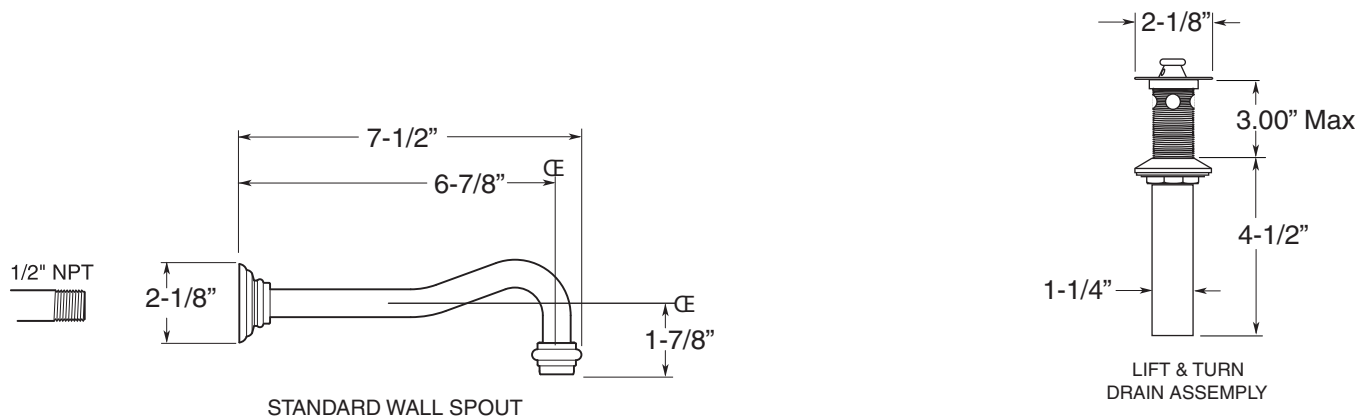
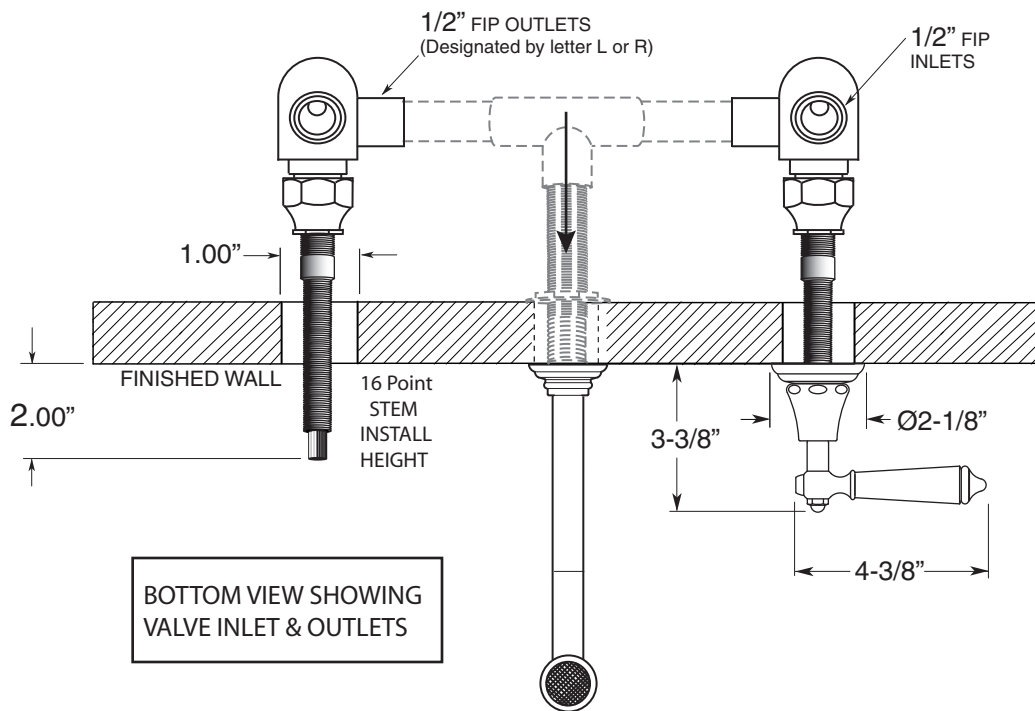
FEATURES:

- All brass construction, Independent corner valves
Includes lift & turn style drain assembly.
- Extended wall vessel spout, 10-1/2" long, available P/N: 18.07.018
- Quarter turn ceramic disc valve cartridge.
- Available in all finishes. Warranty varies according to finish selection.
- Certified to meet and exceed the following codes and standards:
ASME A112.18.1-2005/CSAB125.1-2005

Specifications

Series 350

**Wall/Vessel Lavatory Set
Monte Carlo Handle
1.355907S
(1.355907ST - Trim Only)**



Note: Measurements are subject to change or cancellation. No responsibility is assumed for use of superseded or voided pages.