

# Deanna

The gracious comfort of the Deanna features built-in armrests and headrest, with the soft oval contours making a sophisticated design statement in any bathroom.

### Available Sizes:

60”L x 36”W x 22”D  
 40 Gallons

60”L x 40”W x 22”D  
 45 Gallons



### Acrylic Tub – construction features

**Acrylic** models finished in 1/8” thick layer of deep lustrous acrylic.

**Extra thick** reinforced fiberglass.

**Pre-wired** pump on pump platform (standard pump location only)

**Integral E-Z** Level platform facilitates installation.

**Non-skid** bottom.

### PVC Systems – include:

**6 Fully** directional adjustable PVC jets

**Anti-vortex** safety suction.

*Color matched* system trim

**Hydrozone** ozone sanitation system

**Rigid PVC** piping

**Self draining** pump and system

**Soft Touch** electronic on/off control with 30-min. integral timer

**2.25 HP** Single Speed Pump

**Cable** waste & overflow

### Hydro Systems – Options:

**Available** as Tub only, Thermal Air, Whirlpool or Combo

**Microban** Antibacterial Protection

**Extra High Density** Fiberglass

**Custom** jet and pump location

**Plated** Metallic finish

**Additional** directional Jets

**Swirling**, Rotating, or Jumbo Jets

**Micro** Therapy Jet

**Integral** Waste & Overflow

**1.5 HP** Variable Speed Pump (digital temperature display optional)

**Electronic** low water protection

**In-line** Heater

**Chromatherapy-LED** Lighting System

**Chromatherapy-LED** Mini Spotlights

**Mood** Light

**Grab** Bars

**Back** Masseur

**Neck** Masseur Pillow

**Hydro** Fragrance

**Hydro** Fusion

**Hydro** Coat

**Hydro** Express quick ship

### Approvals & Listings

Commonwealth of Massachusetts  
 UPC & USPC - US & Canada



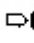



# Deanna



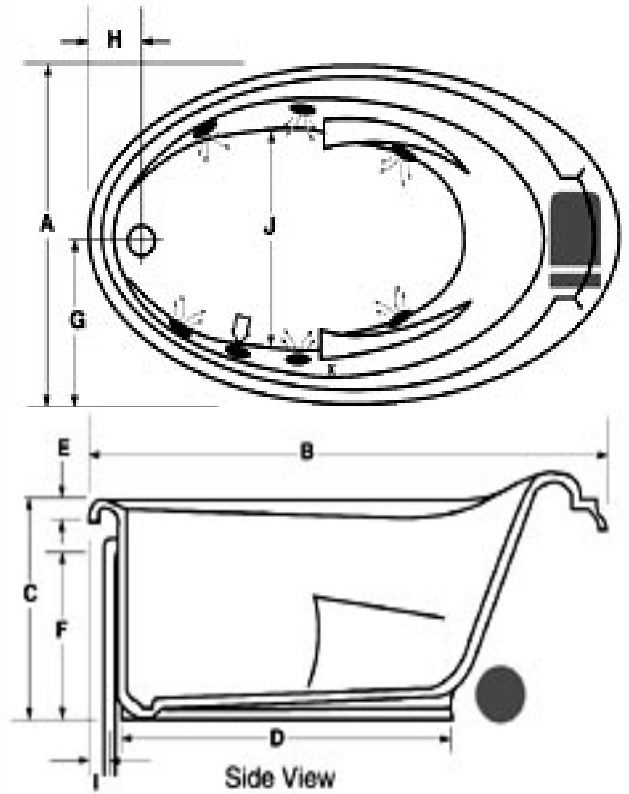
Must be set in Mortar Base



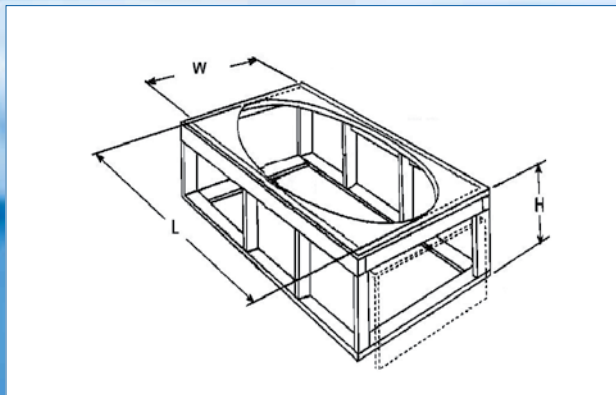
-  Pump motor
-  Jets
-  Anti-vortex suction
-  Overflow location

AS SHOWN:  
Whirlpool option w/ standard jets

ALSO AVAILABLE:  
Soaking Tub Only, Whirlpool,  
Thermal Air, Combo



Model	GC	AC	A	B	C	D	E	F	G	H	I	J	Jet	Pump	Wat.Cap.
6036	N/A	√	36"	60"	22"	38"	1¼"	19½"	18"	8"	2¼"	26"	6	2.25	40 gal.
6040	N/A	√	40"	60"	22"	38"	1¼"	19½"	20"	8"	2¼"	30"	6	2.25	45 gal.
Amp	Volt		Breaker		Dedicated Service										
13.5	120		20 amp		GFCI Protected										



Island Drop-In			
Model	(L)ength	(W)idth	(H)eight Finish
6036	58"	34"	21¾"
6040	58"	38"	21¾"

*Disclaimer: Certain options or altering the pump/blower location may cause the pump/blower to extend beyond the tub decking.  
 For cutout dimensions wait for unit to arrive.  
 All specifications subject to change without notice.*