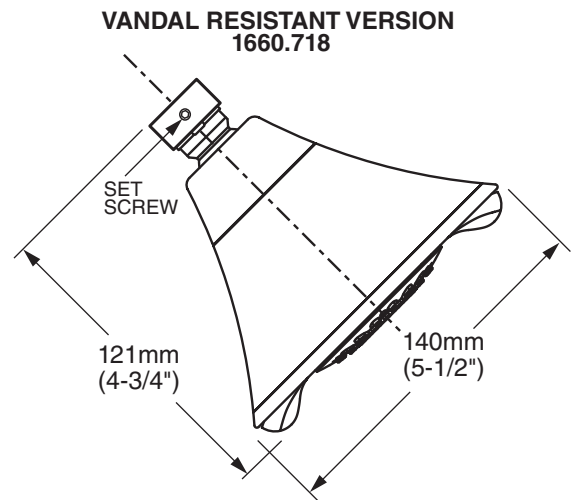
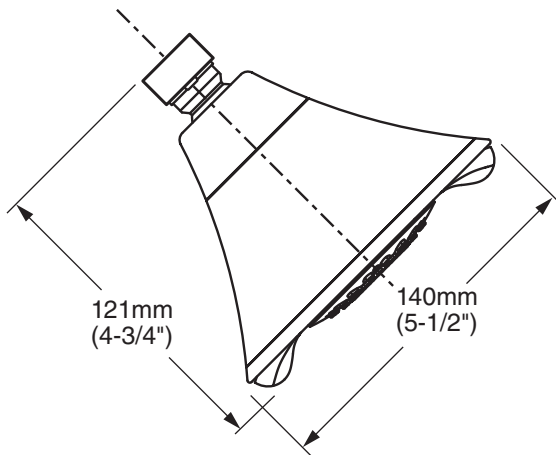




1660.717 Shown

MODEL NUMBER:

- 1660.717 FloWise® Transitional 3-Function Water Saving Showerhead Only
- 1660.718 FloWise® Vandal Resistant Transitional 3-Function Water Saving Showerhead Only



GENERAL DESCRIPTION:

Showerhead adjusts from an Ultra Water Saving Turbine Spray at 1.5gpm to a Combination spray at 2.0gpm to a Full spray at 2.0gpm. Showerhead uses 40% less water when in Ultra Water Saving mode and 20% when in Combination or Full spray modes. Showerhead rated at 2.0gpm/7.6L/min. maximum flow rate. Auto Return feature always returns Showerhead to 1.5gpm Ultra Water Saving mode when water is turned off. Showerhead always starts in Ultra Water Saving mode. Permanent built-in pressure compensating flow control device. Vandal Resistant model includes tamper-proof metal sleeve with set screw to lock showerhead in place.

PRODUCT FEATURES:

- Water Saving:** Saves up to 40% in water usage.
- Auto Return:** Showerhead always starts in ultra water savings mode for maximum water savings of 40%.
- Pressure Compensating Flow Control Device:** Provides consistent flow over a wide pressure range.
- Variety of Spray Patterns:** Allows the user to select the type of spray best suited to their needs.

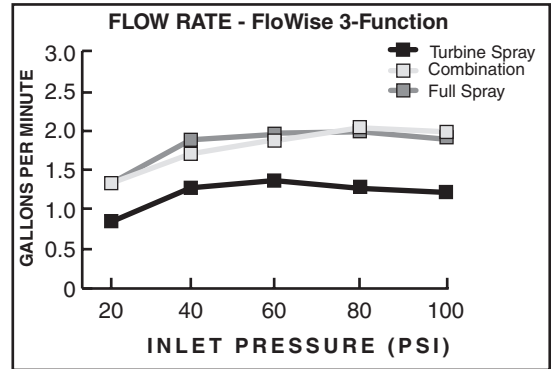
SUGGESTED SPECIFICATION

Showerhead shall save up to 40% in water usage. Showerhead shall always start at 1.5gpm/5.7L/min. and have multiple functions for user's personal selection. Showerhead shall have a permanent pressure compensating control device. Fitting shall be American Standard Model # 1660.7___.

CODES AND STANDARDS

These products meet or exceed the following codes and standards:

ASME A112.18.1
CSA 125.1



Product Number	Description	Finish Options	
		Polished Chrome	PVD Satin Nickel
		002	295
1660.717	FloWise® Transitional 3-Function Water Saving Showerhead Only.		
1660.718	FloWise® Vandal Resistant Transitional 3-Function Water Saving Showerhead Only.		N/A