

SPECIFICATIONS

PARMA™ SINGLE HANDLE POT FILLER

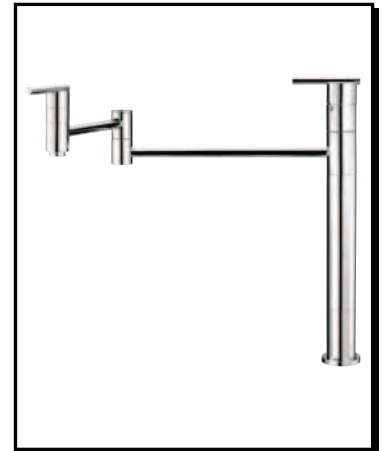
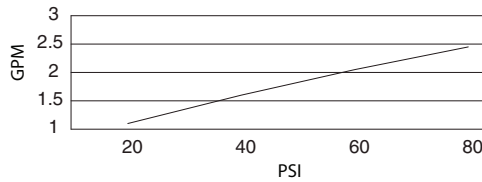
Model

D206558 (Replaces D206058 series)

Description

- Two ceramic disc valves
- 2-piece articulated spout folds out of way when not in use
- Spout height 10" above counter
- Spout reach extends up to 21"
- 3" faucet riser tube included
- Designed for cold water hook up
- Single hole deck mount

Flow Rate



Standards



- NSF 61-9
- Energy Policy Act of 1992

Certified to NSF/ANSI 61 Section 9



NSF/ANSI 372

- ASME A112.18.1M/A112.18.1
- NSF/ANSI 372
- CSA B125.1



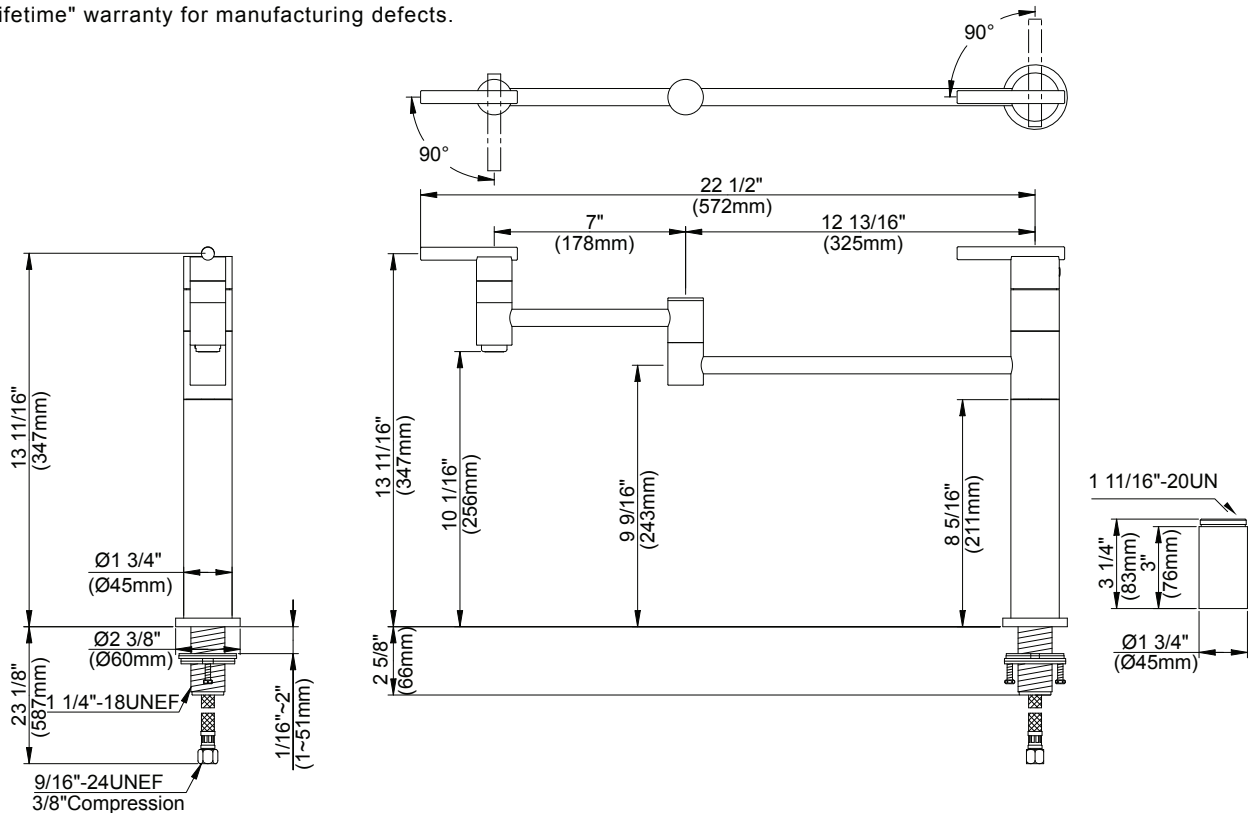
- ADA Accessibility Guidelines for Buildings and Facilities - 4.27.4 Controls and Mechanisms

Finishes Available

- Chrome
- Other: Refer to Price List for additional finish

Warranty

Danze products are covered by a manufacturer's limited "lifetime" warranty for manufacturing defects.



Submittal Information:

Job Name: _____
 Contractor: _____

Location: _____
 Contact #: _____