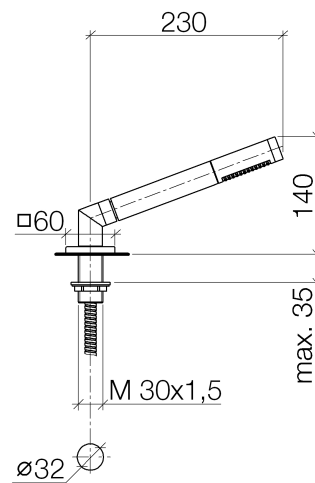
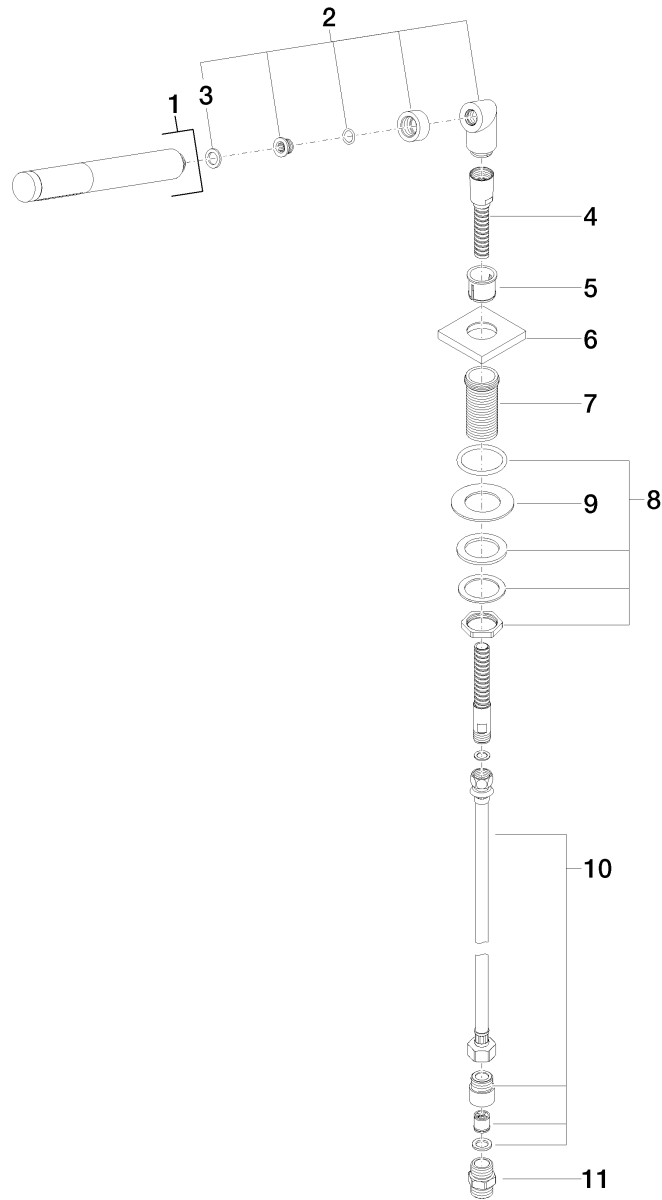


Product specifications

- Hand shower with descaling system and back flow preventer
 - Metal shower hose 88 5/8", consisting of 1 pc. 19 5/8" chrome plated metal hose and 1 pc. 68 7/8" flex line
 - Flange 2 3/8 x 2 3/8"
 - 20° x 1/2" x 1/2" angle
 - Shower hose guide
 - Water flow rate limited to max. 2.38 gpm
- Internal backflow preventer.
(Two part hose design allows for servicing of finished hose from deck surface)



Exploded assembly drawing



Order quantity

No.	Article number	Name	Installation quantity
1	28010979ff	shower	1
2	04240418700ff	nipple	1
3	09142000290	seal	1
4	28322970ff	hose	1
5	09184008590	sleeve	1
6	092768003ff	rosette	1
7	093001090-07	sleeve	1
8	0423100324690	fixing set	1
9	09301106090	disc	1
10	1250597090	hose	1
11	0924031681090	nipple	1

