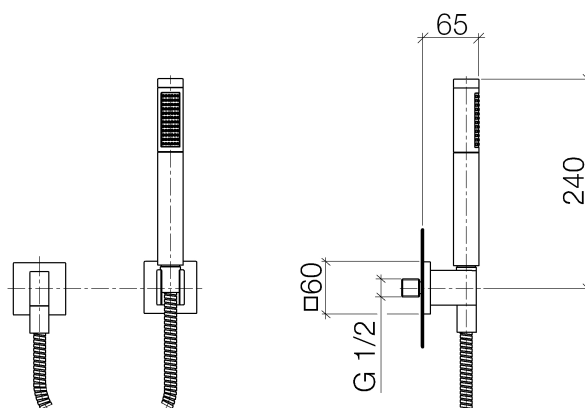




### Product specifications

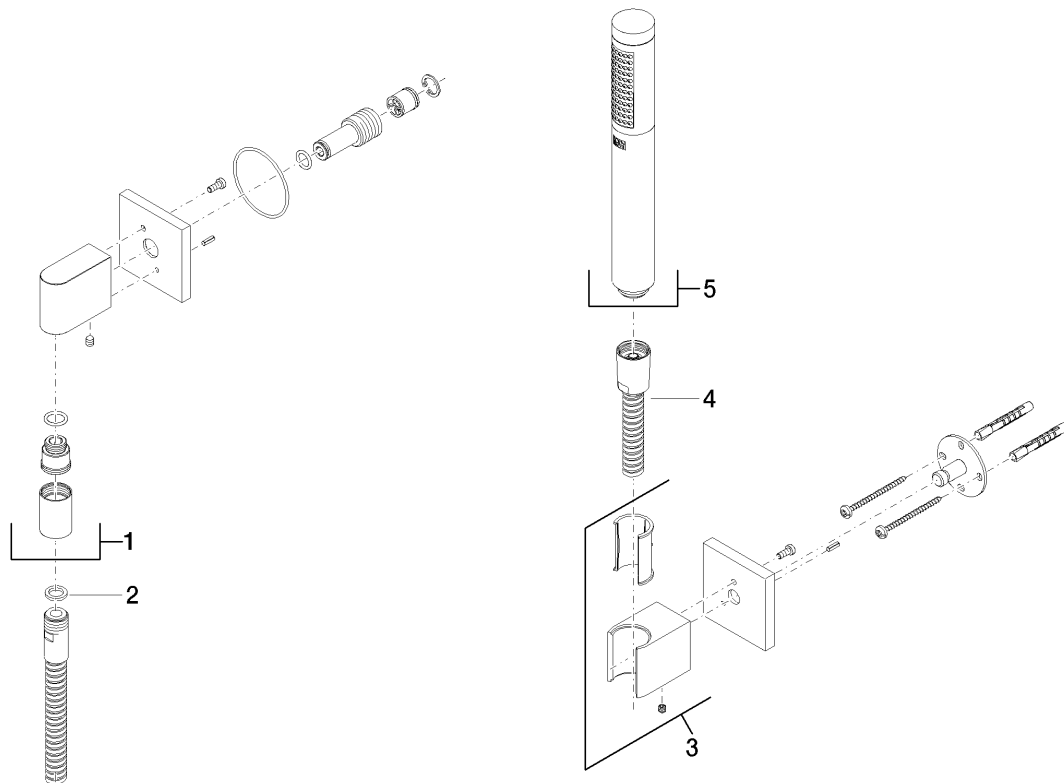
- Hand shower with descaling system and back flow preventer
  - 3/8" shower outlet
  - Hand shower bracket
  - Flange 2 3/8 x 2 3/8"
  - 3/8" x 1/2" x 49 1/4" shower hose with rotating hose connector
  - 1/2" wall elbow with back flow preventer
  - Total height 9 1/2"
  - Water flow rate limited to max. 2 gpm
- Internal backflow preventer.



### Surfaces

- |                 |             |
|-----------------|-------------|
| • chrome        | 27808980-00 |
| • matt platinum | 27808980-06 |

**Exploded assembly drawing**





**Order quantity**

<b>No.</b>	<b>Article number</b>	<b>Name</b>	<b>Installation quantity</b>
1	28450980ff	connection	1
2	09142002690	seal	1
3	28050980ff	holder	1
4	093002072ff	hose	1
5	28010979ff	shower	1

