

SPECIFICATIONS

SIRIUS™ SINGLE HANDLE WALL MOUNT LAVATORY FAUCET

Model

D216044T

Flow Rate

Description

- Ceramic disc valve
- 10" spout length
- Natural water stream
- With metal touch down drain assembly
- 2 hole wall mount, 4" installation
- Use with valve D106900BT
- 1.5gpm (5.7L/min) maximum flow rate @60 psi

Standards



NSF/ANSI 372

• NSF/ANSI 372



• ASME A112.18.1M/A112.18.1



• ADA Accessibility Guidelines for Buildings and Facilities - 309.4 Operation for Operable Parts

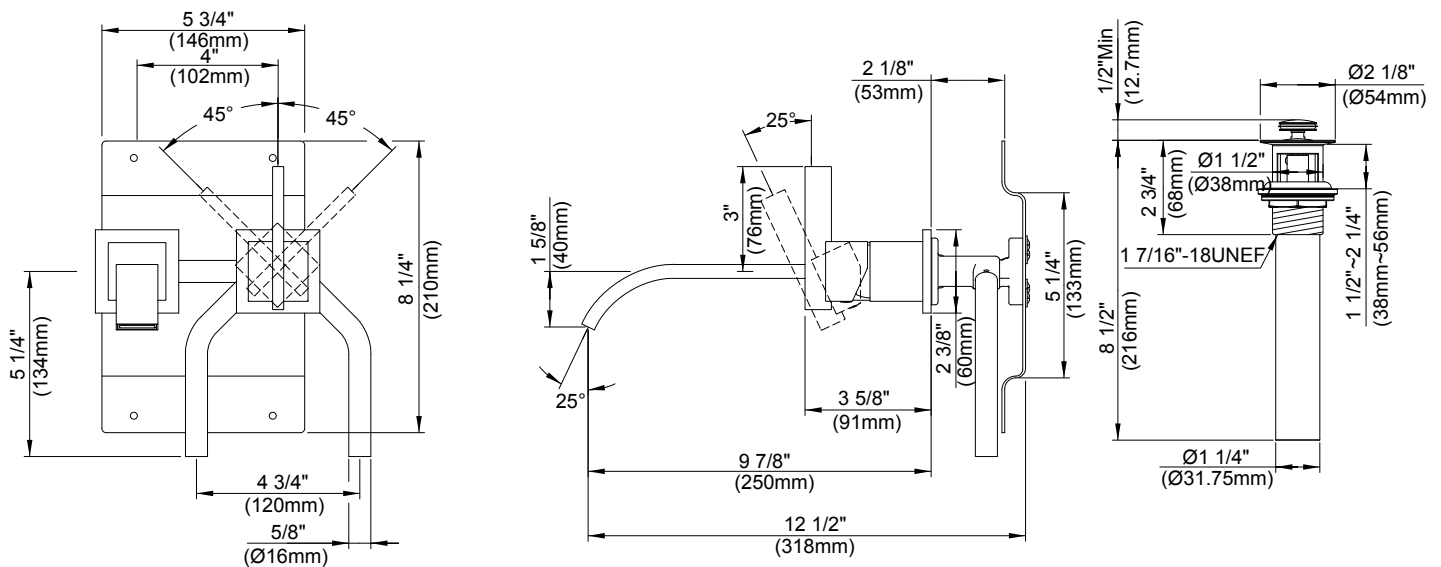


Finishes Available

- Chrome
- Other: Refer to Price List for additional finish

Warranty

Danze products are covered by a manufacturer's limited "lifetime" warranty for manufacturing defects.



Submittal Information:

Job Name: _____
 Contractor: _____

Location: _____
 Contact #: _____