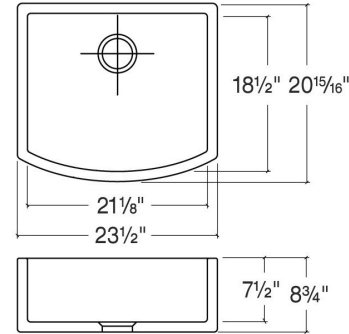


080100 Nantucket

Project name: _____

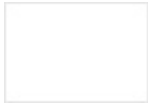
Specifier: _____ Contractor: _____



Features

- Handcrafted in England
- Made from heavy fireclay – Solid throughout
- Up to 40 hours of gradual drying period
- Fired at more than 1200°C – 2200°F
- 30 mm (1-1/8") material thickness *
- 10 mm (3/8") corner radius*
- Rear 3-1/2" drain placement
- Scratch and chip resistant
- Waste disposal unit compatible
- (* dimensions may vary by +/- 2%)

Available colours



White
080100

Standards compliance

- ASME A112.19.2
- CSA B45.0
- CSA B45.1

Optional accessories

- Grid 200249

Sink dimensions

Model	Overall	Bowl	Depth	Cabinet Size*	Drain
080100	23 1/2" x 20.9375"	21 1/8" x 18 1/2"	7 1/2"	27"	3 1/2"

* Cabinet Size is the Recommended Cabinet Size

Product specifications

Sink to be farmhouse single bowl. Sink to be manufactured from heavy fireclay - solid throughout. Sink to be fired at more than 1200C - 2200F. Sink to feature 10mm (1-5/8") corner radiuses & 30mm thickness material. Sink to feature rear 3 1/2" drain placement. Sink to be compatible with waste disposal units. Sink overall dimensions* to be 23 1/2" left-to-right and 20.9375" front-to-back. Bowl dimensions* to be 21 1/8" left-to-right and 18 1/2" front-to-back. Sink to be Julien Nantucket collection model 080100 with bowl depth of 7 1/2". (* dimensions may vary by +/- 2%)

Warranty

Julien inc. offers a 1-YEAR LIMITED WARRANTY against manufacturing defects and a 10-YEAR LIMITED WARRANTY on fading/staining issues on its fireclay sinks. For further details on our product warranty, please refer to our catalog or Web site.