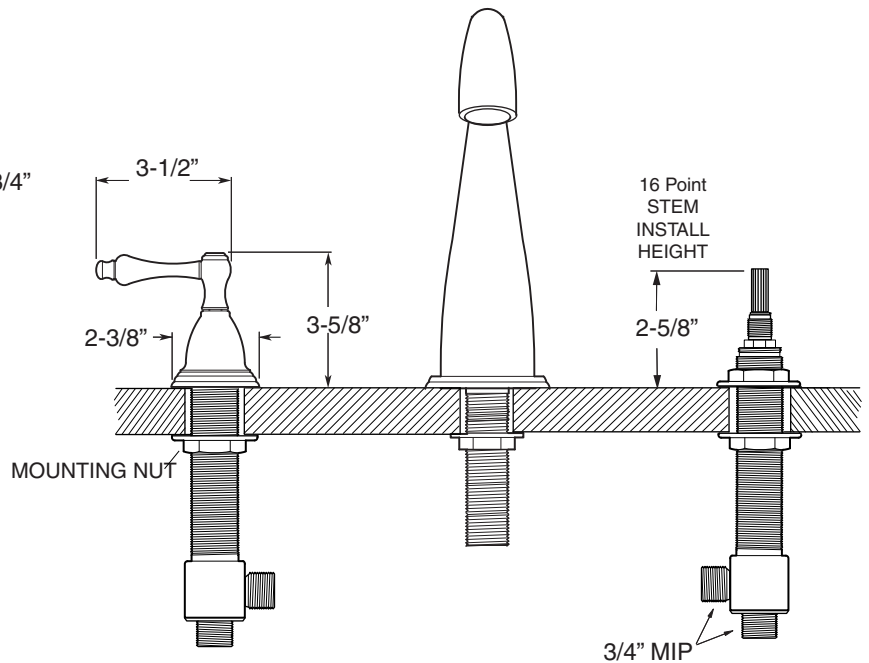
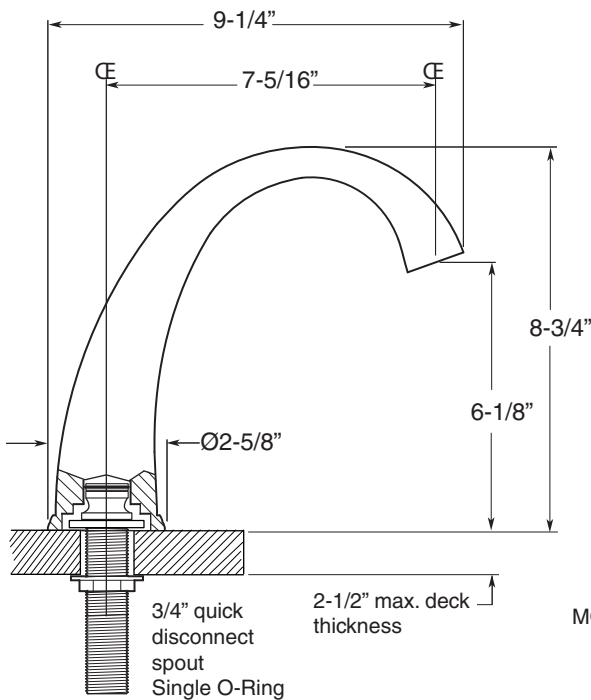


FEATURES:

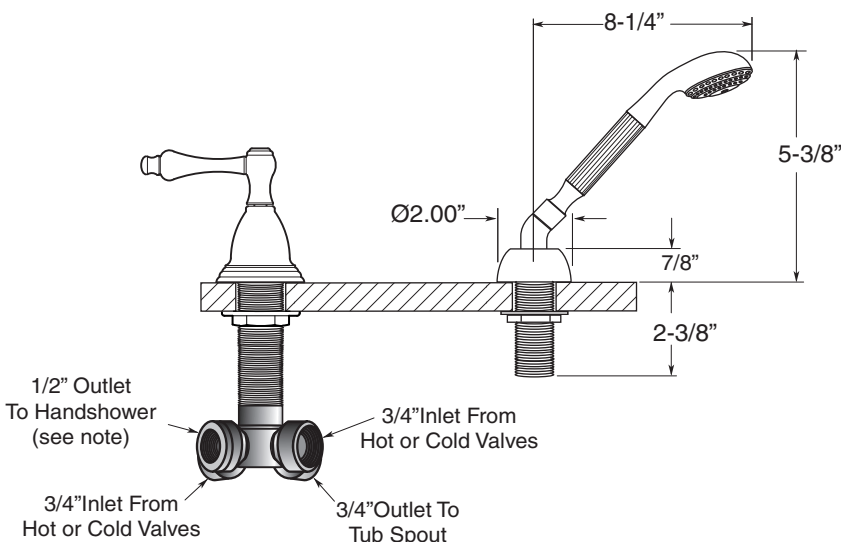
- All brass construction
- Lever style handles with setscrew attachment.
- 3/4" valve bodies with 1/4-turn ceramic disc cartridge.
- Available in all finishes. Warranty varies according to finish selection.
- Certified to meet and exceed the following codes and standards:
ASME A112.18.1-2005/CSAB 125.1-2005

Montreal
Roman Tub Set with Deckmount
Handshower and Diverter
1.201793
(1.201793T - Trim only)



Spout and valves install through 1-1/4" diameter holes.
Plumber to provide 3/4" supply lines to valves

NOTE: 1/2" outlet for in-line vacuum breaker (18.15.055), and 60" chrome spiral hose (18.10.016) - INCLUDED



Note: Measurements are subject to change or cancellation. No responsibility is assumed for use of superseded or voided pages.

Parts List Series 200

Montreal Roman Tub Set with Deckmount Diverter and Handshower

