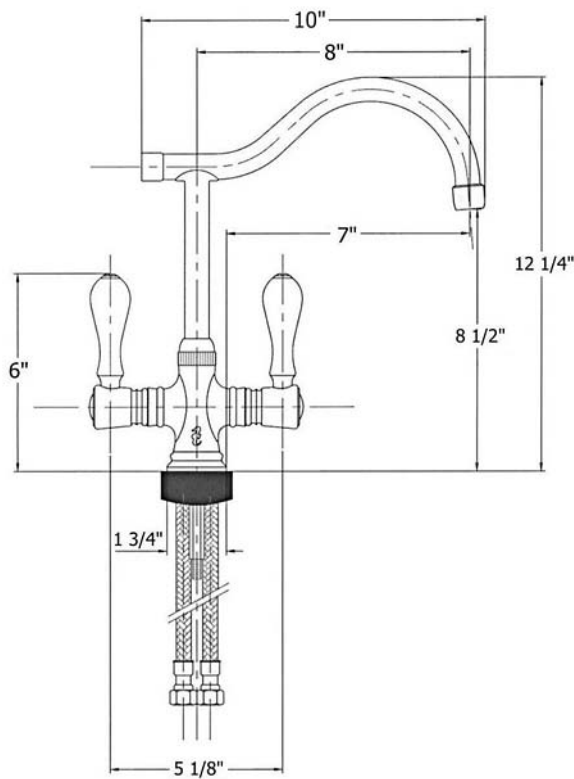


4202 - 'Ostende' Single Hole Mixer



Part	Description
20	Threaded Stem
21	Flat Rubber Washer
22	Brass Horseshoe & Washer
23	Brass Washer
24	Brass Nut
25	Rubber O-Ring
81	Hot ¼ Turn Ceramic Cartridge
82	Cold ¼ Turn Ceramic Cartridge
93	Porcelain Or Wood Handle

Technical Information

- Requires 1 1/4" Hole Drilling
- Flow Rate Is 2.2 GPM
- Available Finishes Are Polished Brass(55), Polished Nickel(56), Brushed Nickel(57), Polished Copper & Brass(58), Weathered Copper & Brass(59) and Satin Nickel(60)
- This Faucet Normally Ships With Ceramic Handles (20). Please Specify When Ordering If You Would Prefer Wood Handles (63)
- Please See Cleaning Instructions For Finish Care And Maintenance Information

Part#	Description
01	Handle Screw
02	Finished Washer
04	Handle Base
05	Handle Elbow
06	Spout
07	Nylon Clip
08	Rubber O-Ring
09	Swan Nut
10	Rubber O-Ring
11	Aerator Washer
12	Aerator Filter
13	Aerator Cover
14	Body
15	Rubber O-Ring
16	Insert
18	3/8" X 12" Flexible Braided Supply Hose With O-Ring
19	O-Ring

Please follow example when ordering parts for 'Ostende' Single Hole Mixer

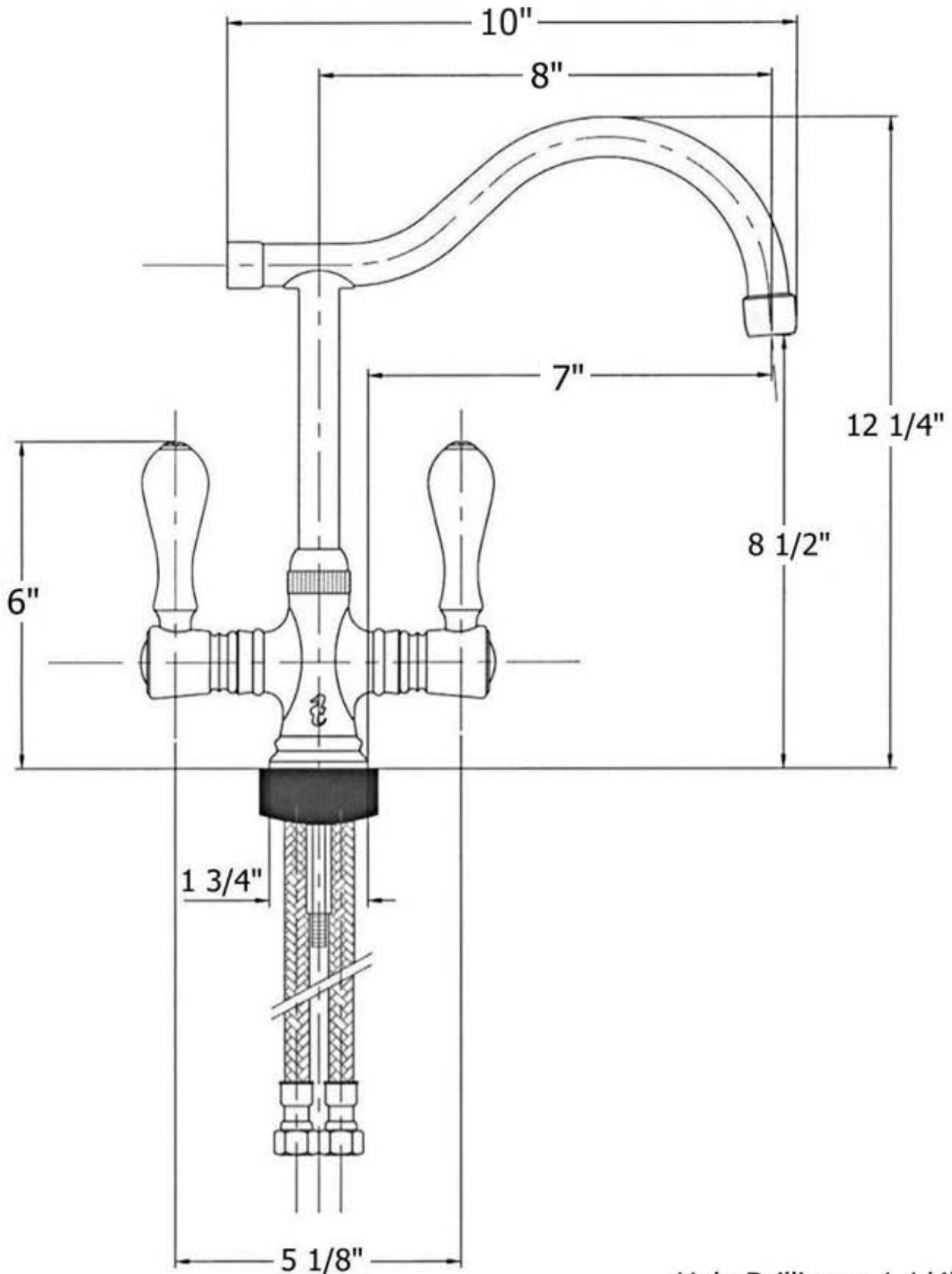
- To order part #01 – Handle Screw
 - 9420201 xx
- Please substitute finish number needed in place of xx.

To order a part that is not finished use 00



Herbeau®
L'Art du Sanitaire depuis 1857

4202 - 'Ostende' Single Hole Mixer



Hole Drilling = 1 1/4"

4202 - 'Ostende' Single Hole Mixer

