

Date:

Client:

Project:

VOLA product: SC13



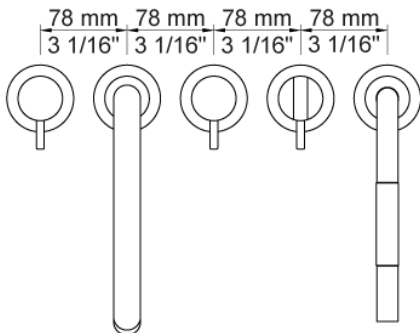
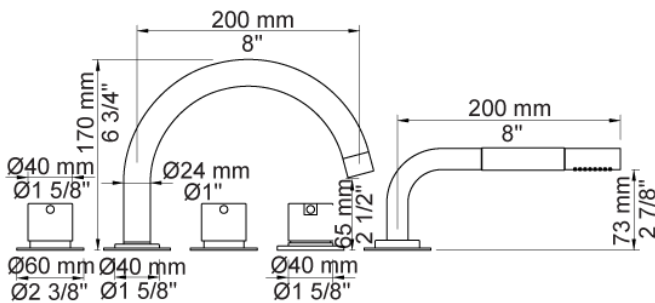
**SC13**

Two-handle mixer S50 with swivel spout 090E, one-handle mixer with hand shower 500T1.

**Flow**

	Bar:	1,0	2,0	3,0	4,0	5,0
T1	(l/min)	5,8	8,2	10,0	11,6	12,9
090E	(l/min)	15,0	21,2	26,0	30,0	30,0
090E <sup>1)</sup>	(l/min)	28,9	40,8	50,0	57,7	64,6

<sup>1)</sup> Strainer VR624E



**Available in colours**

- Color 02, Grey
- Color 04, Light blue
- Color 05, Orange
- Color 06, Light green
- Color 08, Yellow
- Color 09, Dark grey
- Color 12, Mocca
- Color 14, Bright red
- Color 15, Dark blue
- Color 16, Polished chrome
- Color 17, Gloss black
- Color 18, White
- Color 19, Natural brass
- Color 20, Brushed chrome
- Color 21, Carmine red
- Color 25, Pink
- Color 27, Matt black
- Color 40, Brushed stainless steel



Date:

Client:

Project:

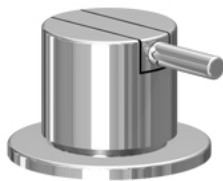
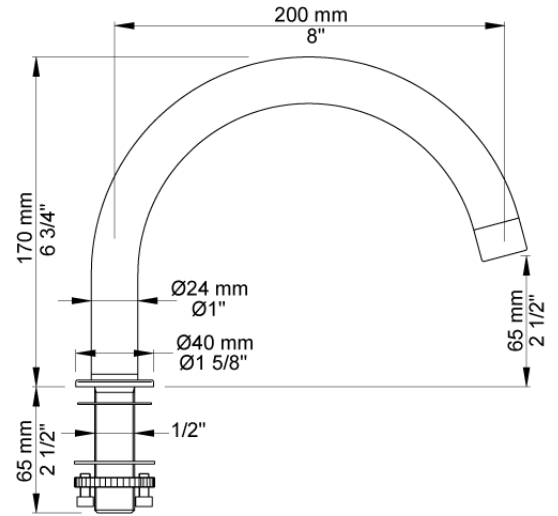
VOLA product: SC13



**090E**

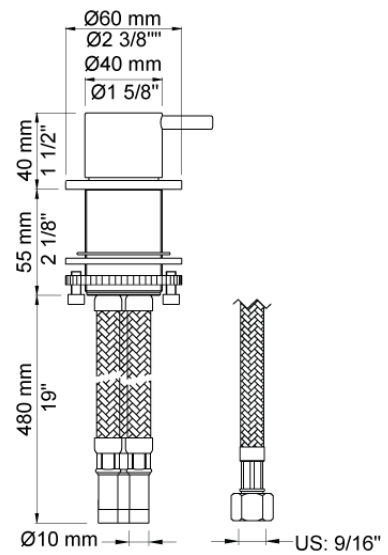
Swivel spout.

Hole cut out size: 21 mm, max. 29 mm.



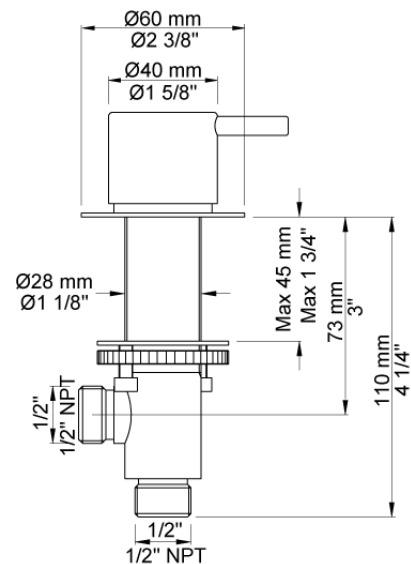
**500**

One-handle table-mounted mixer.



**S50**

Stop valve with 1/4 turn ceramic disc technology. Includes non-return valve and 1/2" inlet/outlet. Hole cut out size: 28 mm max 35 mm.



Date:

Client:

Project:

VOLA product: SC13



**T1**  
Deck mounted pull out hand shower, with 2 m hose.  
Work top: Max. 45 mm.  
Hole cut out size: 28 mm.

