

# TINA BASIN

Cat. No.  
4-551



Faucet not included

## Features:

- ▶ Made of Vitreous China
- ▶ 1-hole on Right, Standard
- ▶ Hole Can be Drilled on Left for \$20 (Will Have 2 holes)
- ▶ Traditional Style
- ▶ Mounting Hardware Included

## Colors:

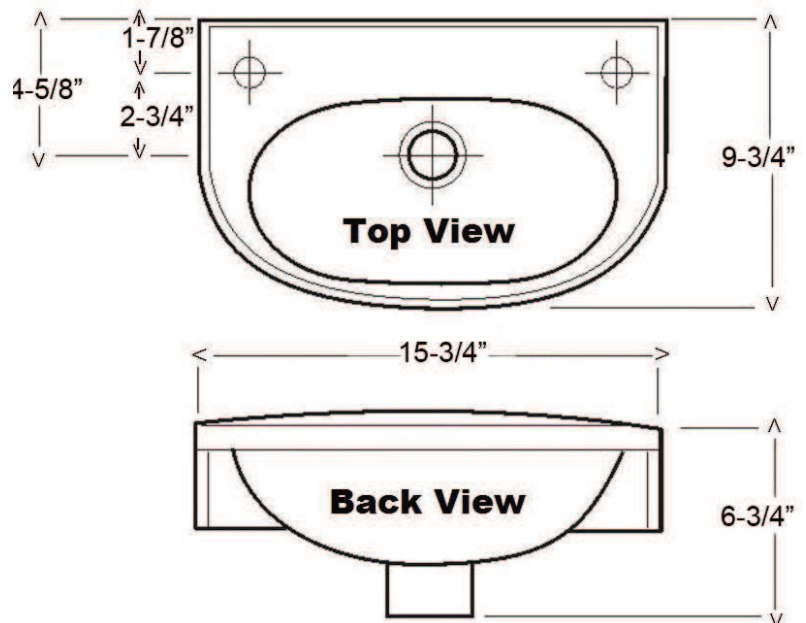
- WH** White
- BQ** Bisque
- BL** Black

Meets or exceeds the following specifications: ASME A112.19.2 2008 and CSA B45.1-08 for ceramic plumbing fixtures.

W: 15 3/4"  
D: 9 3/4"  
H: 6 3/4"  
Flange: 3" x 1 1/2" deep

## Interior Dimensions:

Basin Interior: 12" x 6"  
Basin Depth: 5 1/4"  
Spout hole: 1 3/8"



Dimensions of fixture are nominal and may vary within the range of tolerances established by ASME Standard A112.19.2. Dimensions and specifications subject to change without notice.