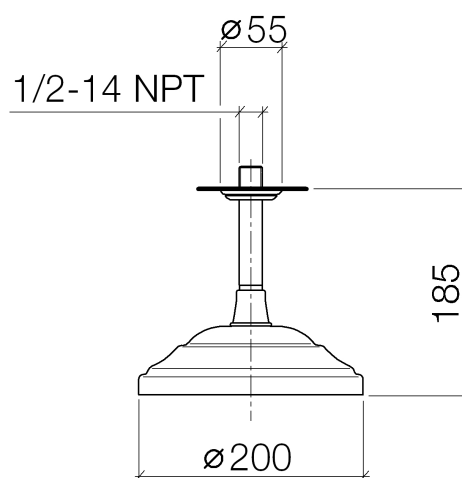




Product specifications

- 7 7/8" diameter shower head with descaling system
- Flange diameter 2 1/8"
- Water flow rate limited to max. 2 gpm
- 1/2" connection
- 7 1/4" distance between ceiling and bottom of showerhead

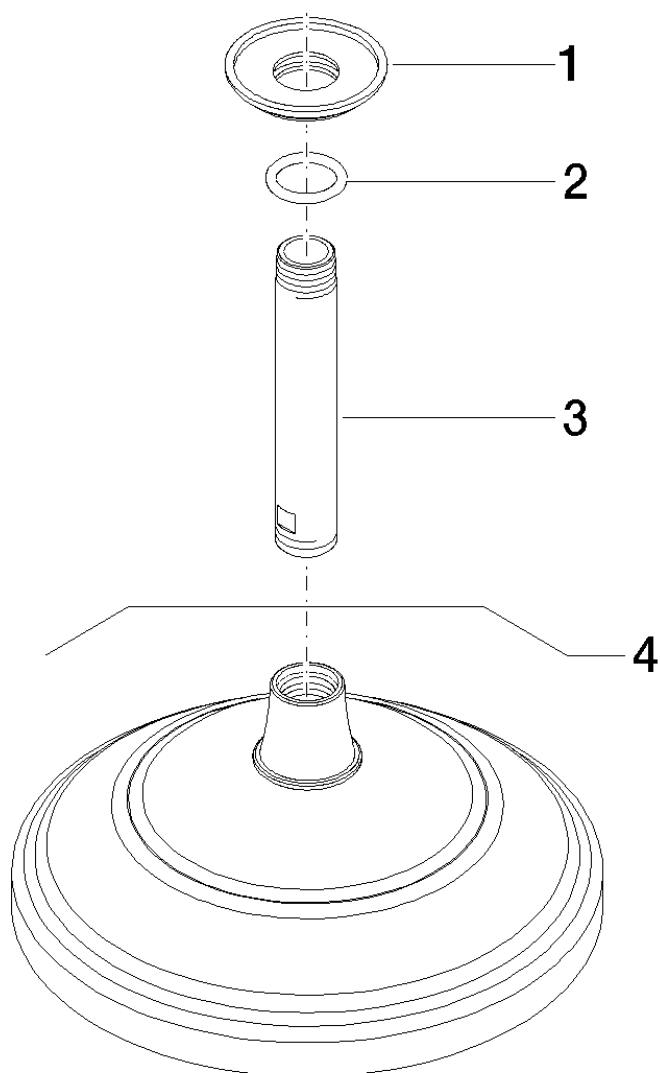




Surfaces

- chrome 28565977-00
- chrome 28565977-00
- matt platinum 28565977-06
- matt platinum 28565977-06
- platinum 28565977-08
- platinum 28565977-08
- brass 28565977-09
- brass 28565977-09

Exploded assembly drawing





Order quantity

No.	Article number	Name	Installation quantity
1	092735003ff	rosette	1
2	09141002690	seal	2
3	091103018ff	connection	1
4	28535977ff	shower	1

